

Parts Catalog

Nautilus Rider

Scrubber/Sweeper

Models: Diesel, Gasoline, & LPG



PREFACE

Thank you for your purchase of the new industry standard for scrubber/sweepers. PowerBoss® takes great pride in offering the most dependable, reliable and best value in industrial power scrubbers and sweepers. We set the standard.

Our Customer Service Department would like to hear from you. If you see any errors, omissions or something that needs clarification in this Parts Catalog please let us know. We are working hard towards continually improving our processes to bring you the best you deserve. Please copy the form below, fill out and comment on how you found our catalog.

Thank you!

*Name _____

*Title: _____

*Company Name: _____

*Address: _____

*Country: _____

Type of equipment or model number: _____

Comments:

*Information is optional.

Please return to:

Customer Service Manager
PowerBoss
14N845 U.S. Route 20
Pingree Grove, Illinois 60140 USA

Phone (800) 323-9420 Toll Free

E-Mail - tech@powerboss.com

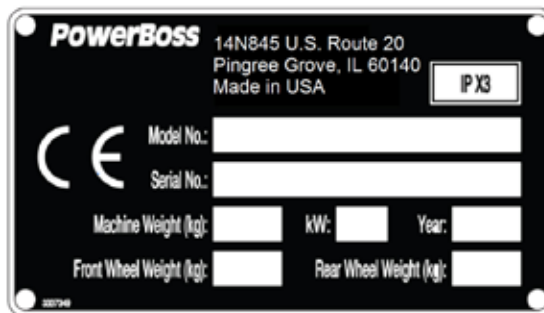
This is the Parts Catalog for the PowerBoss® Nautilus Scrubber/Sweeper. This catalog covers all Standard Nautilus machine variations beginning April 2014. We believe this machine will provide excellent service for many years. However, the best results will be obtained if:

- The machine is operated with reasonable care.
- The machine is maintained regularly per the maintenance schedule provided in the User Manual.
- The machine is maintained with PowerBoss® supplied or equivalent parts.

All right side and left side references to the machine (except for engine) are determined by facing the direction of forward travel. The front of the engine or engine fan faces the front of the machine. Some hardware considered to be common or locally available has been omitted from the parts section to make this manual clear. Be sure to use equivalent hardware when replacement becomes necessary.

The Model and Serial Number of your machine is shown on the I.D. name plate. This information is needed when contacting Technical Support or when ordering parts. The I.D. plate is mounted on the left side wall of the operator seating area.

Example I.D Plate:



Parts may be ordered by phone, fax or e-mail from any PowerBoss® parts and service center. Before ordering parts or supplies, be sure to have your machine model number and serial number handy. For your convenience Fill out the data block below for future reference.

<p>MACHINE DATA Fill out at installation</p>	
Serial Number:	_____
Engine Serial Number:	_____
Sales Rep.:	_____
Date of Install:	_____

All information contained in this catalog is current at the time of printing However, PowerBoss® reserves the right to make changes at any time without notice.

PowerBoss®, Copyright 2014, Printed in USA

TECHNICAL SPECIFICATIONS

Model Nautilus Rider Scrubber/Sweeper
 Model No. PB450DSL, PB450GAS, PB450LPG

GENERAL MACHINE SPECIFICATIONS

Length:95.00 in
 Width with side scrub brush retracted: . .60.50 in
 Width with side scrub brush extended: . .65.50 in
 Height to lowest steering position60.50 in
 Height w/overhead guard83.50 in
 Wheelbase:47.75 in
 Front tires:16 in x 6 in molded
 Rear tires:18 in x 5 in press on
 Aisle width U-turn:8 ft - 11.7 in
 Empty vehicle weight3,250 lbs
 Gross vehicle weight4,800 lbs
 Maximum forward speed:7.7 mph
 Maximum reverse speed:4.0 mph
 Maximum climb angle (Traveling):10 degrees
 Maximum climb angle (Scrubbing):8 degrees

SCRUBBING SYSTEM

Cleaning path (main brushes)45 in
 Cleaning path (w/optional side brush) . .60 in
 Main brush diameter:12 in
 Main brush length:45 in
 Main brush speed:425 RPM
 Main brush force:200 lb - 400 lb
 Side scrub brush diameter:16 in
 Side scrub brush speed:200 RPM
 Solution Tank capacity:105 gal
 Recovery Tank capacity:105 gal
 Demister chamber capacity:17 gal
 (2) Debris trays, total capacity:2.1 cu ft
 Vacuum fan speed:11,500 RPM
 Vacuum water lift:35 in

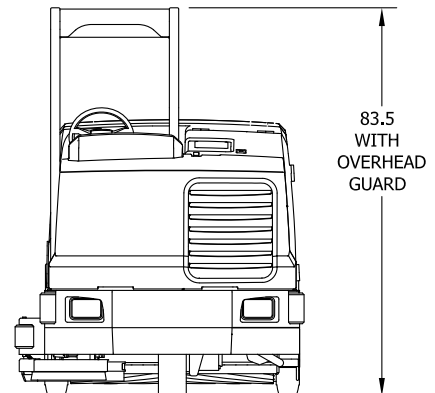
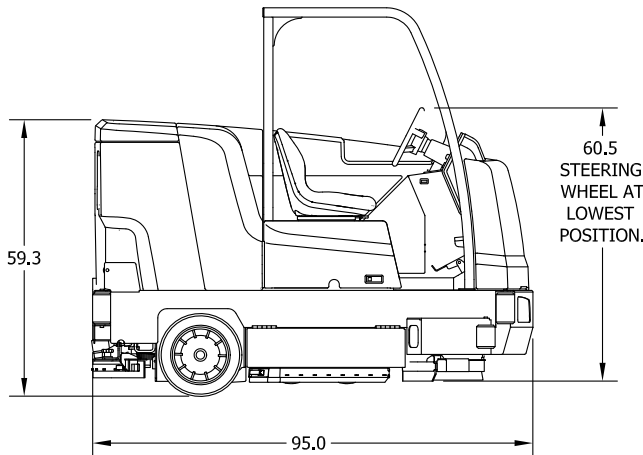
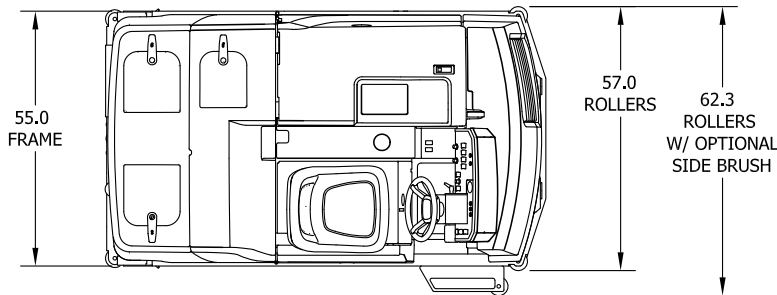


TABLE OF CONTENTS

PREFACE 2

TECHNICAL SPECIFICATIONS 4

TABLE OF CONTENTS 5

 FRAME GROUP (730100) 8

 BRAKE GROUP (730101) 10

 REAR WHEEL GROUP (730105) 12

 FRONT WHEEL GROUP (730102) 14

 STEERING FORK GROUP (730103) 16

 CONSOLE GROUP (730152) 18

 STEERING COLUMN GROUP (730104) 20

 INSTRUMENT PANEL GROUP - DIESEL (730108) 22

 INSTRUMENT PANEL GROUP - GAS (730107) 24

 INSTRUMENT PANEL GROUP - LPG (730106) 26

 INSTRUMENTATION GROUP (730109) 28

 ELECTRICAL BOX GROUP - DIESEL (730156) 30

 DIRECTIONAL CONTROL GROUP (730110) 32

 PUMP LINKAGE GROUP (730111) 34

 SCRUB HEAD GROUP (730112) 36

 SCRUB BRUSH LIFT GROUP (730113) 38

 SCRUB BRUSH IDLER GROUP (730114) 40

 BRUSH DOOR GROUP (730115) 42

 SQUEEGEE LIFT GROUP (730119) 44

 SQUEEGEE LINKAGE GROUP (730158) 46

 SQUEEGEE GROUP (730118) 48

 SIDE SQUEEGEE GROUP - RH (730120) 50

 SIDE SQUEEGEE GROUP - LH (730157) 52

 SOLUTION TANK GROUP (730121) 54

 SOLUTION CONTROL GROUP (730123) 56

 RECOVERY TANK GROUP (730122) 58

 RECOVERY TANK DRAIN GROUP (730155) 60

 HOPPER GROUP (730124) 62

 PLASTIC HOPPER GROUP (730173) 64

 HOPPER CRADLE GROUP (730174) 66

 REAR BUMPER GROUP (730125) 68

 BUMPER LIFT GROUP (730159) 70

 IMPELLER GROUP (730126) 72

IMPELLER HYDRAULIC MANIFOLD GROUP (730172)	74
HYDRAULIC RESERVOIR GROUP (730127)	76
HYDRAULIC PUMP GROUP (730136)	78
HYDRAULIC VALVE GROUP (730137)	80
HYDRAULIC MANIFOLD COMPONENTS GROUP (730170)	82
ENGINE MOUNT GROUP - DIESEL (730128)	84
ENGINE MOUNT GROUP - GAS (730164)	86
ENGINE MOUNT GROUP - LPG (730163)	88
AIR CLEANER GROUP - DIESEL (730131)	90
AIR CLEANER GROUP - GAS (730129)	92
AIR CLEANER GROUP - LPG (730130)	94
RADIATOR GROUP (730132)	96
RADIATOR OVERFLOW BOTTLE GROUP (730133)	98
OIL COOLER GROUP (730134)	100
EXHAUST GROUP - DIESEL (730154)	102
EXHAUST GROUP - GAS & LPG (730135)	104
FUEL TANK MOUNT GROUP - DIESEL (730140)	106
FUEL TANK MOUNT GROUP - GAS (730139)	108
FUEL TANK MOUNT GROUP - LPG (730138)	110
FUEL LINE GROUP - DIESEL (730153)	112
FUEL COMPONENT LINE GROUP (730141)	114
THROTTLE SOLENOID GROUP - DIESEL (730151)	116
BATTERY GROUP (730142)	118
FRONT COVER GROUP (730143)	120
TOP COVER GROUP (730144)	122
SIDE DOOR GROUP (730145)	124
SEAT DOOR GROUP (730146)	126
SEAT MOUNT GROUP (730147)	128
HYDRAULIC HOSE GROUP (730148)	130
HOSE CLAMP GROUP (730149)	132
DECAL/OVERLAY GROUP (730150)	134

OPTION GROUPS **136**

 OPTION SIDE BRUSH GROUP (730000) 136

 OPTION SIDE BRUSH LIFT GROUP (730001) 138

 SIDE BRUSH HYDRAULIC HOSE GROUP (730011) 140

 OPTION SIDE BRUSH SOLUTION CONTROL GROUP (730002) 142

 OPTION OVERHEAD GUARD GROUP (730003) 144

 OPTION STROBE LIGHT (ON OVERHEAD GUARD) GROUP (730004) 146

 OPTION ROTATING LIGHT (ON OVERHEAD GUARD) GROUP (730005)..... 148

 OPTION FLASHING LIGHT (ON OVERHEAD GUARD) GROUP (730006)..... 150

 OPTION SUSPENSION SEAT GROUP (730007)..... 152

 OPTION BACKUP ALARM GROUP (730008) 154

 OPTION STROBE LIGHT (ON SOLUTION TANK) GROUP (730012) 156

 OPTION ROTATING LIGHT (ON SOLUTION TANK) GROUP (730013) 158

 OPTION FLASHING LIGHT (ON SOLUTION TANK) GROUP (730014) 160

 OPTION CHEMICAL METERING GROUP (730015) 162

 OPTION FIRE EXTINGUISHER GROUP (730016) 164

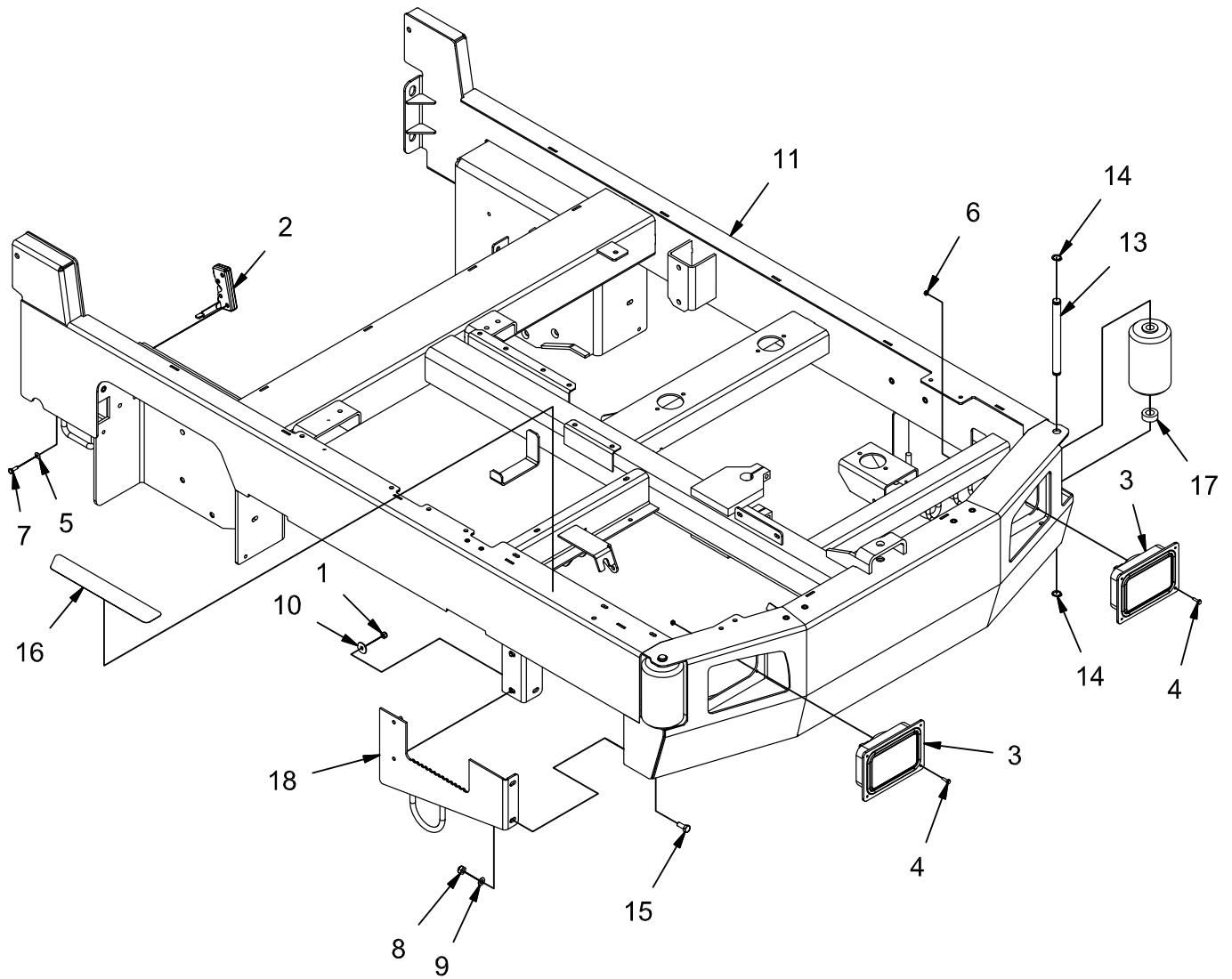
 OPTION STAINLESS STEEL HOPPER GROUP (730027) 166

ELECTRICAL SCHEMATIC LAYOUT **168**

HYDRAULIC SYSTEM LAYOUT **170**

WARRANTY **171**

FRAME GROUP (730100)

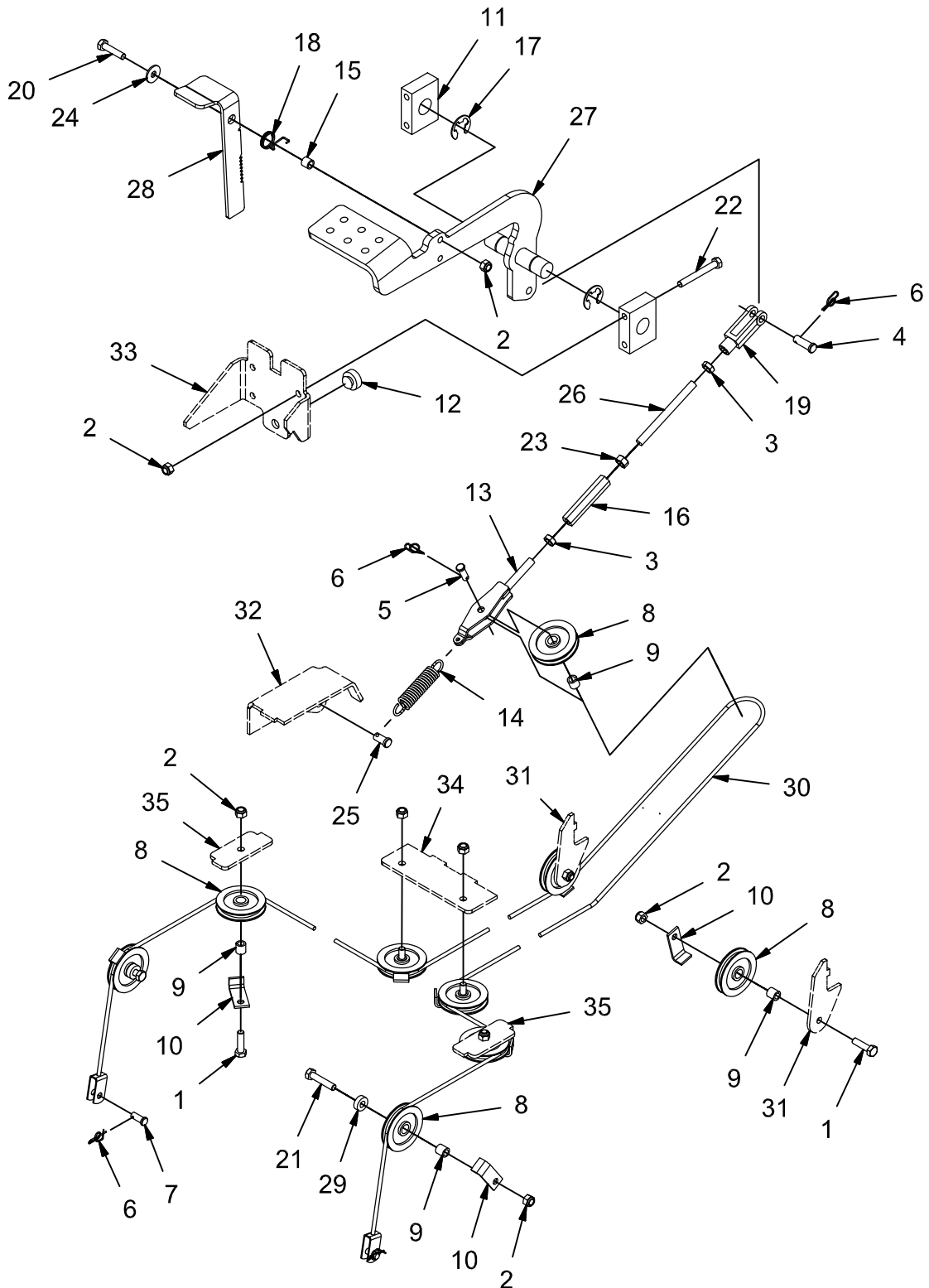


REV E

FRAME GROUP (730100)

Parts List 730100			
ITEM	PART NUMBER	QTY	DESCRIPTION
1	12040259	2	NUT, M8-1.25 ESN SS
2	3307247	1	LATCH, RH
3	3315839	2	HEADLIGHT 12V
4	3400044	8	SCR-HEX,#10-32 X 0.75 ZP
5	3400383	4	WASHER, 1/4 BELLEVILLE
6	711350	8	NUT, 10-32, ESN
7	712562	4	SCREW, 1/4-20 X .75 HH SS
8	730339	2	NUT, M10-1.50 ESN SS
9	730344	2	WASHER, M10 SS
10	730526	2	WASHER, M8 FENDER SS
11	730550-1	1	ASSEMBLY, FRAME
12	730719	2	ROLLER
13	730876	2	PIN, ROLLER
14	730877	4	RETAINING RING, EXT, .750
15	730958	2	BOLT, M10-1.50 X 25 HH SS
16	730967	1	PAD, STEP
17	730975	2	SPACER, .813 B 1.50 OD .56 T
18	730978	1	ASSEMBLY, COVER

BRAKE GROUP (730101)

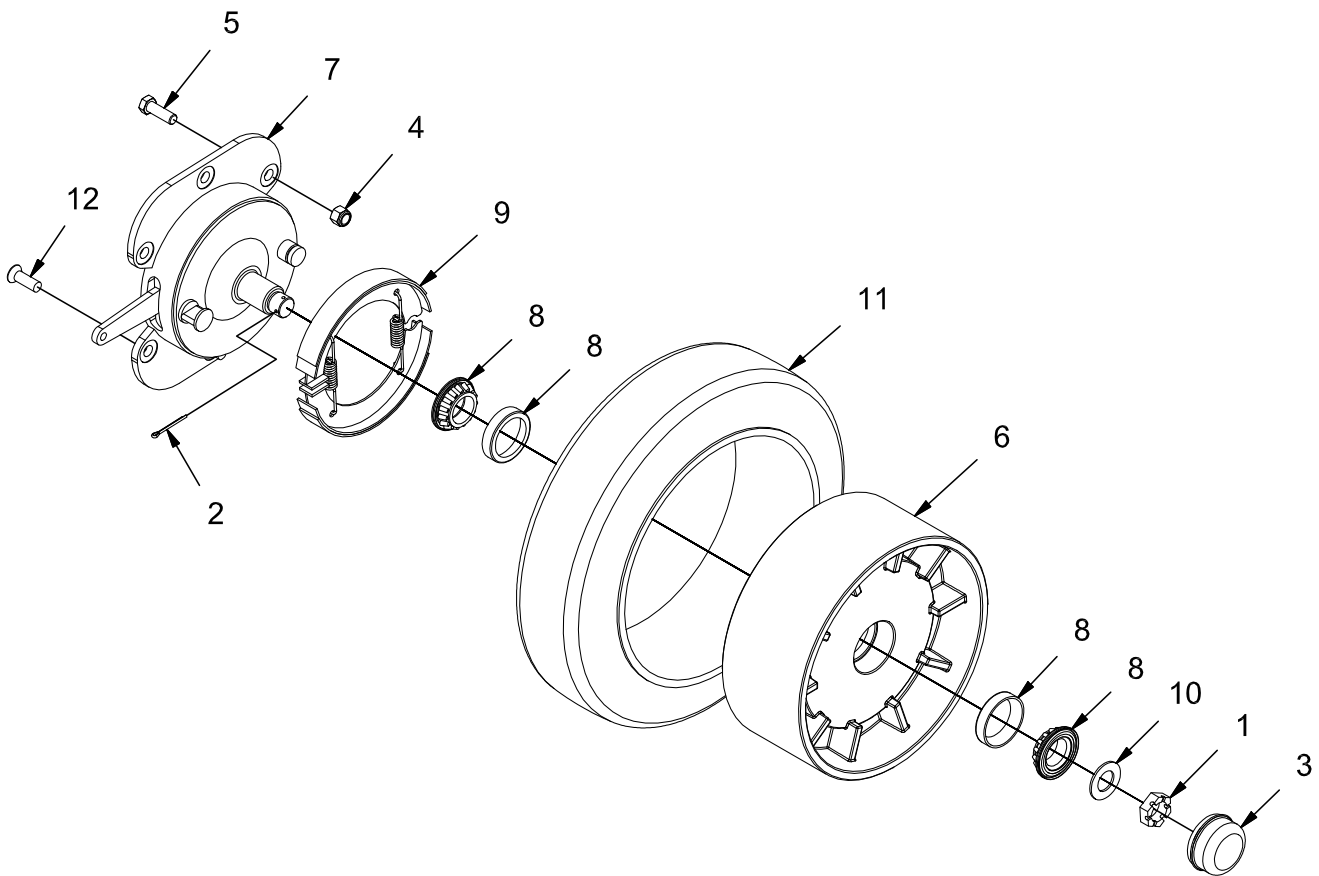


REV *

BRAKE GROUP (730101)

Parts List 730101			
ITEM	PART NUMBER	QTY	DESCRIPTION
1	11038254	6	BOLT, M8-125 X 30 HH
2	12040051	13	NUT, M8-1.25 ESN
3	3400075	2	NUT, HEX JAM 3/8-24
4	3400117	1	PIN, CLEVIS 3/8 X 1.125
5	3400118	1	PIN, CLEVIS, .313 X .88
6	3400125	4	RUE-RING, .375
7	450034	2	PIN, CLEVIS, .313 X .75
8	600113	9	PULLEY, .50 B, 2.00 D, .44 T
9	600114	9	SPACER, .328 B .498 OD .500 T
10	600115	8	RETAINER, CABLE
11	600116	2	BLOCK, BRAKE PIVOT
12	600117	1	BUMPER, 1.00 X .339 T
13	600121	1	CLEVIS, BRAKE PULLEY
14	600127	1	SPRING, EXT, .105 W .75 OD 3.50 L
15	600315	1	SPACER, .344 B .485 OD .425 T
16	600338	1	TURNBUCKLE, .375
17	600570	2	E-RING, .88
18	600809	1	SPRING, TORSION
19	600813	1	CLEVIS, 3/8-24
20	600918	1	BOLT, M8-125 X 35 HH
21	600919	2	BOLT, M8-1.25 X 40 HH
22	600921	4	BOLT, M8-1.25 X 65 HH
23	600938	1	NUT, 3/8-24 LH
24	600940	1	WASHER, M8 FENDER
25	711679	1	PIN, CLEVIS, .375 X .75
26	730369	1	ROD, BRAKE ADJ
27	730370	1	WELDMENT, BRAKE PEDAL
28	730372	1	PEDAL, PARKING BRAKE
29	730374	2	SPACER, .344 ID .75 OD .25 T
30	730375	1	CABLE, BRAKE
31	REF.	-	FRAME
32	REF.	-	FRAME
33	REF.	-	CONSOLE
34	REF.	-	FRAME
35	REF.	-	FRAME

REAR WHEEL GROUP (730105)

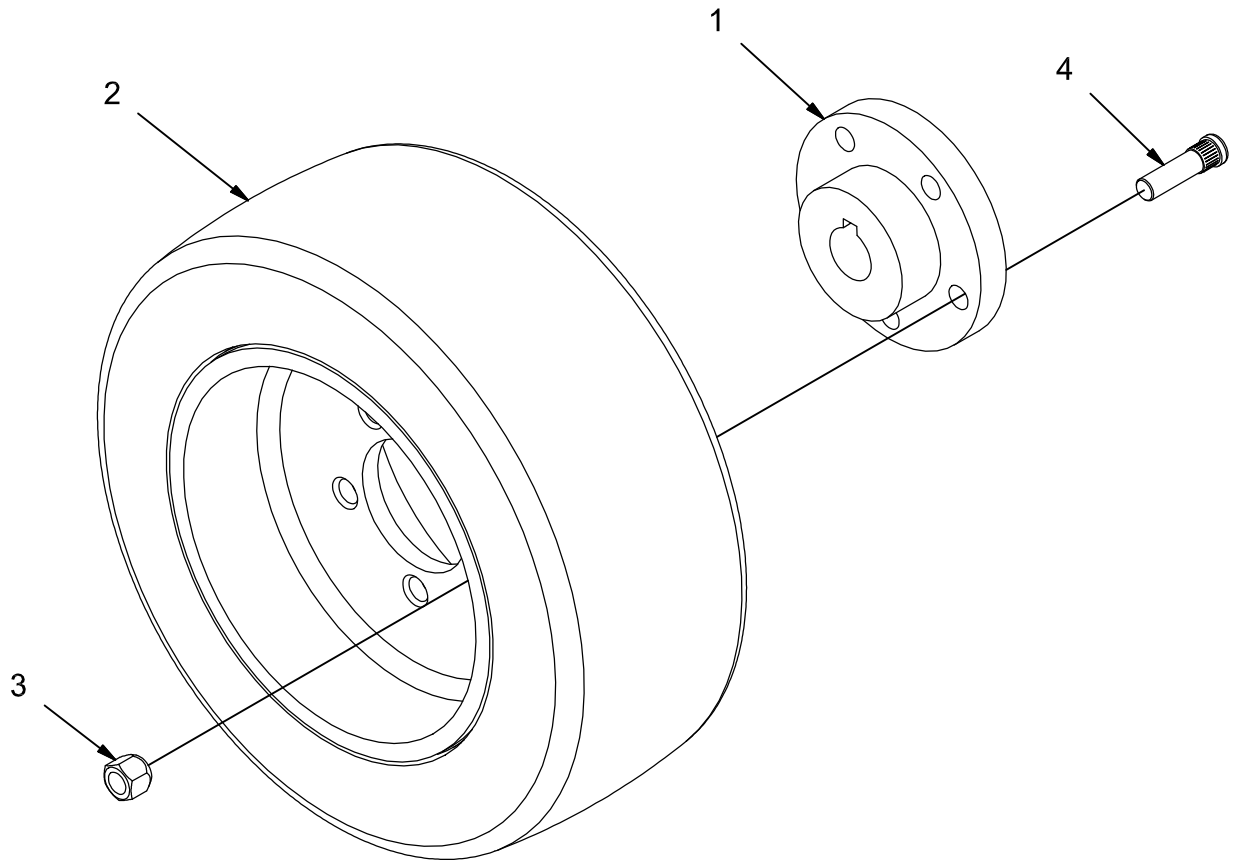


REV *

REAR WHEEL GROUP (730105)

Parts List 730105			
ITEM	PART NUMBER	QTY	DESCRIPTION
1	3400223	2	NUT, 1-20 SLOTTED ZP
2	380-632-20	2	PIN, COTTER .125 X 1.50 ZP
3	383250	2	GREASE CAP
4	711376	12	NUT, FIBER INSERT 1/2-13
5	712047	6	SCREW, 1/2-13 X 1.50 HHC
6	730314	2	RIM, 18"
7	730316	2	ASSEMBLY, BRAKE-AXLE
8	730353	4	BEARING SET, 1.38 BORE CUP AND CONE
9	730357	-	BRAKE SHOE REPLACEMENT KIT
10	730358	2	SPACER, 1.03 B 1.88 OD .105 T
11	730359	2	TIRE, PRESS ON, 18 X 5
12	731100	6	SCREW, .50-13 x 1.50 FHCS ZP

FRONT WHEEL GROUP (730102)

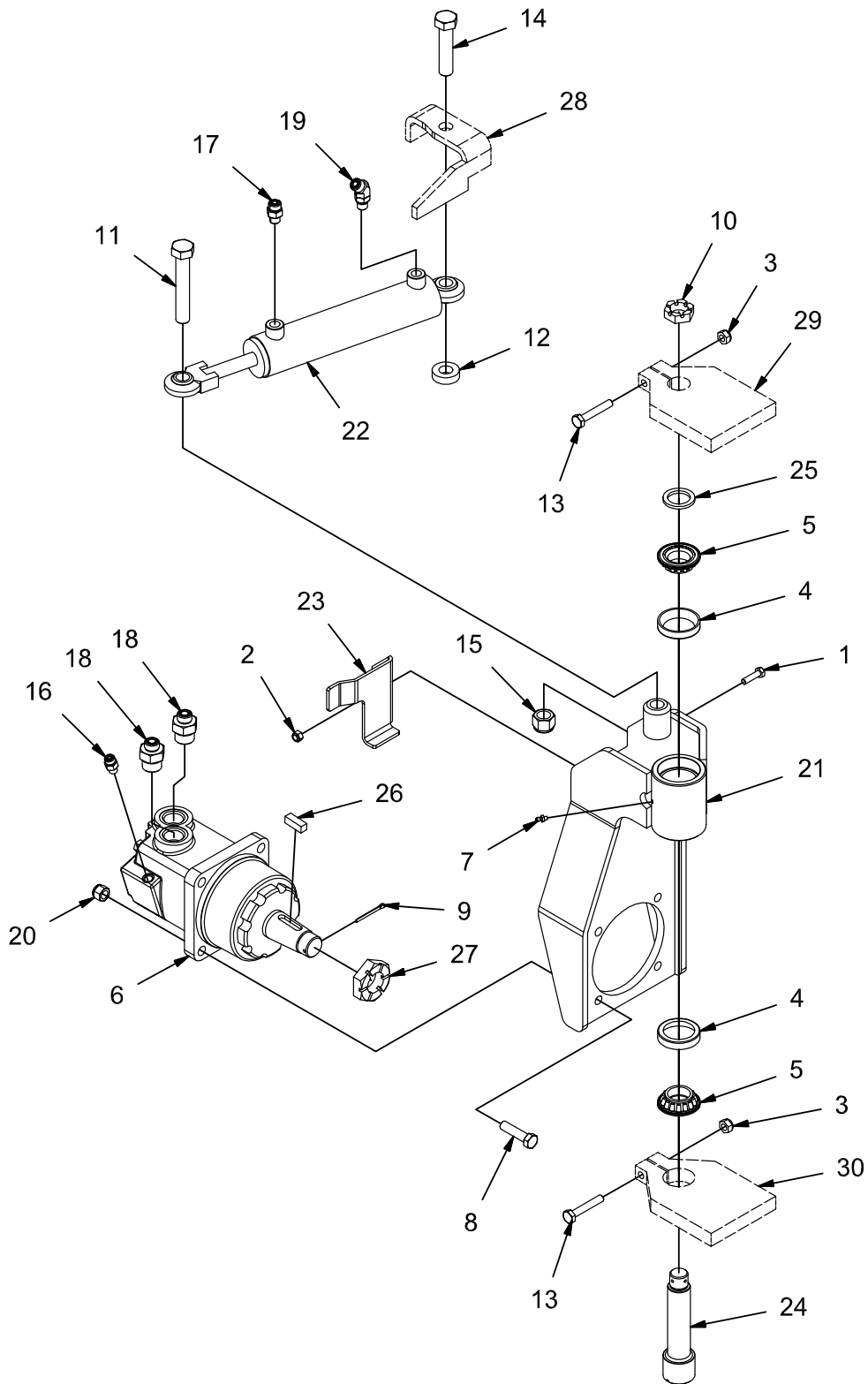


REV *

FRONT WHEEL GROUP (730102)

Parts List 730102			
ITEM	PART NUMBER	QTY	DESCRIPTION
1	3316056	1	HUB, REAR WHEEL PNTD FULL
2	3316330	1	ASSEMBLY, TIRE AND RIM 16" PRESS-ON
3	3316057	5	NUT, LUG, 9/16-18
4	3316059	5	STUD, WHEEL

STEERING FORK GROUP (730103)

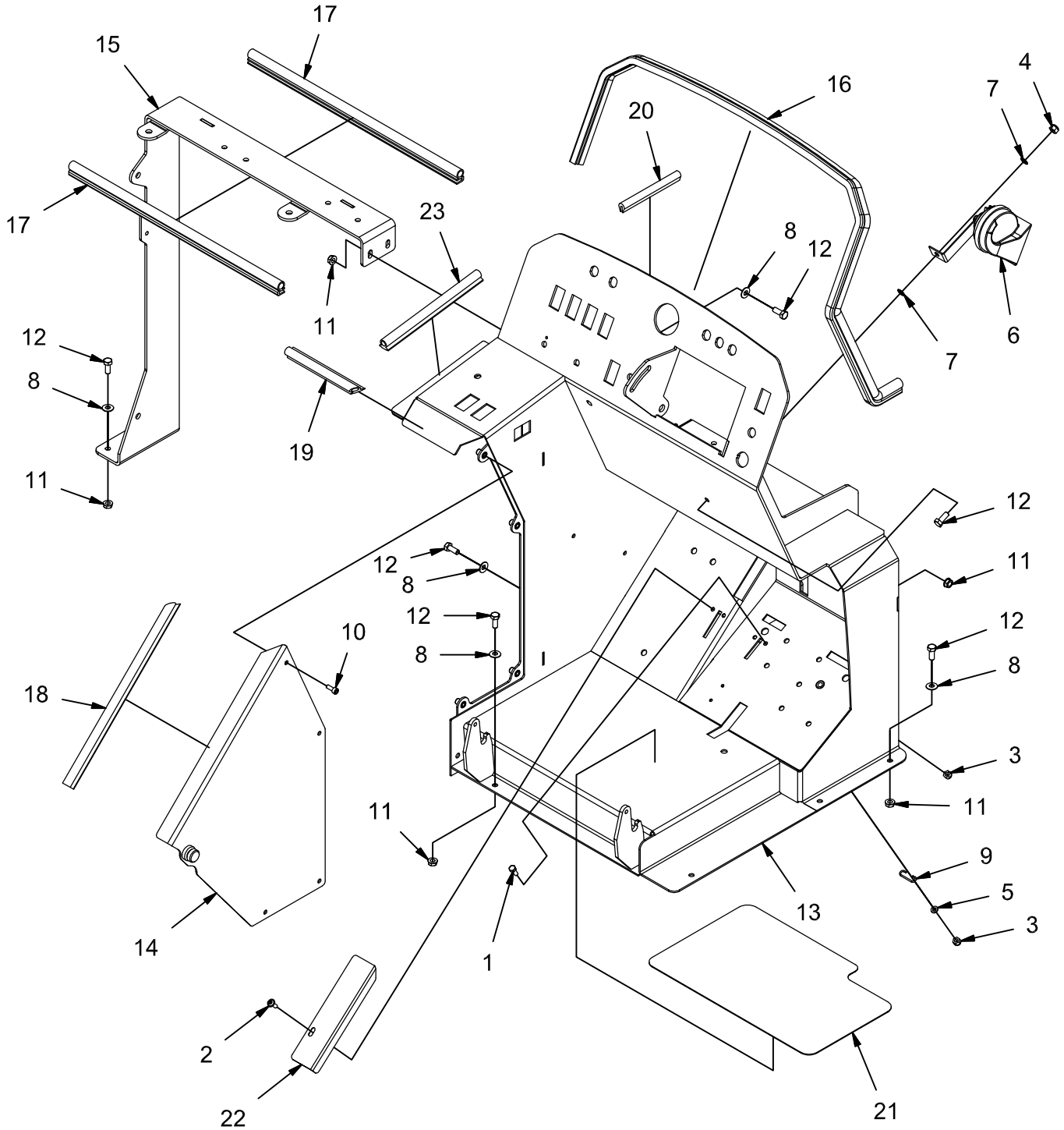


REV 3

STEERING FORK GROUP (730103)

Parts List 730103			
ITEM	PART NUMBER	QTY	DESCRIPTION
1	11038254	1	BOLT, M8-125 X 30 HH
2	12040051	1	NUT, M8-1.25 ESN
3	12040069	2	NUT, M10-1.50 ESN
4	3300470	2	BEARING, PIVOT BEARING - CUP
5	3300471	2	BEARING - CONE W/SEAL
6	3305108	1	MOTOR, HYD. WHEEL
7	3400012	1	GREASE ZIRK
8	3400020	4	BOLT, 1/2-13 X 2.00 HH
9	3400122	1	COTTERPIN .125 X 2.00
10	3400223	1	NUT, 1-20 SLOTTED ZP
11	3400457	1	BOLT, 3/4-10 X 4.50 HH STL ZP
12	600328	1	SPACER, .766 B 1.50 OD .438 T
13	600925	2	BOLT, M10-1.50 X 60 HH
14	600932	1	BOLT, 3/4-10 X 3.25 HH
15	620059	1	NUT, 3/4-10 FIBER INSERT STL ZP
16	675508	1	FITTING, STR, 4 ORFS - 4-SAE
17	675515	1	FITTING, STR, 6 ORFS - 6 SAE
18	675542	2	FITTING, STR, 8 ORFS - 12 SAE
19	675552	1	FITTING, 45, 6 ORFS - 6 SAE
20	711376	4	NUT, FIBER INSERT 1/2-13
21	730300	1	WELDMENT, STEERING FORK
22	730307	1	CYLINDER, STEERING
23	730312	1	RETAINER, HOSE
24	730351	1	PIN, PIVOT
25	730352	1	SPACER, 1.255 B 1.75 OD .166 T
26	PART OF 3305108	1	KEY .44 SQ X 1.25
27	PART OF 3305108	1	NUT 1.25-18
28	REF.	-	FRAME
29	REF.	-	FRAME
30	REF.	-	FRAME

CONSOLE GROUP (730152)

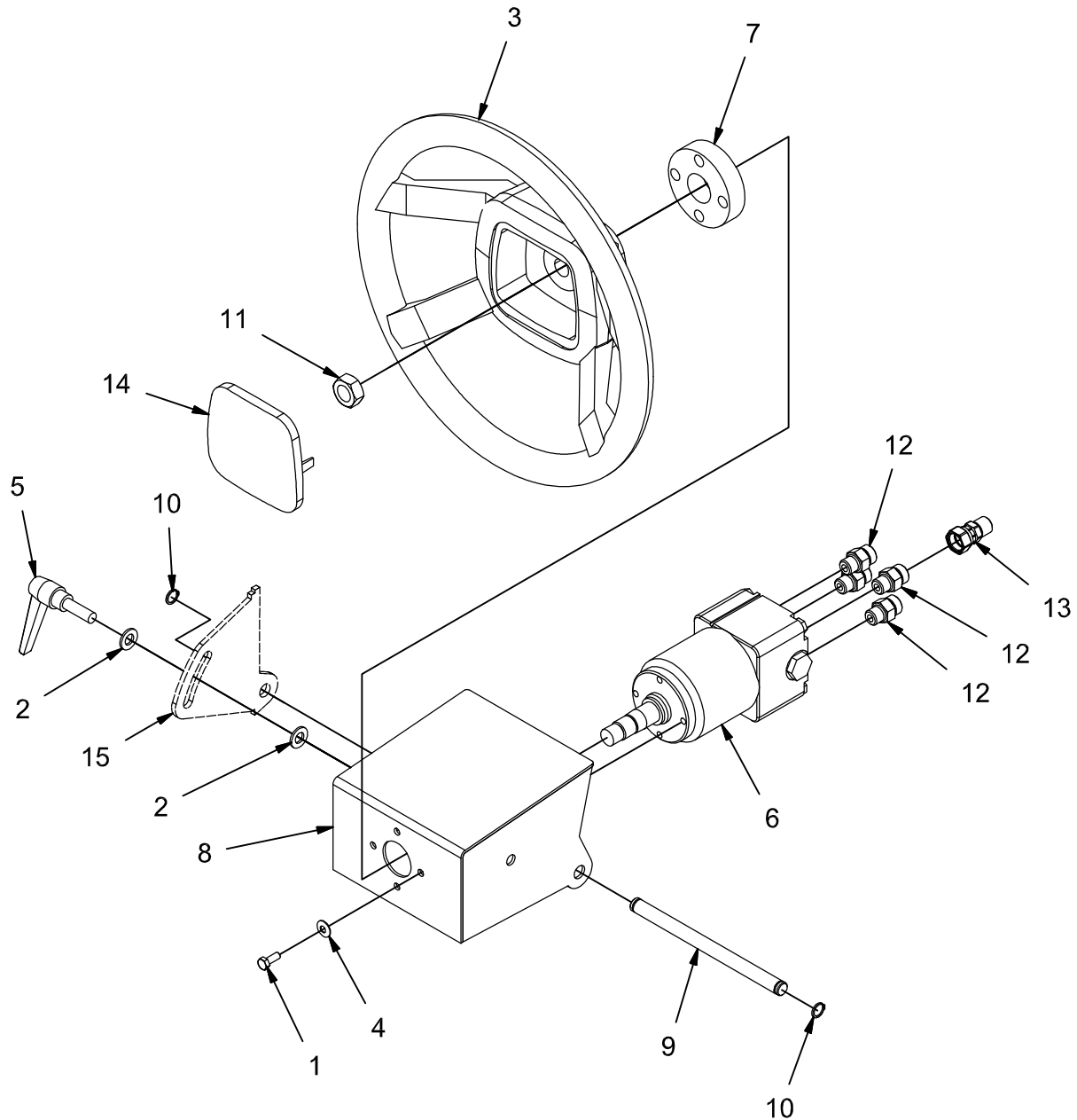


REV D

CONSOLE GROUP (730152)

Parts List 730152			
ITEM	PART NUMBER	QTY	DESCRIPTION
1	11038072	2	BOLT, M6-1.00 X 16 HH
2	11177060	1	SCREW, M6-1.00 X 16 BHCS W/FLANGE SS
3	12040044	3	NUT, M6-1.00 ESN
4	12040259	1	NUT, M8-1.25 ESN SS
5	12310033	2	WASHER, M6
6	3300379	1	HORN, 12V
7	3400273	2	WASHER, STAR, .31, INT. ZP
8	3400384	11	WASHER, 5/16 BELLEVILLE
9	600125	1	CATCH, PARKING BRAKE
10	600912	4	BOLT, M6-1.00 X 16 SHCS
11	600934	11	NUT, M8-1.25 FLNG
12	717024	12	BOLT, M8-1.25 X 20 HH
13	730376-1	1	ASSEMBLY, CONSOLE
14	730396	1	WELDMENT, CONSOLE COVER
15	730401	1	WELDMENT, COVER FRAME
16	730536	1	SEAL, BULB, 50.50 LG
17	730537	2	SEAL, BULB, 19.38 LG
18	730538	1	SEAL, BULB, 14.00 LG
19	730539	1	SEAL, BULB, 6.63 LG
20	730543	1	EDGING, 1/8 X 5.25"
21	730988	1	PAD, FLOOR
22	731008	1	ANGLE, COVER
23	731162	1	SEAL, BULB, 8.88 LG

STEERING COLUMN GROUP (730104)

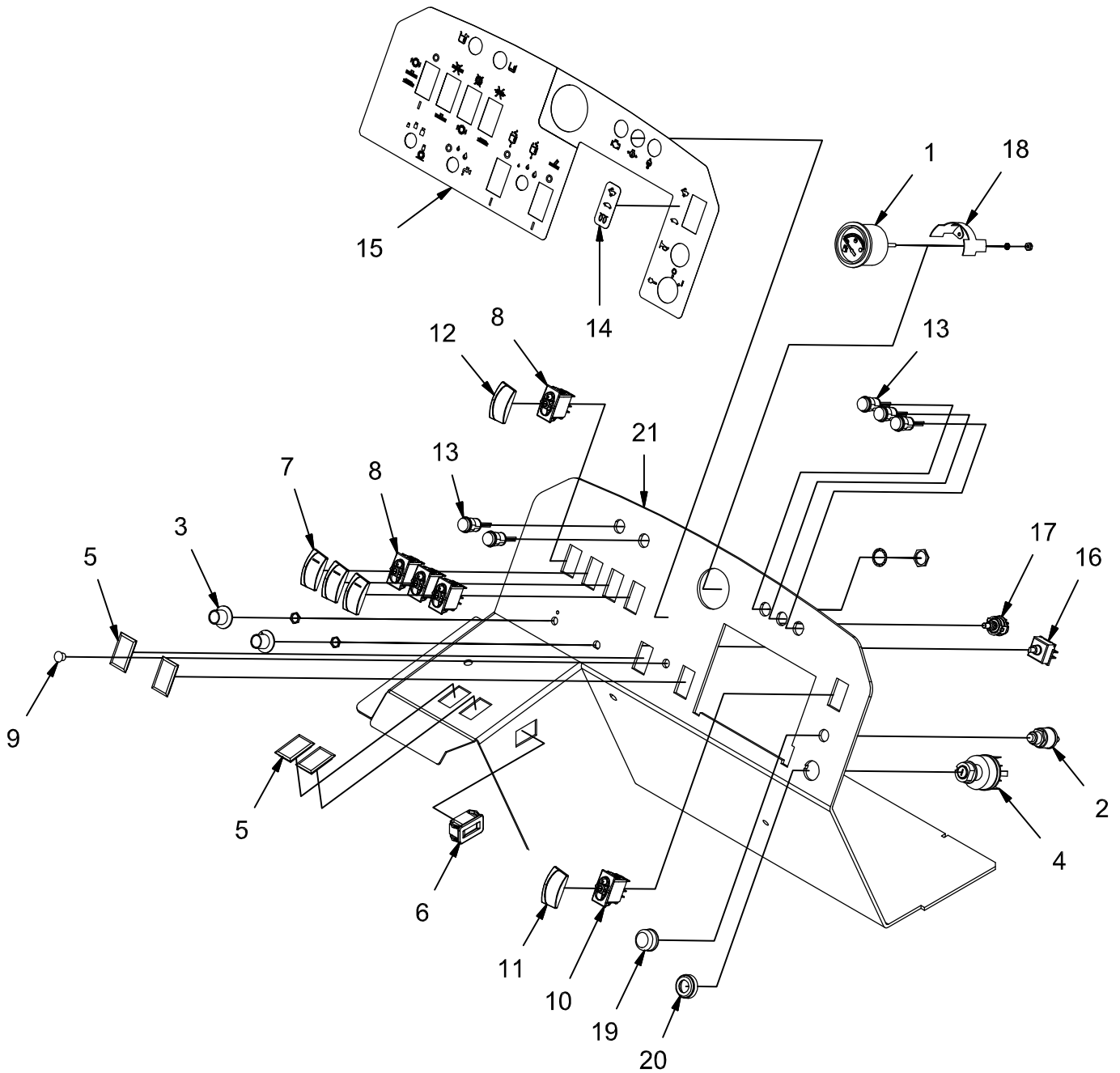


REV *

STEERING COLUMN GROUP (730104)

Parts List			
ITEM	PART NUMBER	QTY	DESCRIPTION
1	11038072	4	BOLT, M6-1.00 X 16 HH
2	12310058	2	WASHER, M10
3	3338215	1	STEERING WHEEL
4	3400383	4	WASHER, 1/4 BELLEVILLE
5	600260	1	KNOB, LEVER
6	600368	1	STEERING UNIT
7	600389	1	STEERING RING
8	600465	1	WELDMENT, STEERING MNT
9	600516	1	SHAFT, ROLLER
10	600569	2	RETAINING RING, EXT .50 HD
11	620057	1	NUT, JAM, M16-1.50 STL ZP
12	675515	4	FITTING, STR, 6 ORFS - 6 SAE
13	675600	1	FTG - .094 ORIFICE ADAPTER -6 ORFS TO -6 ORFS
14	PART OF 3338215	1	COVER, STEERING WHEEL
15	REF	1	FRAME

INSTRUMENT PANEL GROUP - DIESEL (730108)

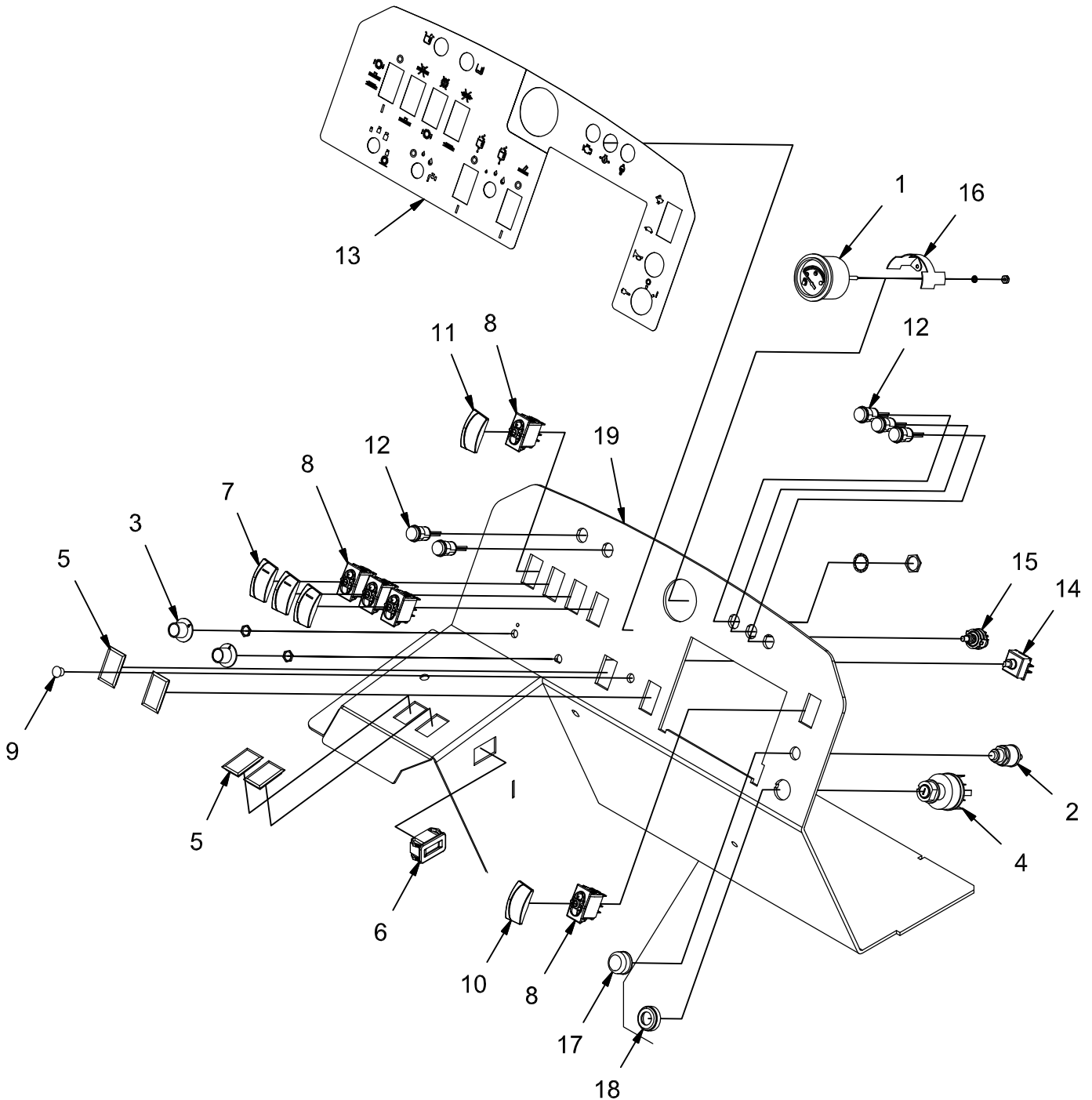


REV B

INSTRUMENT PANEL GROUP - DIESEL (730108)

Parts List 730108			
ITEM	PART NUMBER	QTY	DESCRIPTION
1	3300382	1	GAUGE, FUEL
2	3300441	1	SWITCH, MOMENTARY
3	731187	2	KNOB
4	3316100	1	KEYSWITCH
5	3323529	4	COVER
6	3336094	1	HOUR METER
7	3342273	3	SWITCH COVER - BLACK, CLEAR LENS
8	3342705	4	SWITCH, DPST
9	742749	1	PLUG, BLACK PLASTIC
10	3343912	1	SWITCH, DPDT
11	3344038	1	SWITCH CAP
12	3344039	1	SWITCH CAP. GREEN
13	620069-1	5	LIGHT ASSY, INDICATOR RED - LED
14	715956	1	DECAL, DIESEL IGN
15	715957	1	DECAL, INST PANEL
16	730850	1	SWITCH, ROTARY, 3-WAY
17	730989-1	1	SWITCH, ROTARY 3-POS
18	PART OF 3300382	1	RETAINER, GAUGE
19	PART OF 3300441	1	CAP, SWITCH
20	PART OF 3316100	1	NUT, KEYSWITCH
21	REF	-	CONSOLE

INSTRUMENT PANEL GROUP - GAS (730107)

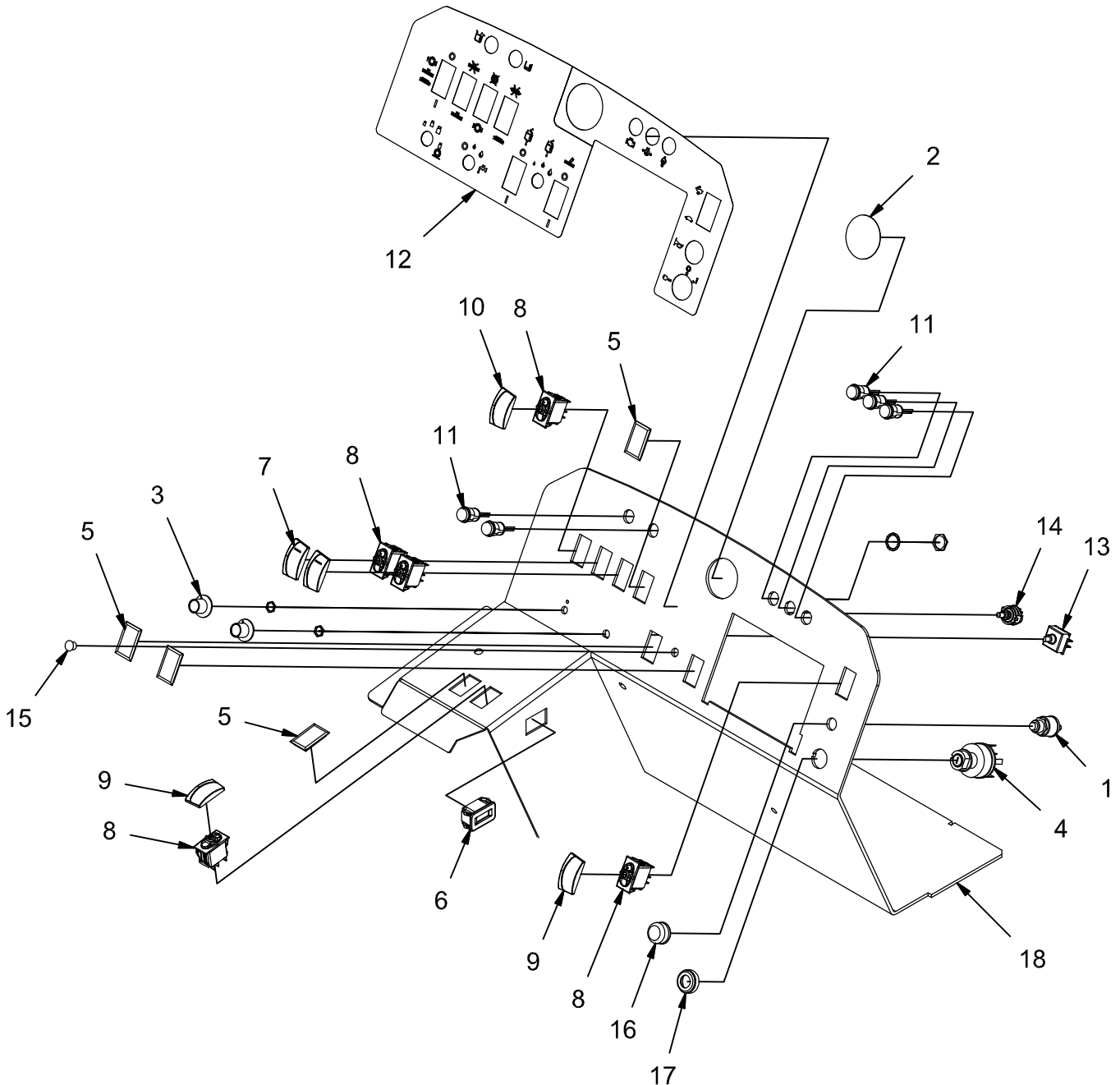


REV B

INSTRUMENT PANEL GROUP - GAS (730107)

Parts List 730107			
ITEM	PART NUMBER	QTY	DESCRIPTION
1	3300382	1	GAUGE, FUEL
2	3300441	1	SWITCH, MOMENTARY
3	731187	2	KNOB
4	3316100	1	KEYSWITCH
5	3323529	4	COVER
6	3336094	1	HOUR METER
7	3342273	3	SWITCH COVER - BLACK, CLEAR LENS
8	3342705	5	SWITCH, DPST
9	742749	1	PLUG, BLACK PLASTIC
10	3344038	1	SWITCH CAP
11	3344039	1	SWITCH CAP. GREEN
12	620069-1	5	LIGHT ASSY, INDICATOR RED - LED
13	715957	1	DECAL, INST PANEL
14	730850	1	SWITCH, ROTARY, 3-WAY
15	730989-1	1	SWITCH, ROTARY 3-POS
16	PART OF 3300382	1	RETAINER, GAUGE
17	PART OF 3300441	1	CAP, SWITCH
18	PART OF 3316100	1	NUT, KEYSWITCH
19	REF	-	CONSOLE

INSTRUMENT PANEL GROUP - LPG (730106)

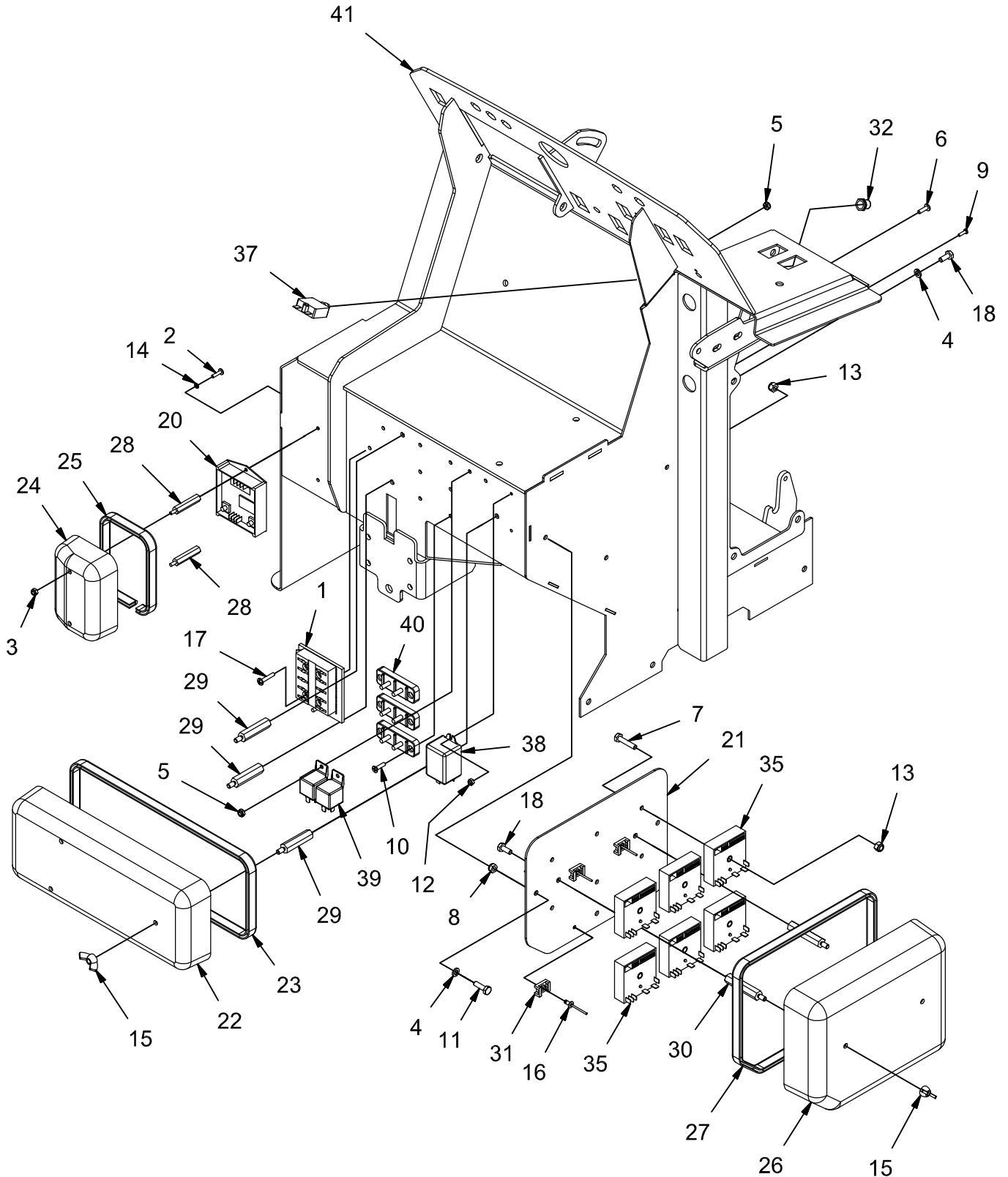


REV B

INSTRUMENT PANEL GROUP - LPG (730106)

Parts List 730106			
ITEM	PART NUMBER	QTY	DESCRIPTION
1	3300441	1	SWITCH, MOMENTARY
2	3301822	1	PLUG, PLASTIC, 2.00
3	731187	2	KNOB
4	3316100	1	KEYSWITCH
5	3323529	4	COVER
6	3336094	1	HOUR METER
7	3342273	2	SWITCH COVER - BLACK, CLEAR LENS
8	3342705	5	SWITCH, DPST
9	3344038	2	SWITCH CAP
10	3344039	1	SWITCH CAP. GREEN
11	620069-1	5	LIGHT ASSY, INDICATOR RED - LED
12	715957	1	DECAL, INST PANEL
13	730850	1	SWITCH, ROTARY, 3-WAY
14	730989-1	1	SWITCH, ROTARY 3-POS
15	742749	1	PLUG, BLACK PLASTIC
16	PART OF 3300441	1	CAP, SWITCH
17	PART OF 3316100	1	NUT, KEYSWITCH
18	REF	-	CONSOLE

INSTRUMENTATION GROUP (730109)

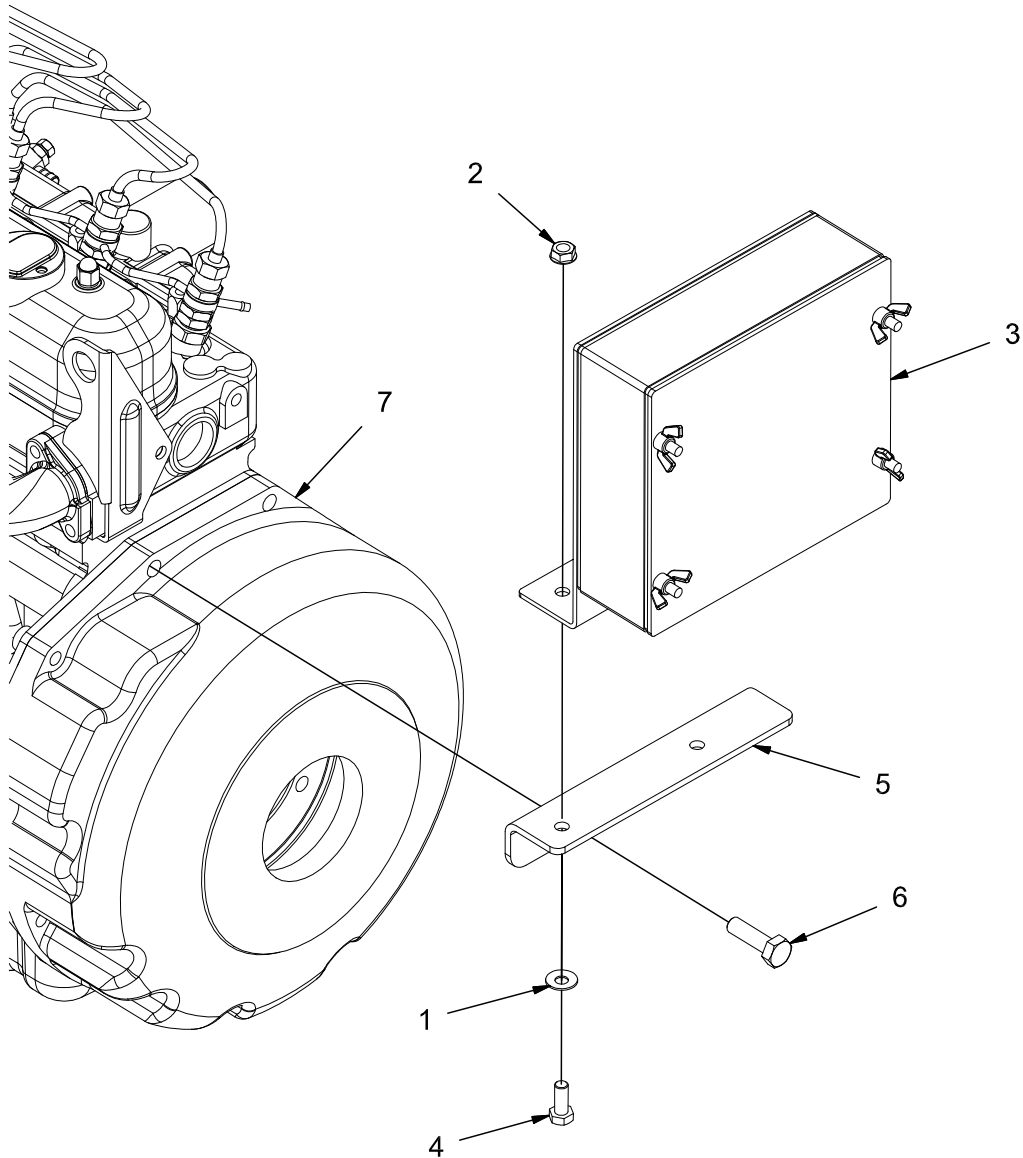


REV B

INSTRUMENTATION GROUP (730109)

Parts List - INSTRUMENTATION GROUP			
ITEM	PART NUMBER	QTY	DESCRIPTION
1	3322599	1	FUSE BLOCK
2	3400045	2	SCREW, #8-32 X .625 PAN HD ZP
3	3400082	2	NUT, FIBER INSERT #8-32
4	3400103	6	LOCK WASHER, 1/4 HS MED
5	3400172	10	NUT, 10-32 ESN
6	3400204	2	SCREW, #10-32 X .625 PAN HD ZP
7	3400227	6	SCREW, 1/4-20 X 1.25 HH ZP
8	3401021	3	NUT, LOW HEIGHT 1/4-20 ESN
9	710204	2	SCREW, #6-32 X .500 PAN HD ZP
10	710556	6	SCREW, FHMS, 10-32 X .75 ZP
11	711206	3	BLT - HH 1/4-20 X .87 STL ZINC
12	711371	2	NUT, #6-32 ESN ZP
13	711373	9	NUT, FIBER INSERT 1/4-20
14	711542	2	WASHER, HELICAL, #8 ZP
15	711563	5	WING NUT, 1/4-20, NYLON
16	711903	3	RIVET, BLIND, .19 D X .126 - .250 GRIP ALU
17	712546	2	SCREW, #10-32 X 1.00 PAN HD ZP
18	713001	5	SCREW, 1/4-20 X .625 HHC
19	731125	-	PROP VALVE DRIVER (PART OF 731125-1)
20	731125-1	1	ASSEMBLY, PROPORTIONAL VALVE DRIVER
21	731191	1	PLATE, TIMER
22	731227	1	COVER, FUSE PANEL
23	731228	1	SEAL, FUSE COVER
24	731229	1	COVER, CONTROLLER
25	731230	1	SEAL, CONTROLLER
26	731231	1	COVER, TIMER
27	731232	1	SEAL, TIMER COVER
28	731233	2	STANDOFF, PANEL, #8-32 X 1.75
29	731234	3	STANDOFF, PANEL, 1/4-20 X 2.00
30	731236	2	STANDOFF, PANEL, 1/4-20 X 2.38
31	731258	3	MOUNT, CABLE TIE
32	742748	1	BOOT, CIRCUIT BREAKER
33	748339	-	HANESS, WIRE ASSY (PART OF 748430-1)
34	748430	-	TIMER (PART OF 748430-1)
35	748430-1	6	ASSEMBLY, TIMER
36	748431	-	HARNESS, WIRE ASSY (PART OF 731125-1)
37	748904	1	CIRCUIT BREAKER, 40A
38	748961	1	RELAY, DPDT, 12VDC, 35A
39	90264672	2	RELAY, SPDT, 12VDC, 30A
40	90286238	3	TERMINAL BLOCK
41	REF.	-	CONSOLE

ELECTRICAL BOX GROUP - DIESEL (730156)

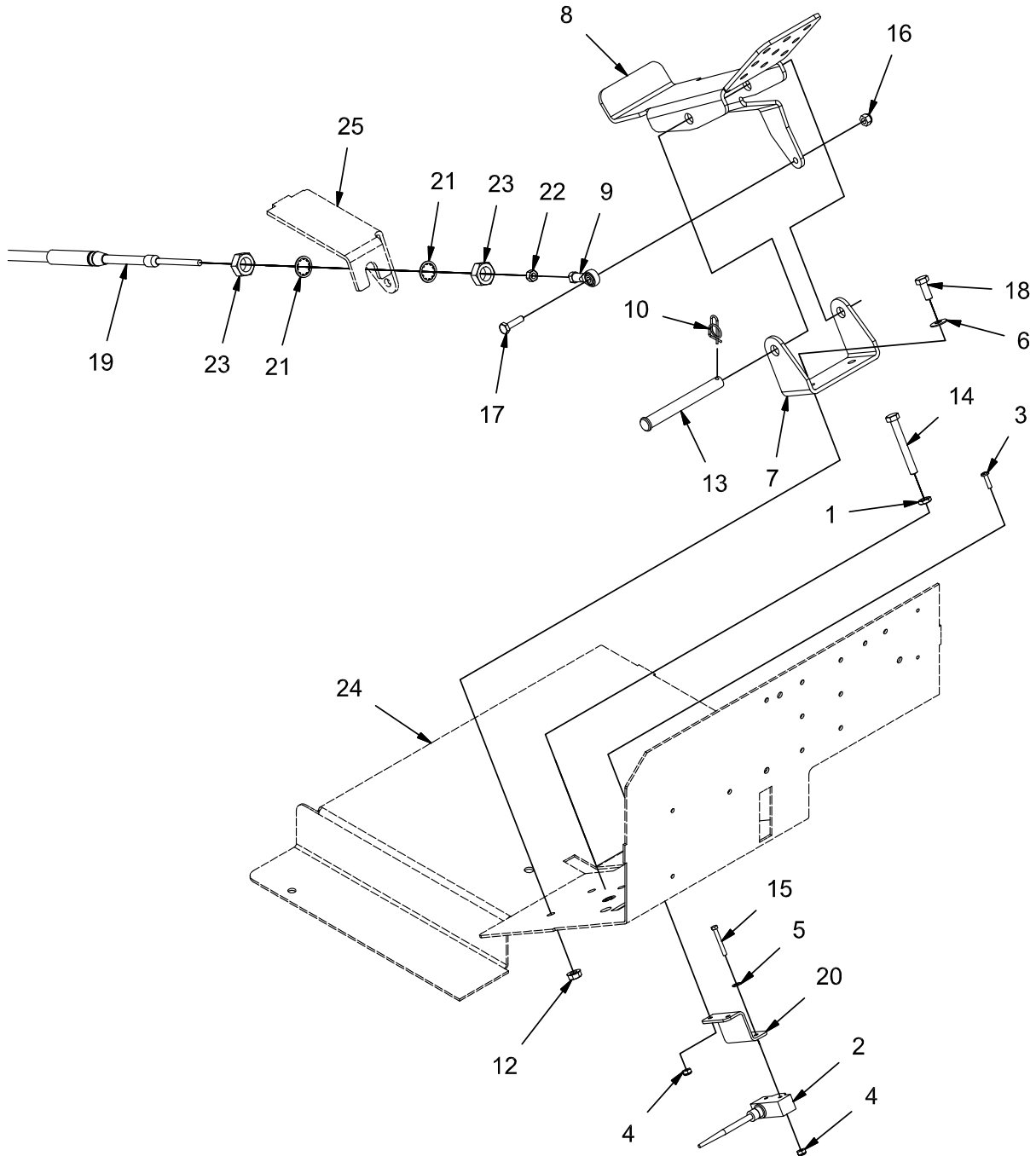


REV *

ELECTRICAL BOX GROUP - DIESEL (730156)

Parts List - 730156			
ITEM	PART NUMBER	QTY	DESCRIPTION
1	3400384	2	WASHER, 5/16 BELLEVILLE
2	600934	2	NUT, M8-1.25 FLNG
3	620060	1	CONTROL BOX - DIESEL
4	717024	2	BOLT, M8-1.25 X 20 HH
5	730532	1	ANGLE, MOUNT
6	REF.	-	BOLT
7	REF.	-	DIESEL ENGINE

DIRECTIONAL CONTROL GROUP (730110)

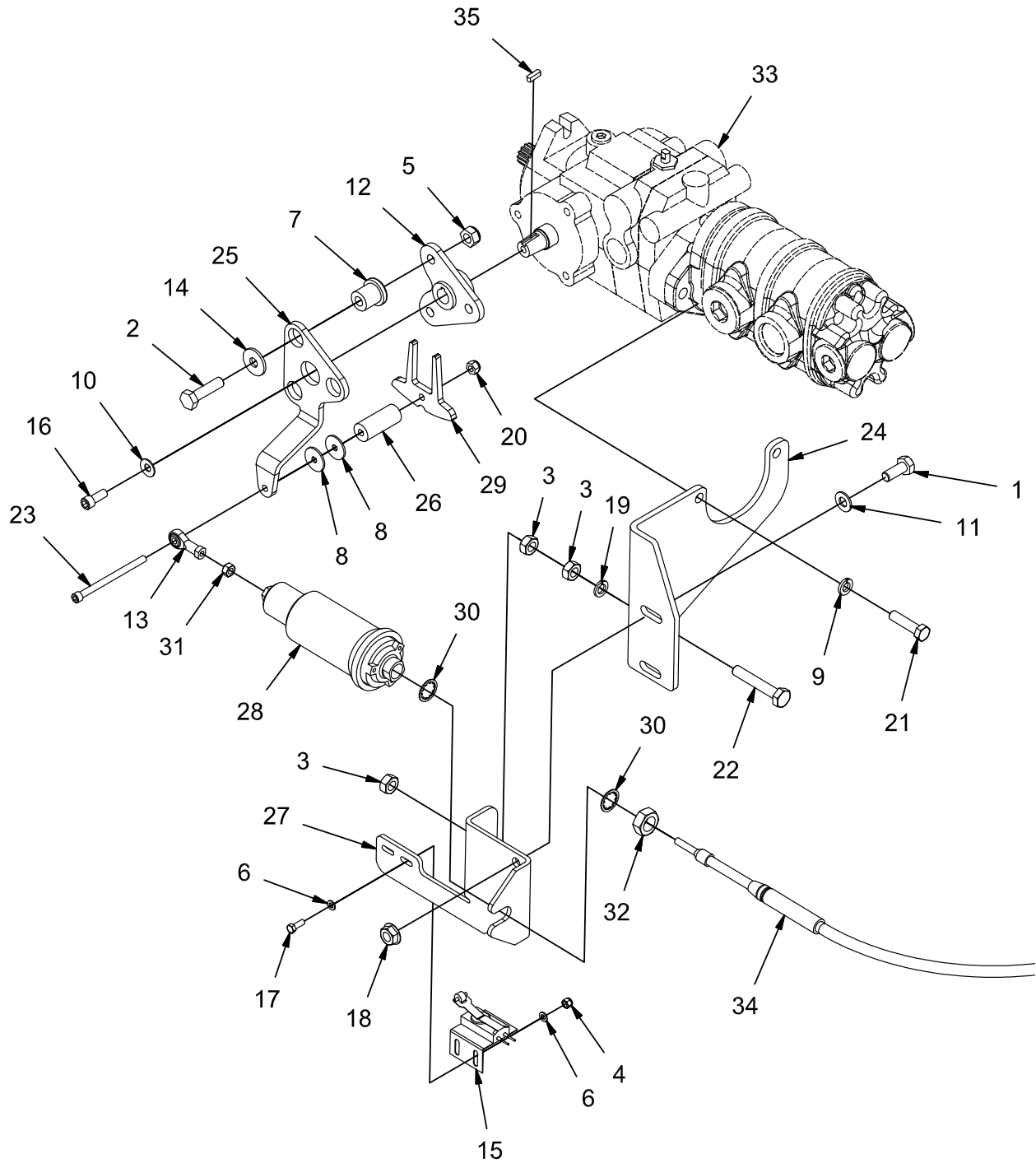


REV B

DIRECTIONAL CONTROL GROUP (730110)

Parts List 730110			
ITEM	PART NUMBER	QTY	DESCRIPTION
1	12012019	1	NUT, M8-1.25 JAM
2	3342546	1	SWITCH, WHISKER
3	3400045	2	SCREW, #8-32 X .625 PAN HD ZP
4	3400082	4	NUT, FIBER INSERT #8-32
5	3400096	2	FLATWASHER, #8
6	3400384	2	WASHER, 5/16 BELLEVILLE
7	600134	1	BRACKET, F/R PEDAL
8	600135	1	PEDAL, F/R
9	600175	1	ROD END, FEM 1/4-28
10	600578	1	RUE-RING, .50
11	600851	1	M8-1.25 INSERT, .125 GRIP
12	600934	2	NUT, M8-1.25 FLNG
13	620027	1	PIN, CLEVIS 1/2 X 4.50
14	620033	1	BOLT, M8-1.25 X 65 HH
15	620136	2	BOLT, #8-32 X 1.25 HH ZP
16	711373	1	NUT, FIBER INSERT 1/4-20
17	713003	1	SCREW, 1/4-20 X 1.00 HH
18	717024	2	BOLT, M8-1.25 X 20 HH
19	730356	1	CABLE, JACKETED, 92.50 OAL
20	731225	1	BRACKET, SWITCH
21	PART OF 730356	2	LOCK WASHER
22	PART OF 730356	1	NUT, 1/4-28
23	PART OF 730356	2	NUT, 5/8-18 JAM
24	REF	-	CONSOLE
25	REF.	-	FRAME

PUMP LINKAGE GROUP (730111)

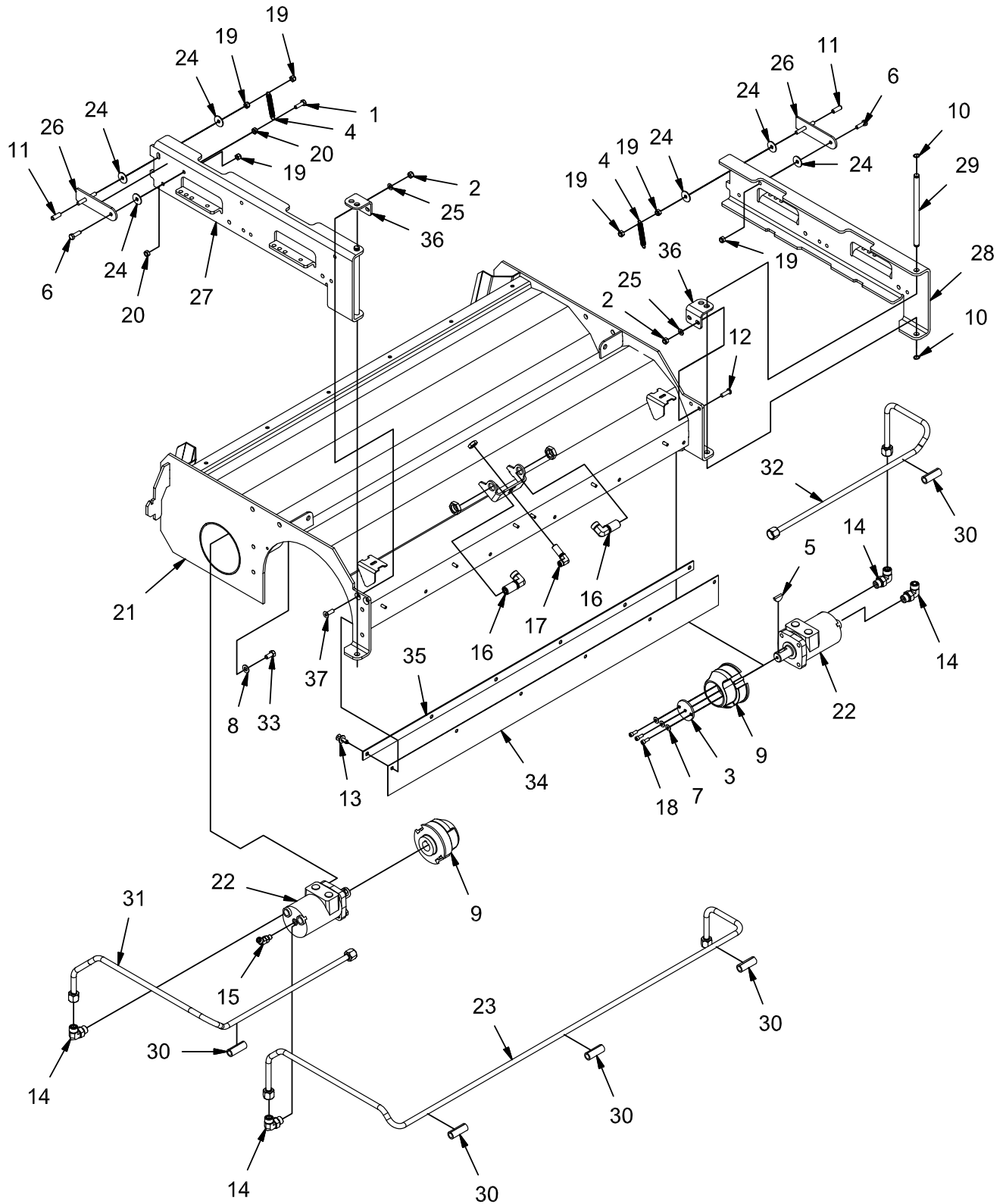


REV C

PUMP LINKAGE GROUP (730111)

Parts List 730111			
ITEM	PART NUMBER	QTY	DESCRIPTION
1	11038346	2	BOLT, M10-1.50 X 25 HH
2	11038395	3	BOLT, M10-1.50 X 40 HH
3	12022067	3	NUT, M10-1.50 HEX
4	12040036	2	NUT, M5 - 0.8 ESN
5	12040069	3	NUT, M10-1.50 ESN
6	12310025	4	WASHER, M5
7	3300465	3	ISOLATOR, VIB
8	3400090	2	WASHER, FENDER, 1/4 ZP
9	3400101	2	LOCK WASHER, 3/8 HS MED
10	3400384	1	WASHER, 5/16 BELLEVILLE
11	3400385	2	WASHER, 3/8, BELLEVILLE
12	600141	1	WELDMENT, DIR CONT HUB
13	600175	1	ROD END, FEM 1/4-28
14	600363	3	WASHER, ISOLATOR
15	600853-1	1	SWITCH, LIMIT, N.O.
16	600895	1	BOLT, 5/16-24 X .75 SHCS
17	600911	2	BOLT, M5-0.8 X 14 HH
18	600936	2	NUT, M10-1.50 FLNG
19	600945	1	LOCK WASHER, M10
20	711373	1	NUT, FIBER INSERT 1/4-20
21	713044	2	SCREW, 3/8-16 X 1.50 HHC
22	730481	1	BOLT, M10-1.50 X 60 HH ALL-THRD
23	730699	1	BOLT, 1/4-20 X 3.50 SOC HD CAP
24	730714	1	MOUNT, HYDROBACK
25	730715	1	ARM, DIR CONT
26	731108	1	SPACER, .266 B .750 OD 1.81 T
27	731109	1	ADJUSTER, HYDROBACK W/SW MNT
28	731181	1	HYDROBACK CENTERING UNIT, 10 LB
29	731238	1	CAM, NEUTRAL
30	PART OF CABLE ASSY	2	LOCK WASHER
31	PART OF CABLE ASSY	1	NUT, 1/4-28
32	PART OF CABLE ASSY	1	NUT, 5/8-18 JAM
33	REF.	-	PUMP, PROPULSION
34	REF.	-	CABLE, PUSH-PULL
35	WITH PUMP	1	KEY

SCRUB HEAD GROUP (730112)

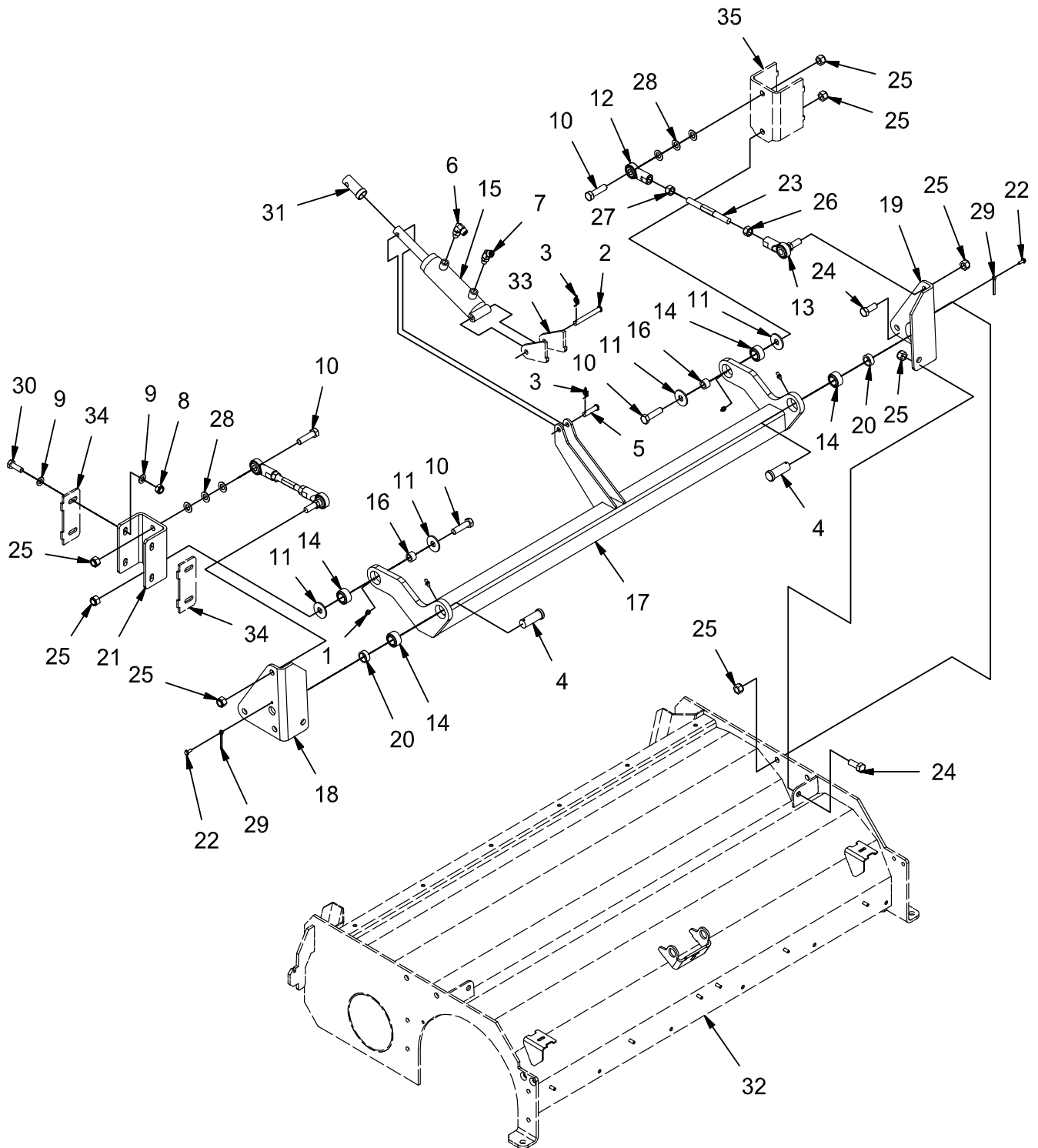


REV B

SCRUB HEAD GROUP (730112)

Parts List 730112			
ITEM	PART NUMBER	QTY	DESCRIPTION
1	11039567	1	BOLT, M8-1.25 X 25 HH SS
2	12040259	4	NUT, M8-1.25 ESN SS
3	3301285	2	RETAINER, MAIN BROOM DRIVE HUB
4	3304160	2	SPRING, EXT
5	3330338	2	KEY, WOODRUFF .25 X .50
6	3400318	2	BOLT, 5/16-18 X 1.00 HH SS
7	3400383	6	WASHER, 1/4 BELLEVILLE
8	3400385	8	WASHER, 3/8, BELLEVILLE
9	600337	2	HUB, MAIN BROOM DRIVE
10	600569	4	RETAINING RING, EXT .50 HD
11	600910	2	CAP
12	600917	2	SCREW, M8-1.25 X 25 BUTTON HD CAP SS
13	600965	6	FASTENER, PRESS-IN
14	675523	4	FITTING, 90, 8 ORFS - 8 SAE
15	675541	1	FITTING, 45, 4 ORFS - 4 SAE
16	675544	2	FITTING, 90, BULKHEAD 8 ORFS - 8 ORFS
17	675545	1	FITTING, 90, BULKHEAD 4 ORFS - 4 ORFS
18	712331	6	BOLT, 1/4-20 X .625 SHCS SS
19	712683	6	NUT, 5/16-18 ESN SS
20	717029	2	NUT, M8-1.25 SS
21	730325	1	WELDMENT, SCRUB HEAD
22	730343	2	MOTOR, 4.5 DISP
23	730348	1	ASSEMBLY, CROSS TUBE
24	730526	6	WASHER, M8 FENDER SS
25	730609	4	WASHER, M8 SS
26	730622	2	WELDMENT, DOOR LATCH
27	730626	1	SQU MNT CHANNEL, RH
28	730627	1	SQU MNT CHANNEL, LH
29	730642	2	SHAFT, .50 D X 8.00 L
30	730685	5	GUARD, HOSE
31	730775	1	ASSEMBLY, RH MOTOR TUBE
32	730776	1	ASSEMBLY, LH MOTOR TUBE
33	730959	8	SCREW, 3/8-16 X .750 HHC SS
34	730982	1	SKIRT, SCRUB HEAD
35	730983	1	STRAP, RETAINER
36	731131	2	HINGE, ADJ
37	731139	2	SCREW, M8-1.25 X 25 FHCS SS

SCRUB BRUSH LIFT GROUP (730113)

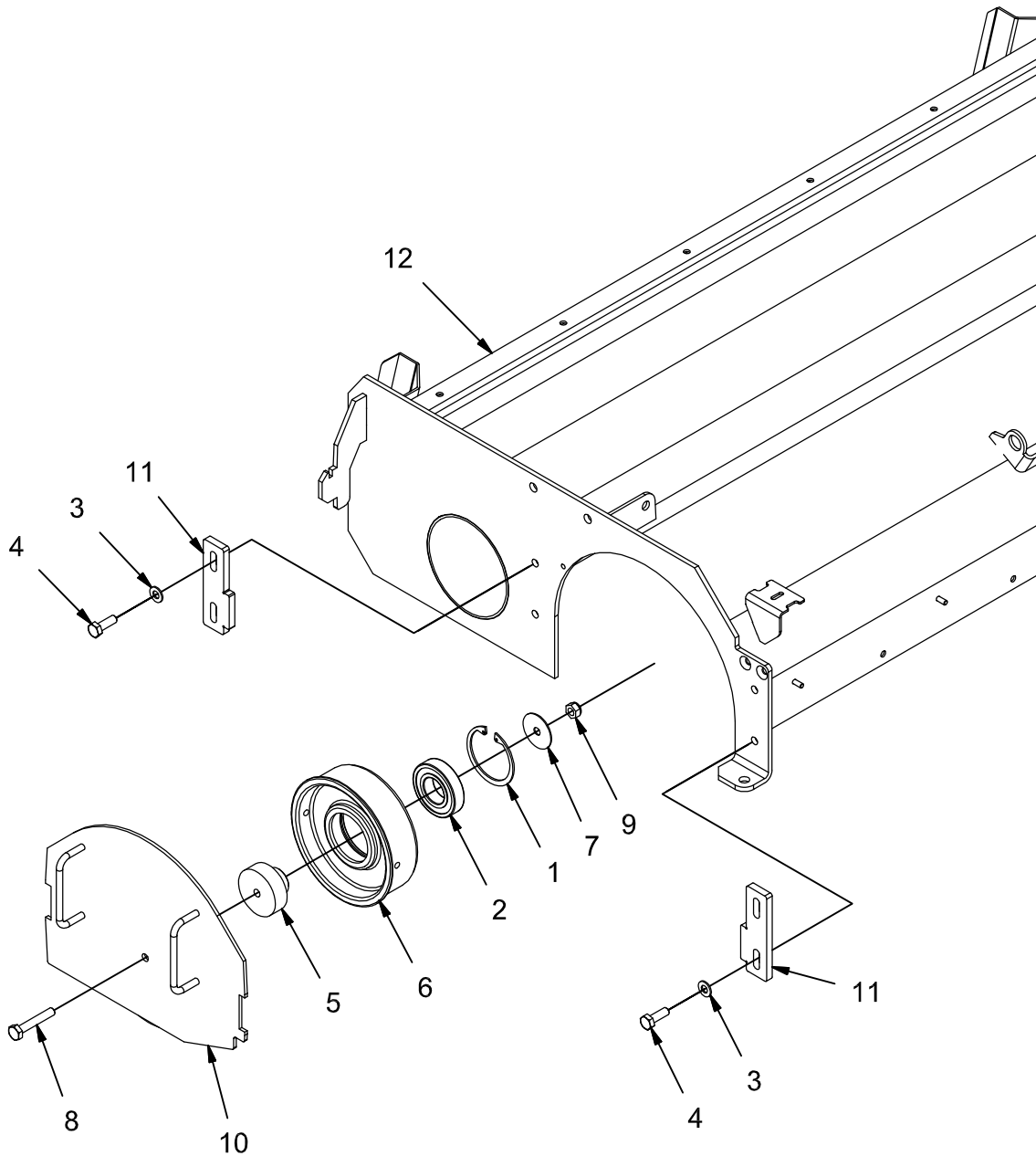


REV A

SCRUB BRUSH LIFT GROUP (730113)

Parts List 730113			
ITEM	PART NUMBER	QTY	DESCRIPTION
1	3400012	4	GREASE ZIRK
2	3400115	1	PIN, CLEVIS, .375 X 3.00
3	3400125	2	RUE-RING, .375
4	3400439	2	CLEVIS PIN, .75 X 2.00
5	600573	1	PIN, CLEVIS, 3/8 X 1.50
6	675507	1	FITTING, 90, 4 ORFS - 4 SAE
7	675541	1	FITTING, 45, 4 ORFS - 4 SAE
8	730339	4	NUT, M10-1.50 ESN SS
9	730344	8	WASHER, M10 SS
10	730516	4	BOLT, M12-1.75 X 45 HH SS
11	730528	4	WASHER, .512 B 1.46 OD .118 T SS
12	730544	2	ROD END, FEM, M12-1.75
13	730545	2	ROD END, FEM, M12-1.75 LH THRD W/STUD
14	730547	4	BEARING, SPHERICAL
15	730548	1	CYLINDER, HYD, 1.5 B X 2.88 STK
16	730549	2	SPACER, .484 B .746 OD .500 T
17	730590	1	WELDMENT, SH LIFT ARM
18	730594	1	WELDMENT, SH LIFT BRACKET RH
19	730597	1	WELDMENT, SH LIFT BRACKET, LH
20	730599	2	SPACER, .760 B 1.00 OD .375 T
21	730600	1	CHANNEL, SH ADJ MNT
22	730601	2	SCREW, #10-32 x .50 SELF TAPPING SS
23	730603	2	ROD, ADJ
24	730604	6	BOLT, M12-1.75 X 30 HH SS
25	730605	12	NUT, M12-1.75 ESN SS
26	730606	2	NUT, M12-1.75 LH THRD SS
27	730607	2	NUT, M12-1.75 HEX SS
28	730608	6	WASHER, M12 SS
29	730610	2	PIN, COTTER, .156 X 1.25 SS
30	730878	4	BOLT, M10-1.50 X 30 HH SS
31	731194	1	TUBE, STOP
32	REF.	-	SCRUB HEAD
33	REF.	-	FRAME
34	REF.	-	FRAME
35	REF.	-	FRAME

SCRUB BRUSH IDLER GROUP (730114)

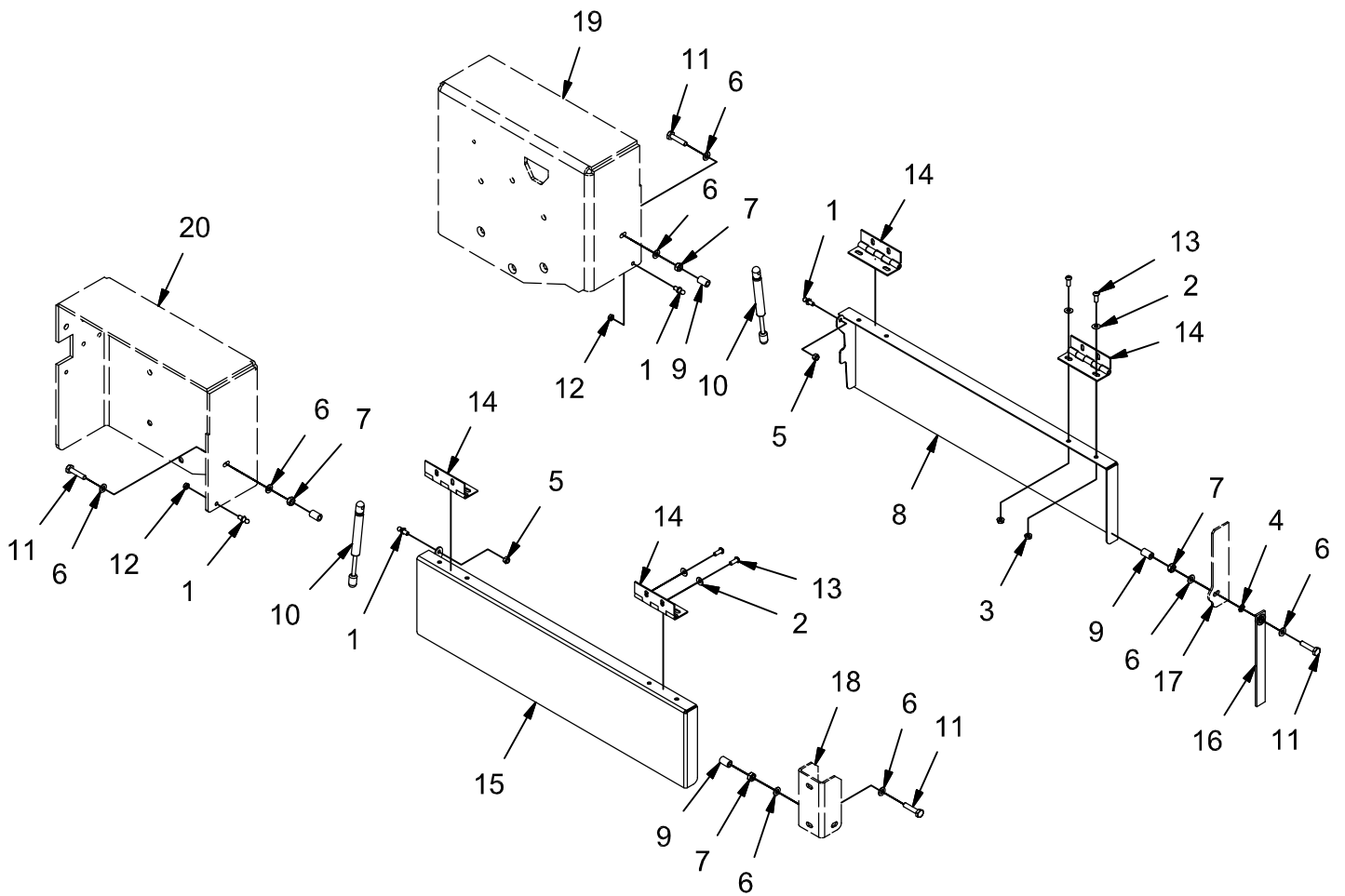


REV C

SCRUB BRUSH IDLER GROUP (730114)

Parts List 730114			
ITEM	PART NUMBER	QTY	DESCRIPTION
1	3305666	2	RING, RETAINING, INT
2	3305667	2	BEARING, BALL, 207PP
3	3400385	8	WASHER, 3/8, BELLEVILLE
4	730878	8	BOLT, M10-1.50 X 30 HH SS
5	600544	2	MOUNT, BEARING
6	620083	2	IDLER, MAIN BROOM
7	712768	2	WSR-FLT .406 X 1.875 SS
8	730323	2	BOLT, M10-1.50 X 60 HH SS
9	730339	2	NUT, M10-1.50 ESN SS
10	730341	2	WELDMENT, BRUSH RETAINER
11	730613	4	PLT, ADJ
12	REF.	-	SCRUB HEAD

BRUSH DOOR GROUP (730115)

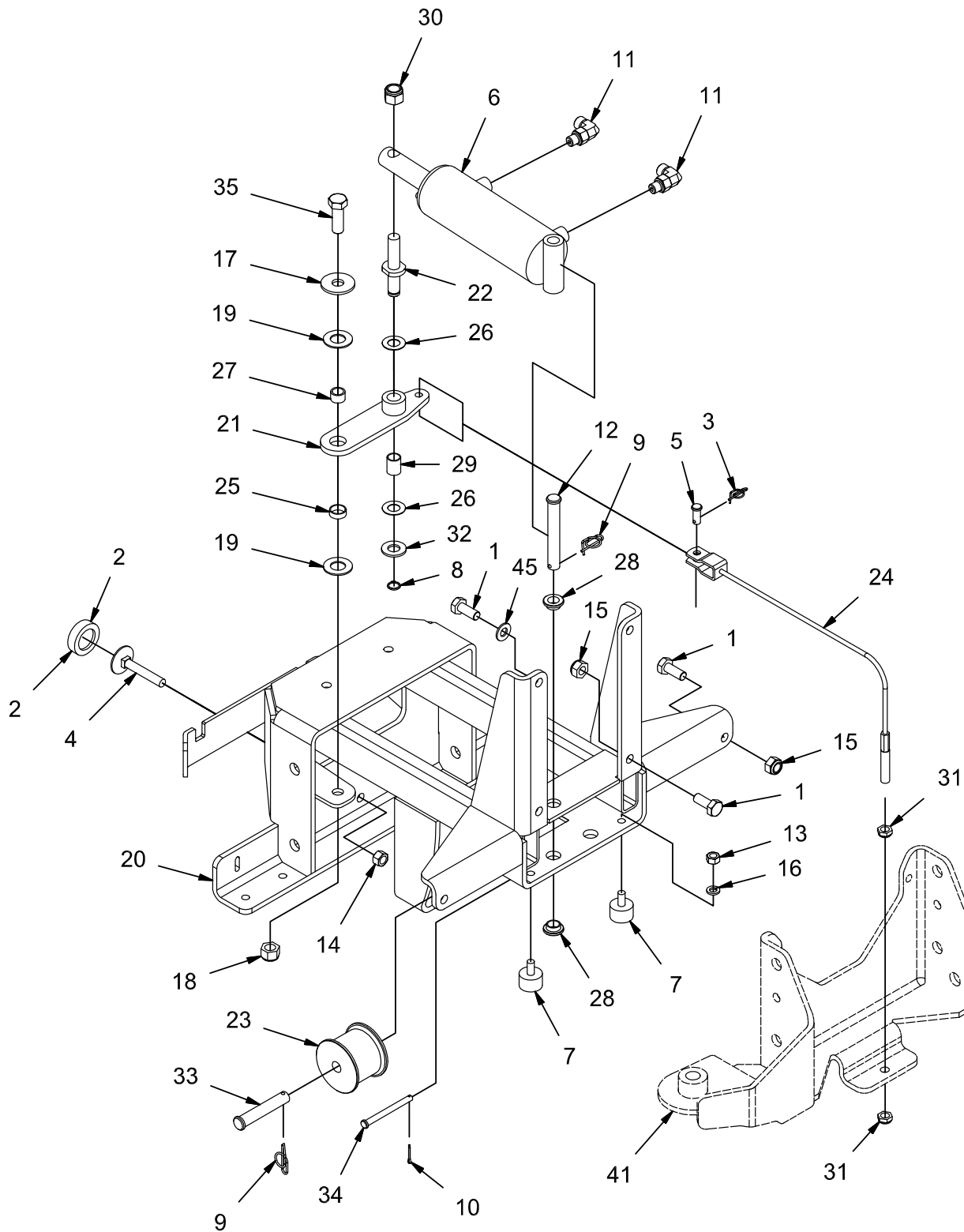


REV A

BRUSH DOOR GROUP (730115)

Parts List 730115			
ITEM	PART NUMBER	QTY	DESCRIPTION
1	3300376	4	STUD, 10MM BALL
2	3400384	16	WASHER, 5/16 BELLEVILLE
3	600934	8	NUT, M8-1.25 FLNG
4	600946	1	LOCK WASHER, 3/8 INT STAR
5	712683	2	NUT, 5/16-18 ESN SS
6	730344	8	WASHER, M10 SS
7	730718	4	NUT, M10-1.50 HEX SS
8	730900	1	WELDMENT, LH BRUSH DOOR
9	730901	4	TUBING, STOP
10	730902	2	GAS STRUT, 8.77 EXT, 3.00 STK, 200N
11	730903	4	BOLT, M10-1.50 X 45 HH SS
12	730904	2	NUT, 5/16-18 HEX JAM SS
13	730905	16	SCREW, M8-1.25 X 20 BUTTON HD CAP SS
14	730906	4	HINGE, 5"
15	730951	1	WELDMENT, RH BRUSH DOOR
16	730979-1	1	STRAP, STATIC
17	REF.	-	FRAME
18	REF.	-	FRAME
19	REF.	-	FRAME
20	REF.	-	FRAME

SQUEEGEE LIFT GROUP (730119)

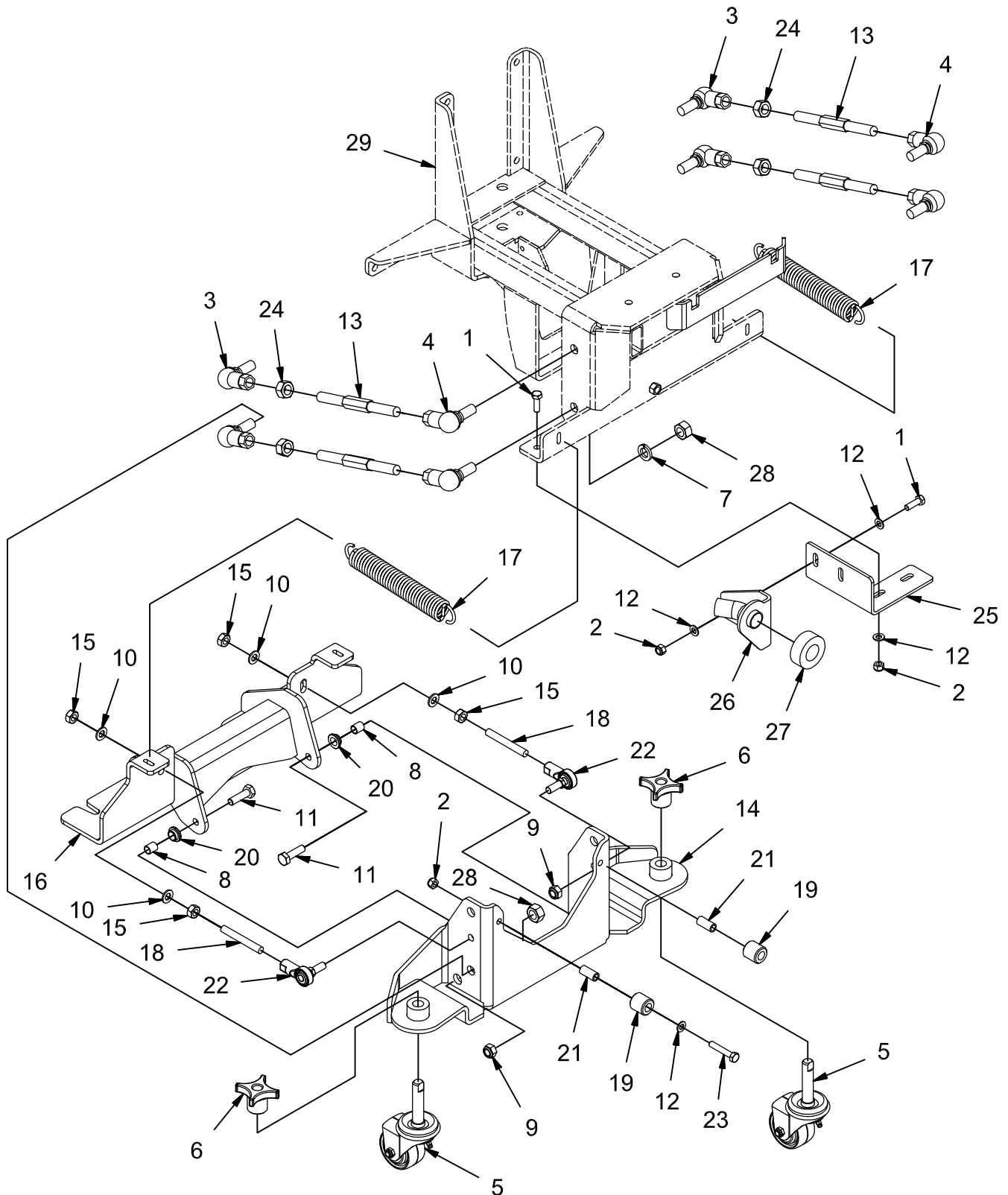


REV D

SQUEEGEE LIFT GROUP (730119)

Parts List 730119			
ITEM	PART NUMBER	QTY	DESCRIPTION
1	11039328	6	BOLT, M10-1.50 X 25 HH SS
2	3304624	1	CAP, RUBBER BUMPER
3	3400125	1	RUE-RING, .375
4	3400355	1	SCR, LEVEL BOLT, 3/8-16 X 2.50
5	450034	1	PIN, CLEVIS, .313 X .75
6	600106	1	CYLINDER
7	600220	2	BUMPER, 1.00 X .625 T
8	600569	1	RETAINING RING, EXT .50 HD
9	600578	2	RUE-RING, .50
10	620143	1	COTTERPIN, 5/64 X 1/2
11	675507	2	FITTING, 90, 4 ORFS - 4 SAE
12	712098	1	PIN, CLEVIS 1/2 X 3.50
13	712680	2	NUT, HEX 5/16-18 SS
14	712695	1	NUT, HEX 3/8-16 SS
15	730339	4	NUT, M10-1.50 ESN SS
16	730527	2	LOCK WASHER, M8, SS
17	730528	1	WASHER, .512 B 1.46 OD .118 T SS
18	730605	1	NUT, M12-1.75 ESN SS
19	730647	2	WASHER, THRUST, .66 B 1.25 OD .06 T
20	730724	1	WELDMENT, SQU LIFT
21	730738	1	WELDMENT, SQU LIFT ARM
22	730741	1	PIN, SQU LIFT
23	730745	1	PULLEY
24	730746	1	CABLE ASSEMBLY
25	730747	1	BEARING, DU .625 ID .25 L
26	3400178	2	WASHER, THRUST, .53 B 1.00 OD .03 T
27	730749	1	SPACER, .484 B .622 ID .390 T
28	730750	2	BUSHING, BRONZE, FLANGED. .50 B .62 OD .31 T
29	730752	1	FIBERGLIDE BEARING, .500 ID .750 T
30	730756	1	NUT, 1/2-13 ESN, SS
31	730757	2	NUT, 3/8-24 JAM ESN SS
32	730759	1	WASHER, 1/2, SS
33	730760	1	PIN, CLEVIS 1/2 X 2.75
34	730761	1	PIN, CLEVIS, .25 X .2.75
35	730762	1	BOLT, M12-1.75 X 35 HH SS
45	3400385	2	WASHER, 3/8, BELLEVILLE

SQUEEGEE LINKAGE GROUP (730158)

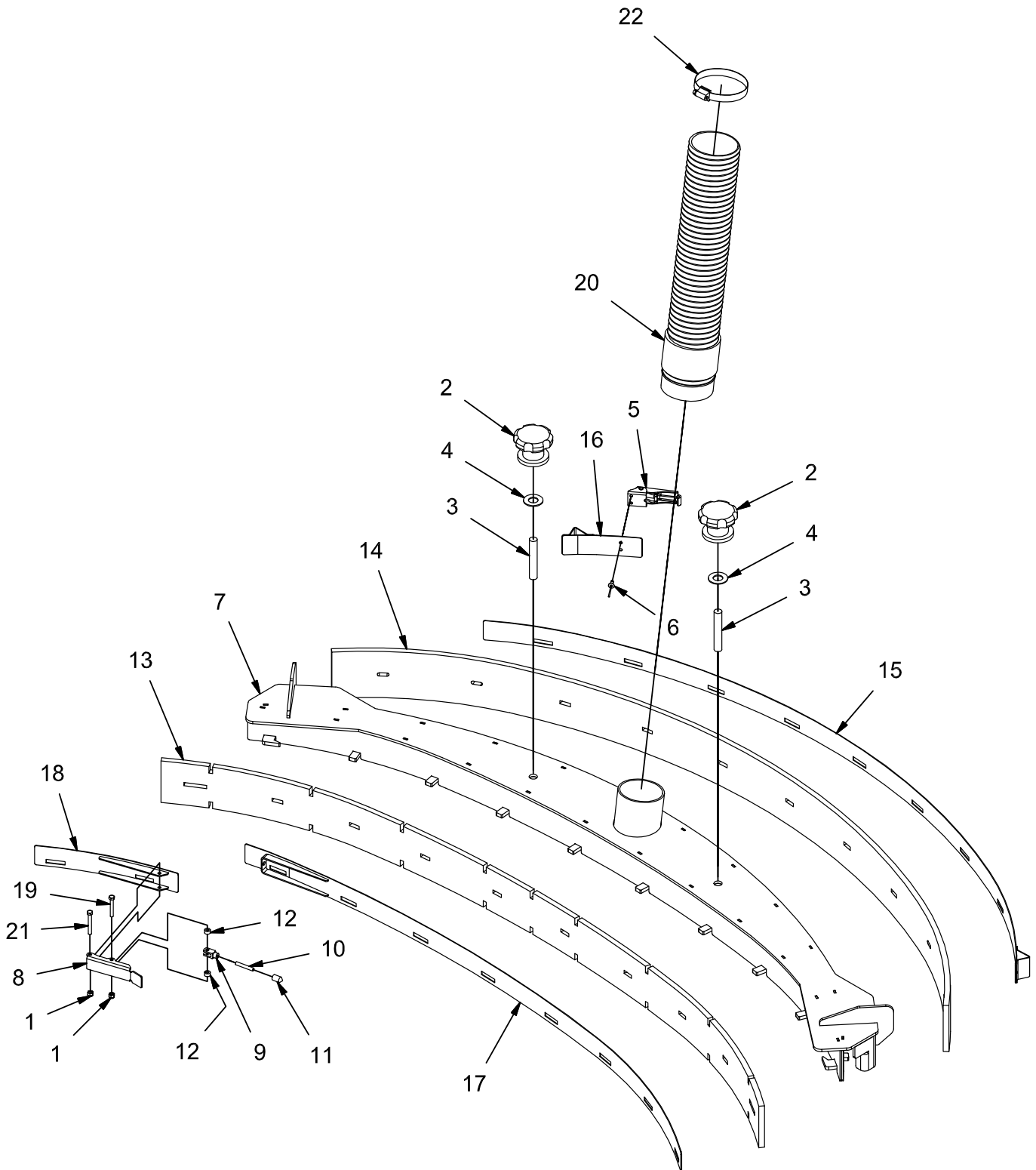


REV C

SQUEEGEE LINKAGE GROUP (730158)

Parts List 730158			
ITEM	PART NUMBER	QTY	DESCRIPTION
1	11039567	4	BOLT, M8-1.25 X 25 HH SS
2	12040259	6	NUT, M8-1.25 ESN SS
3	16046054	4	ROD END, M14 RH THRDS
4	16046062	4	ROD END, M14 LH THRDS
5	3343816	2	CASTER
6	3343819	2	KNOB
7	3400414	8	LOCK WASHER, 9/16 HS MED
8	600525	2	SPACER, .406 B .50 OD .57 T
9	730339	4	NUT, M10-1.50 ESN SS
10	730344	4	WASHER, M10 SS
11	730345	2	BOLT, M10-1.50 X 35 HH SS
12	730609	8	WASHER, M8 SS
13	730662	4	ROD, SQUEEGEE
14	730674	1	WELDMENT, SQU BRACKET
15	730718	4	NUT, M10-1.50 HEX SS
16	730720	1	WELDMENT, SQU MNT
17	730742	2	SPRING, EXT, .160 W 1.25 OD 10.25 L SS
18	730743	2	ROD, TREADED, M10-1.50
19	730744	2	ROLLER, SQU
20	730750	2	BUSHING, BRONZE, FLANGED. .50 B .62 OD .31 T
21	730751	2	SPACER, .344 B .500 OD 1.06 T
22	730753	2	ROD END, M10-1.50
23	730754	2	BOLT, M8-1.25 X 45 HH SS
24	731176	4	NUT, M14-1.50 HEX SS
25	730839	1	BRACKET, ADJ
26	730847	1	WELDMENT, HOSE ADJ
27	730848	1	SEAL
28	PART OF ROD END	8	NUT, M14-1.50 HEX
29	REF	-	SQUEEGEE LIFT WELDMENT

SQUEEGEE GROUP (730118)

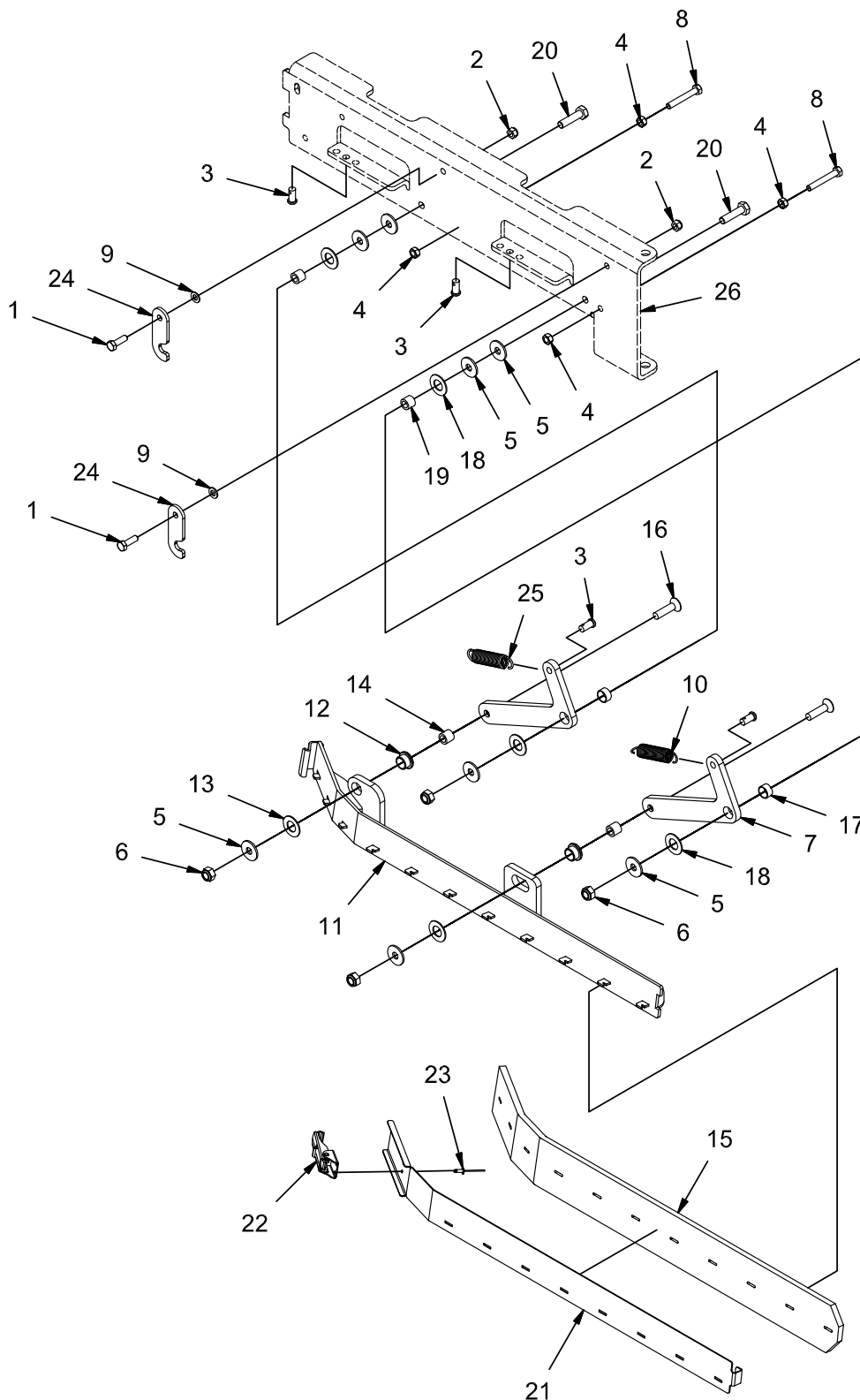


REV C

SQUEEGEE GROUP (730118)

Parts List 730118			
ITEM	PART NUMBER	QTY	DESCRIPTION
1	12040283	2	NUT, M5 - 0.8 ESN SS
2	3343814	2	KNOB
3	3343903	2	STUD, 1/2-13 X 3.00 SS
4	3401543	2	WASHER, TOOTHED PERIPHERY
5	730652	1	LATCH, UNDER CENTER
6	730654	2	RIVET, BLIND, .156 D X .062 - .125 GRIP SS
7	730764	1	WELDMENT, SQUEEGEE
8	730780	1	LATCH, BODY
9	730781	1	CLEVIS, M5-0.8
10	730782	1	ROD, M5-0.8
11	730783	1	ROD, NOSE
12	730784	2	SPACER, .203 B .375 OD .210 T
13	730787	1	SQUEEGEE BLADE, FRONT
14	730788	1	SQUEEGEE BLADE, REAR
15	730791	1	WELDMENT, REAR RETAINER
16	730796	1	WELDMENT, REAR RETAINER, SHORT
17	730798	1	WELDMENT, FRONT RETAINER
18	730800	1	WELDMENT, FRONT RETAINER, SHORT
19	730802	1	BOLT, M5-0.8 X 35 HH SS
20	730985	1	ASSEMBLY, LOWER SQU HOSE
21	731130	1	BOLT, M5-0.8 X 40 HH SS
22	731144	1	CLAMP, HOSE, 2.25 - 3.25

SIDE SQUEEGEE GROUP - RH (730120)

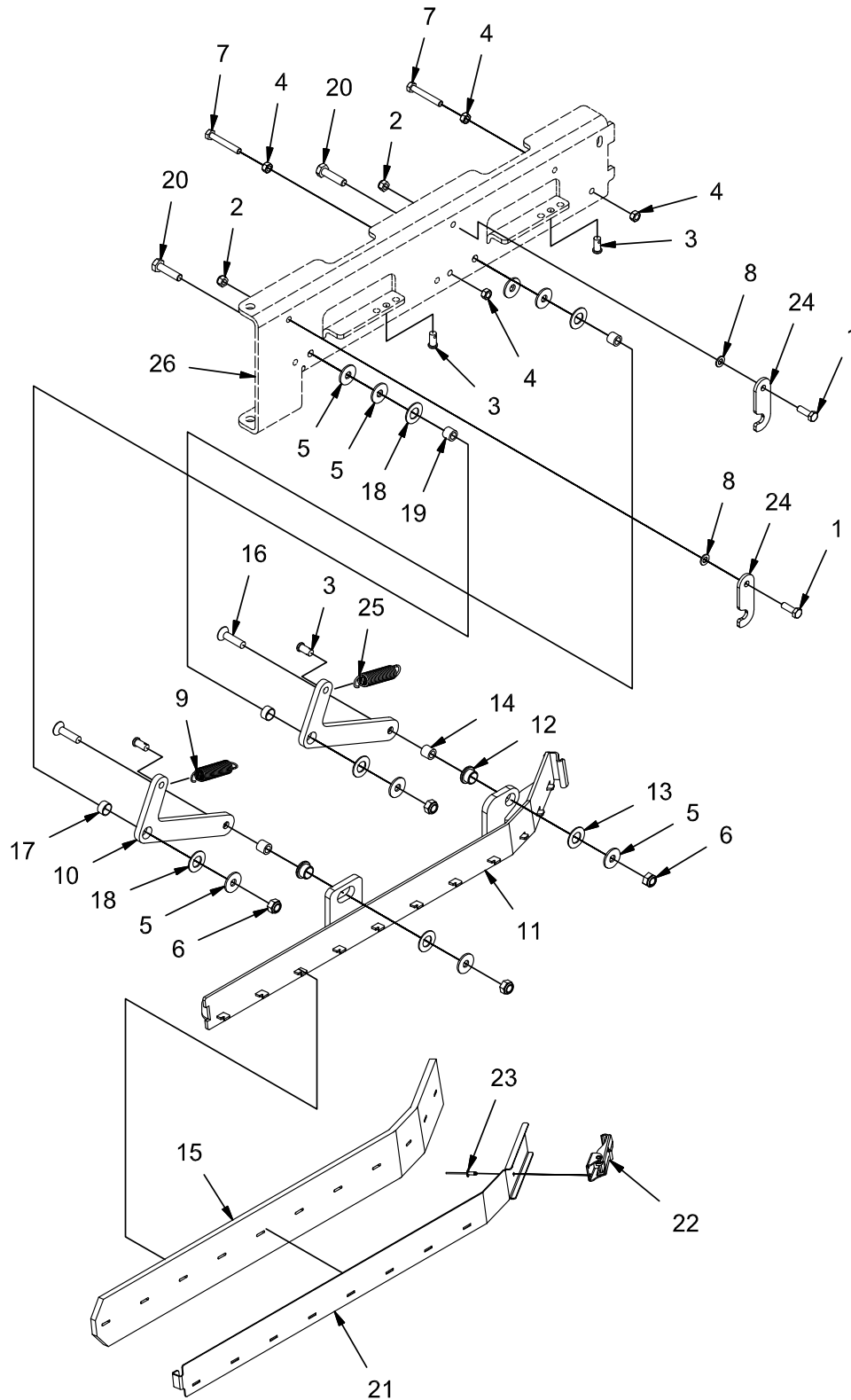


REV B

SIDE SQUEEGEE GROUP - RH (730120)

Parts List 730120			
ITEM	PART NUMBER	QTY	DESCRIPTION
1	11039567	2	BOLT, M8-1.25 X 25 HH SS
2	12040259	2	NUT, M8-1.25 ESN SS
3	711679	4	PIN, CLEVIS, .375 X .75
4	717029	4	NUT, M8-1.25 SS
5	717040	8	WASHER, FENDER, .413 B 1.18 OD .098 T SS
6	730339	4	NUT, M10-1.50 ESN SS
7	730346	2	ARM, SIDE SQU, RH
8	730507	2	BOLT, M8-1.25 X 55 HH SS
9	730609	2	WASHER, M8 SS
10	730619	1	SPRING, EXT, .07 W .75 OD 3.50 L SS
11	730630	1	WELDMENT, SQU MNT, RH
12	730640	2	BUSHING, BRONZE FLANGED, .62 B .75 OD .50T
13	730641	2	WASHER, BACKED THRUST .66 B 1.25 OD .06 T
14	730643	2	SPACER, .406 B .623 OD .570 T SS
15	730644	1	SQUEEGEE, SIDE
16	730645	2	SCREW, M10-1.50 X 40 FLAT HD SOC HD SS
17	730646	2	BEARING, DU, .63 B .72 OD .38 T
18	730647	4	WASHER, THRUST, .66 B 1.25 OD .06 T
19	730648	2	SPACER, .406 B .624 OD .515 T SS
20	730649	2	BOLT, M10-1.50 X 40 HH SS
21	730650	1	STRAP, RH SQU
22	730652	1	LATCH, UNDER CENTER
23	730654	2	RIVET,BLIND, .156 D X .062 - .125 GRIP SS
24	730990	2	LATCH, DOUBLE SCRUB
25	731183	1	SPRING, EXT, .09 W .75 OD 3.50 L SS
26	REF	-	SQU MNT CHANNEL, RH

SIDE SQUEEGEE GROUP - LH (730157)

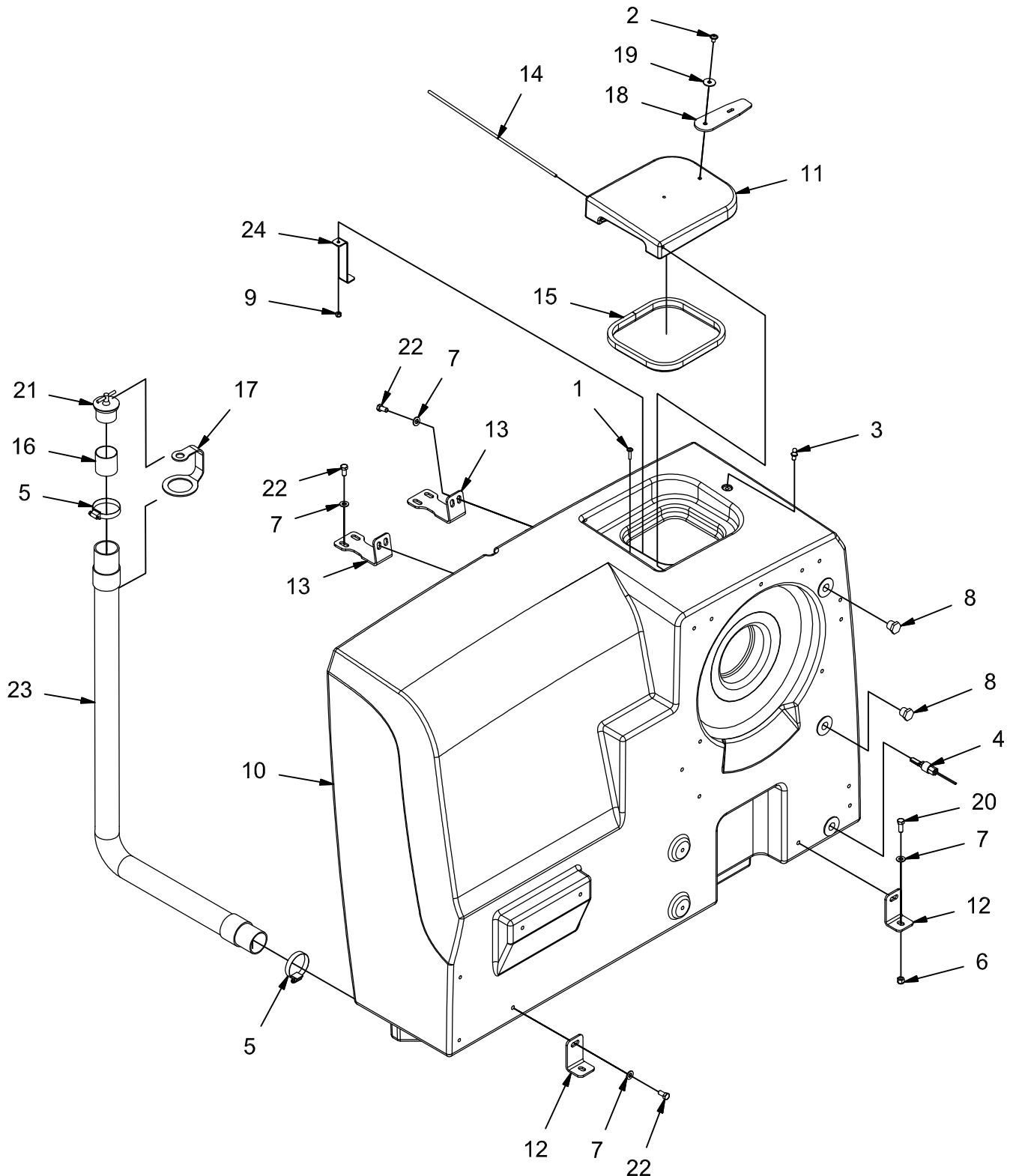


REV B

SIDE SQUEEGEE GROUP - LH (730157)

Parts List 730157			
ITEM	PART NUMBER	QTY	DESCRIPTION
1	11039567	2	BOLT, M8-1.25 X 25 HH SS
2	12040259	2	NUT, M8-1.25 ESN SS
3	711679	4	PIN, CLEVIS, .375 X .75
4	717029	4	NUT, M8-1.25 SS
5	717040	8	WASHER, FENDER, .413 B 1.18 OD .098 T SS
6	730339	4	NUT, M10-1.50 ESN SS
7	730507	2	BOLT, M8-1.25 X 55 HH SS
8	730609	2	WASHER, M8 SS
9	730619	1	SPRING, EXT, .07 W .75 OD 3.50 L SS
10	730620	2	ARM, SIDE SQU, LH
11	730637	1	WELDMENT, SQU MNT, LH
12	730640	2	BUSHING, BRONZE FLANGED, .62 B .75 OD .50T
13	730641	2	WASHER, BACKED THRUST .66 B 1.25 OD .06 T
14	730643	2	SPACER, .406 B .623 OD .570 T SS
15	730644	1	SQUEEGEE, SIDE
16	730645	2	SCREW, M10-1.50 X 40 FLAT HD SOC HD SS
17	730646	2	BEARING, DU, .63 B .72 OD .38 T
18	730647	4	WASHER, THRUST, .66 B 1.25 OD .06 T
19	730648	2	SPACER, .406 B .624 OD .515 T SS
20	730649	2	BOLT, M10-1.50 X 40 HH SS
21	730651	1	STRAP, LH SQU
22	730652	1	LATCH, UNDER CENTER
23	730654	2	RIVET, BLIND, .156 D X .062 - .125 GRIP SS
24	730990	2	LATCH, DOUBLE SCRUB
25	731183	1	SPRING, EXT, .09 W .75 OD 3.50 L SS
26	REF	-	SQU MNT CHANNEL, LH

SOLUTION TANK GROUP (730121)

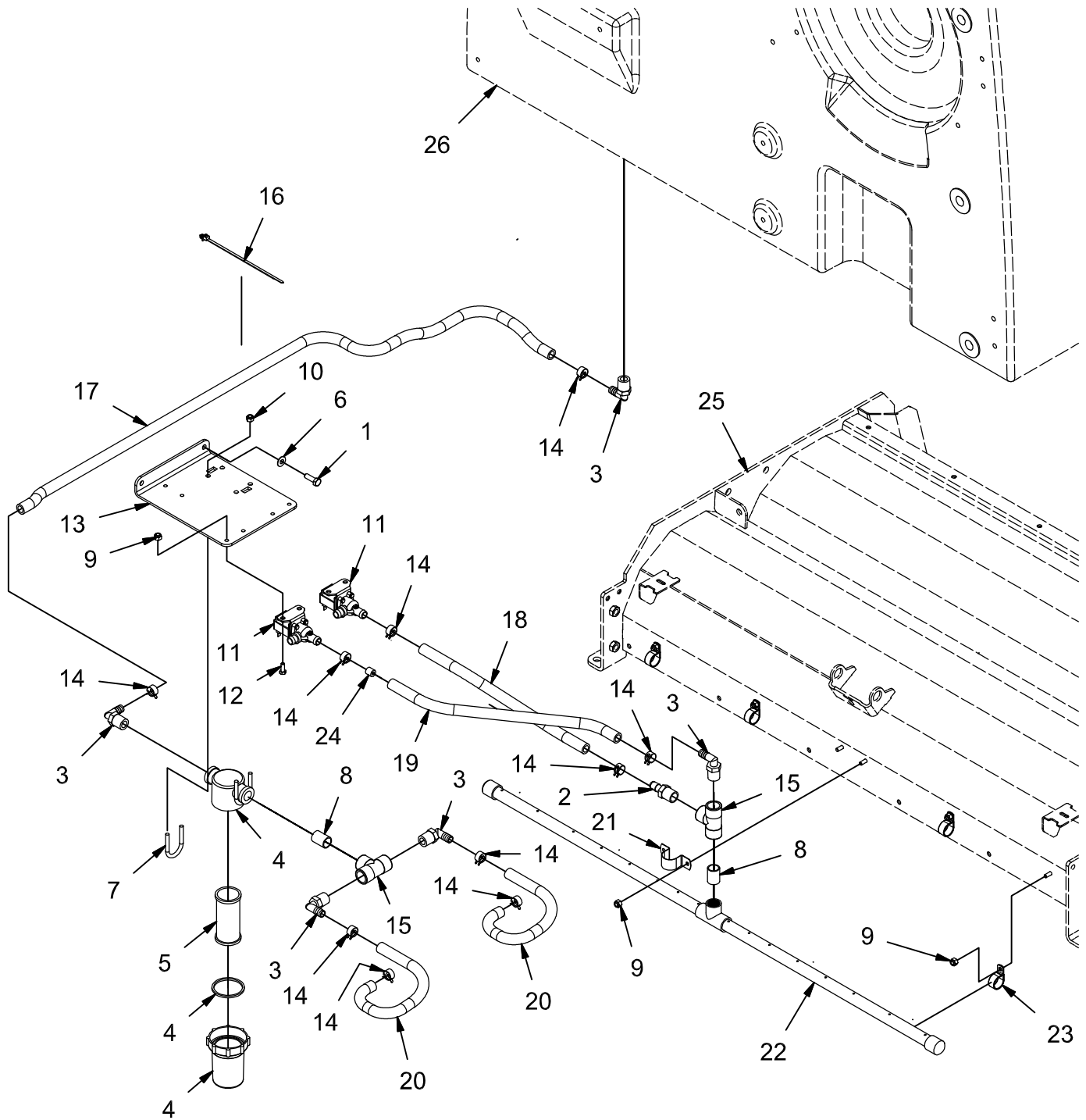


REV D

SOLUTION TANK GROUP (730121)

Parts List 730121			
ITEM	PART NUMBER	QTY	DESCRIPTION
1	11177161	1	SCREW, M6-1.00 X 25 BUTTON HD CAP W/FLANGE SS
2	11177253	1	SC BHCS W/ FLANGE M8-1.25 X 12 SS
3	3300376	1	STUD, 10MM BALL
4	3302737-1	1	WIRE ASSY, SWITCH - LEVEL LS7
5	3312189	2	CLAMP, HOSE, 2.00
6	3400340	2	NUT, 3/8-16 ESN SS
7	3400385	8	WASHER, 3/8, BELLEVILLE
8	500122	2	1/2 NPT PLASTIC PLUG
9	600933	1	NUT, M6-1.00 ESN SS
10	730458	1	TANK, SOLUTION
11	730480	1	COVER, ACCESS, SOL TANK
12	730491	2	BRACKET, TANK MNT
13	730492	2	BRACKET, TANK MNT
14	730493	1	ROD, SOL COVER
15	730494	1	SEAL, SOL COVER
16	730518	1	TUBE, SS
17	730520	1	LANYARD, CAP
18	730525	1	RETAINER, COVER
19	730526	1	WASHER, M8 FENDER SS
20	730529	2	SCREW, 3/8-16 X 1.00 HH SS
21	730531	1	PLUG, EXPANSION, 1.88
22	730959	6	SCREW, 3/8-16 X .750 HHC SS
23	730987	1	ASSEMBLY, SOL DRAIN HOSE
24	731184	1	INDICATOR, FULL TANK

SOLUTION CONTROL GROUP (730123)

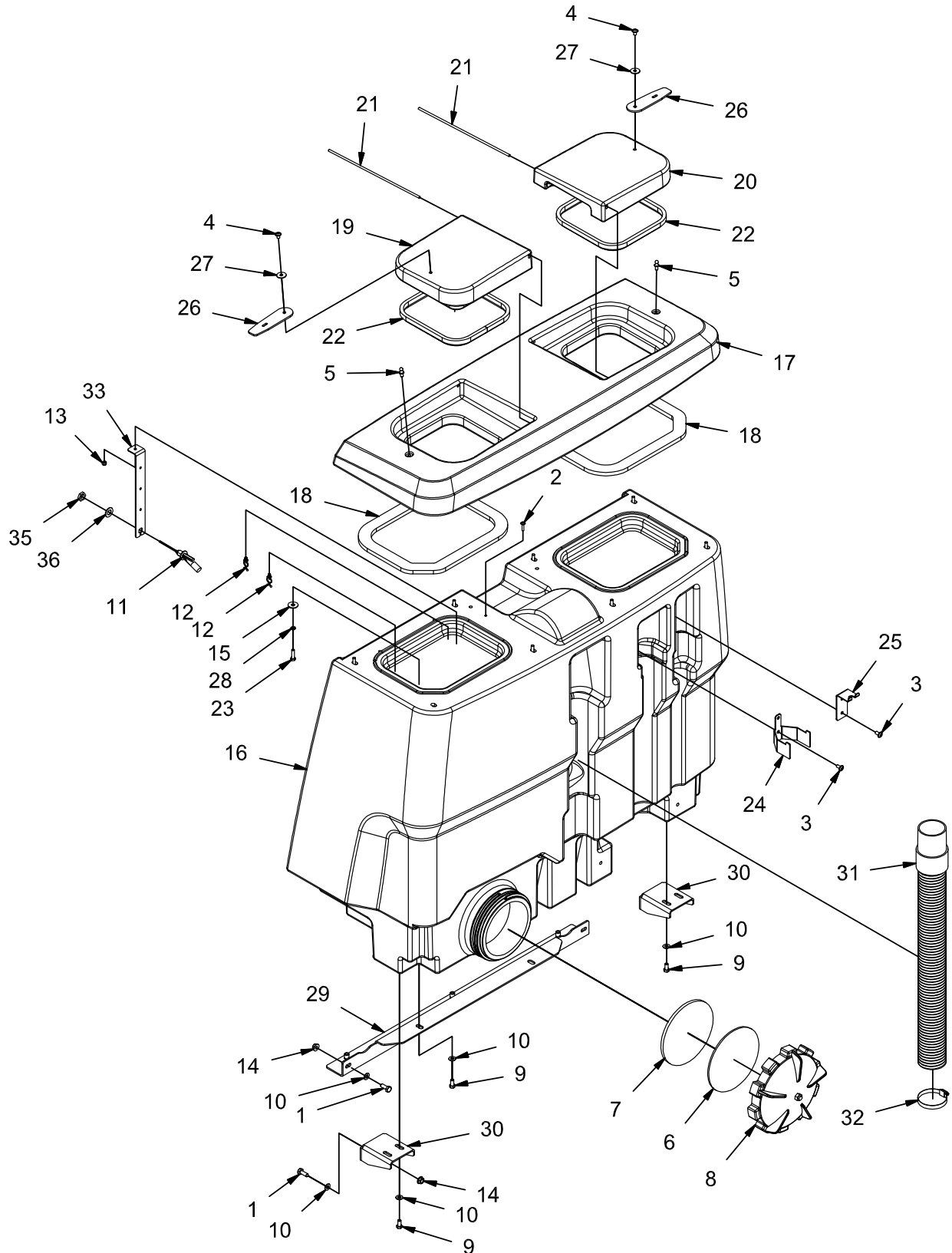


REV C

SOLUTION CONTROL GROUP (730123)

Parts List 730123			
ITEM	PART NUMBER	QTY	DESCRIPTION
1	11038247	2	BLT-HH M8-1.25 X 25 STL ZINC
2	3315534	1	FITTING, PLASTIC, STR, .50 NPT .50 BARB
3	3315535	5	FITTING, PLASTIC, 90, .50 NPT .50 BARB
4	3323501	1	FILTER ASSEMBLY
5	3332264	1	FILTER ELEMENT - SERVICE
6	3400384	2	WASHER, 5/16 BELLEVILLE
7	3401981	2	CLAMP
8	383465	2	1/2 NPT CLOSE PIPE NIPPLE, BRASS
9	600933	10	NUT, M6-1.00 ESN SS
10	712667	4	NUT, FIBER INSERT 1/4-20 SS
11	730899	2	VALVE, SOLENOID, 12-V W/.406 DIA. ORIFICE
12	730934	4	BOLT, M6-1.00 X 16 HH SS
13	730955	1	BRACKET, FILTER MNT
14	730962	10	CLAMP, WIRE HOSE
15	730966	2	FITTING, PVC TEE, FEMALE 1/2 NPT
16	730968	5	TIE, MOUNTED CABLE
17	730970	1	TUBING, .50 ID X 51.00 VINYL
18	730971	1	TUBING, .50 ID X 18.50 VINYL
19	730972	1	TUBING, .50 ID X 20.75 VINYL
20	730973	2	TUBING, .50 ID X 14.00 VINYL
21	730974	1	CLAMP, CONDUIT, 1"
22	731214	1	SOLUTION DELIVERY BAR
23	731218	4	CLAMP, .88 HOSE
24	731244	1	ORIFICE, SOLUTION
25	REF.	-	SCRUB HEAD
26	REF.	-	SOLUTION TANK

RECOVERY TANK GROUP (730122)

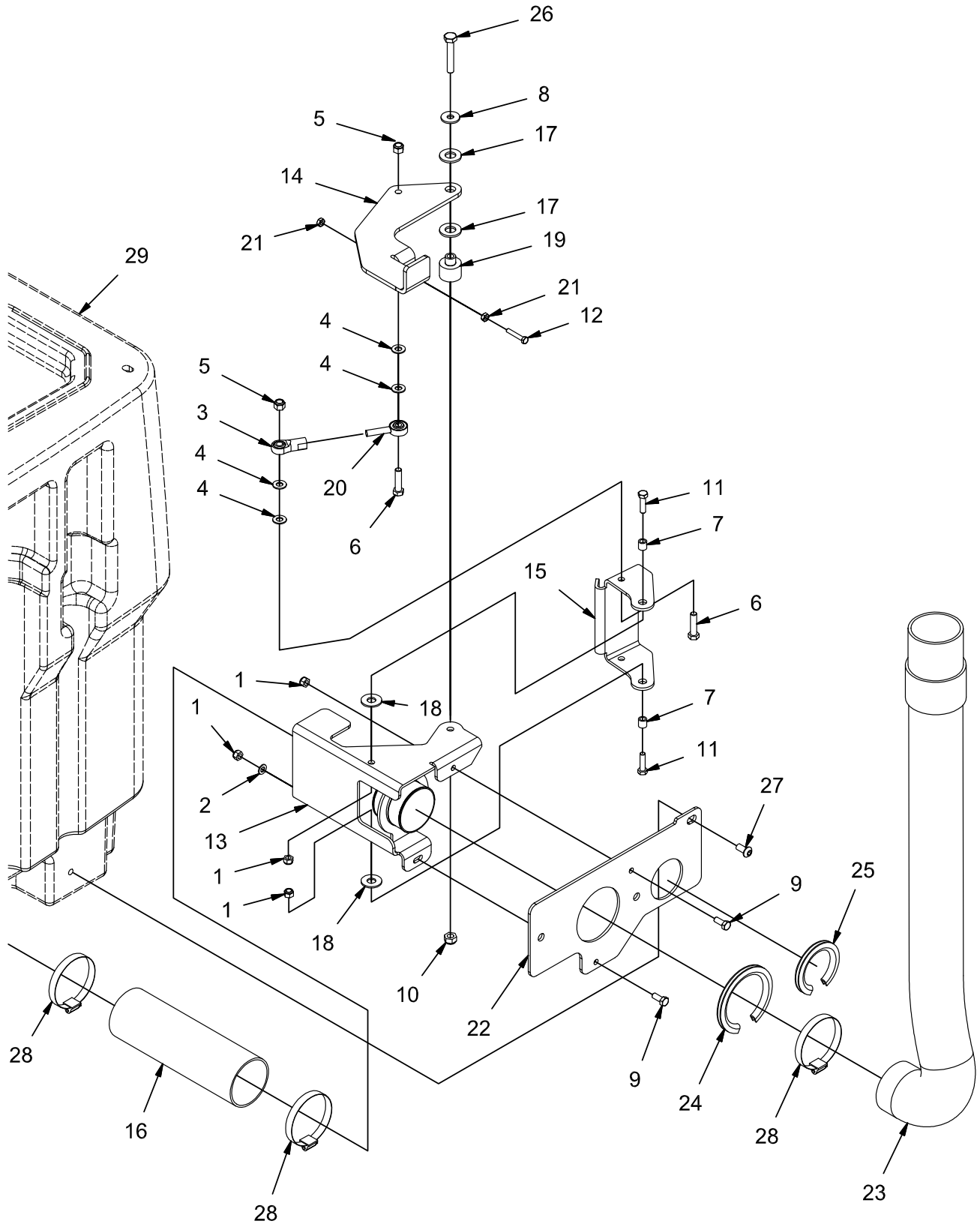


REV E

RECOVERY TANK GROUP (730122)

Parts List 730122			
ITEM	PART NUMBER	QTY	DESCRIPTION
1	11039328	6	BOLT, M10-1.50 X 25 HH SS
2	11177161	1	SCREW, M6-1.00 X 25 BUTTON HD CAP W/FLANGE SS
3	11177187	4	SC-BHCS W/ FLANGE M8 X 1.25 X 16 SS
4	11177253	2	SC BHCS W/ FLANGE M8-1.25 X 12 SS
5	3300376	2	STUD, 10MM BALL
6	3309098	1	PLATE, BACKING FOR 9" CAP GASKET
7	3315258	1	SEAL, CAP
8	3336811	1	ASSEMBLY, CLEAN OUT CAP
9	3400335	4	SCREW, 3/8-16 X .750 HH SS
10	3400385	10	WASHER, 3/8, BELLEVILLE
11	500133-1	1	WIRE ASSY, SWITCH - FLOAT
12	600581	2	CLAMP, WIRE CLIP
13	600933	1	NUT, M6-1.00 ESN SS
14	600936	6	NUT, M10-1.50 FLNG
15	717040	8	WASHER, FENDER, .413 B 1.18 OD .098 T SS
16	730490	1	TANK, RECOVERY
17	730495	1	DEMISTER
18	730496	2	SEAL, DEMISTER
19	730497	1	COVER, LH REC TANK
20	730503	1	COVER, RH REC TANK
21	730504	2	ROD, REC COVER
22	730505	2	SEAL, REC COVER
23	730506	8	BOLT, M8-125 X 30 HH SS
24	730515	1	RETAINER, HOSE
25	730519	1	RETAINER, SOL HOSE
26	730525	2	RETAINER, COVER
27	730526	2	WASHER, M8 FENDER SS
28	730527	8	LOCK WASHER, M8 SS
29	730803-1	1	ASSEMBLY, SUPPORT BEAM
30	730805	2	WELDMENT, TANK BRACKET
31	730984	1	ASSEMBLY, UPPER SQUEEGEE HOSE
32	731144	1	CLAMP, HOSE, 2.25 - 3.25
33	731185	1	REC TANK FLOAT SW MNT
34	748997	1	WIRE ASSY, SWITCH - FLOAT
35	PART OF 500133	1	NUT
36	PART OF 500133	1	GASKET

RECOVERY TANK DRAIN GROUP (730155)

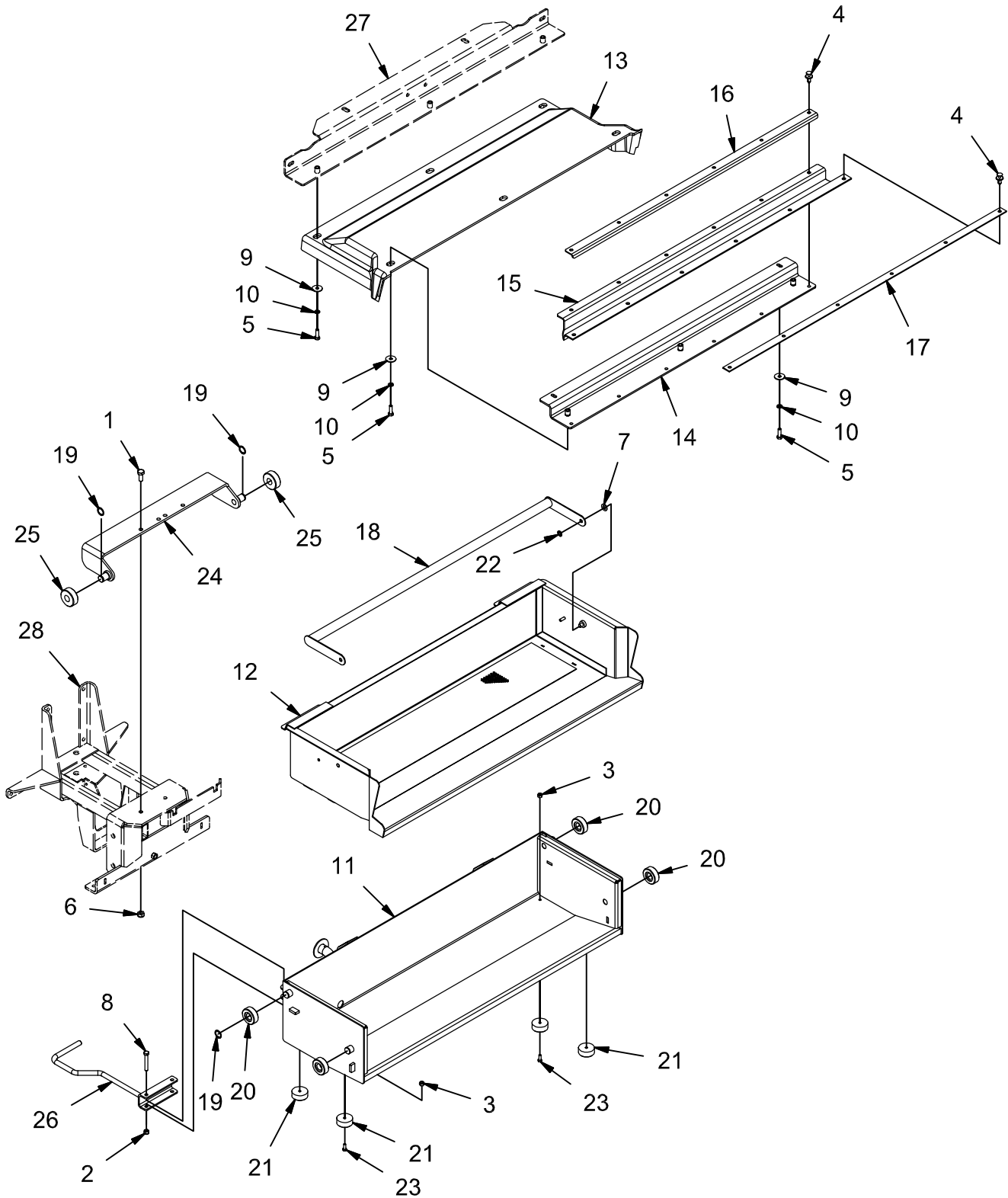


REV C

RECOVERY TANK DRAIN GROUP (730155)

Parts List 730155			
ITEM	PART NUMBER	QTY	DESCRIPTION
1	12040259	4	NUT, M8-1.25 ESN SS
2	12310041	1	WASHER, M8
3	3308762	1	ROD END, 3/8 FEM
4	3400087	4	WASHER, 3/8
5	3400340	2	NUT, 3/8-16 ESN SS
6	3400455	2	SCREW, 3/8-16 X 1.50 HH SS
7	600114	2	SPACER, .328 B .498 OD .500 T
8	600363	1	WASHER, ISOLATOR
9	717030	2	BOLT, M8-1.25 X 20 HH SS
10	730339	1	NUT, M10-1.50 ESN SS
11	730506	2	BOLT, M8-125 X 30 HH SS
12	730508	1	BOLT, M6-1.00 X 35 HH full thread SS
13	730509	1	WELDMENT, VALVE BODY
14	730513	1	HANDLE, VALVE
15	730514	1	GATE, VALVE
16	730517	1	TUBE, DRAIN VALVE
17	730521	2	WASHER, NYLON, 5/8
18	730522	2	WASHER, NYLON, 1/2
19	730523	1	BAR, LEVER PIVOT
20	730524	1	ROD END, 3/8, MALE
21	730653	2	NUT, M6-1.00 SS
22	730716	1	MOUNT PLT, VALVE
23	730986	1	ASSEMBLY, DRAIN HOSE
24	731140	1	EDGING, 3/16 X 12.0"
25	731141	1	EDGING, 3/16 X 8.44"
26	731142	1	BOLT, M10-1.50 X 60 HH SS
27	731143	2	BOLT, 3/8-16 X .75 BUTTON HD CAP SS
28	731144	3	CLAMP, HOSE, 2.25 - 3.25
29	REF.	-	TANK, RECOVERY

HOPPER GROUP (730124)

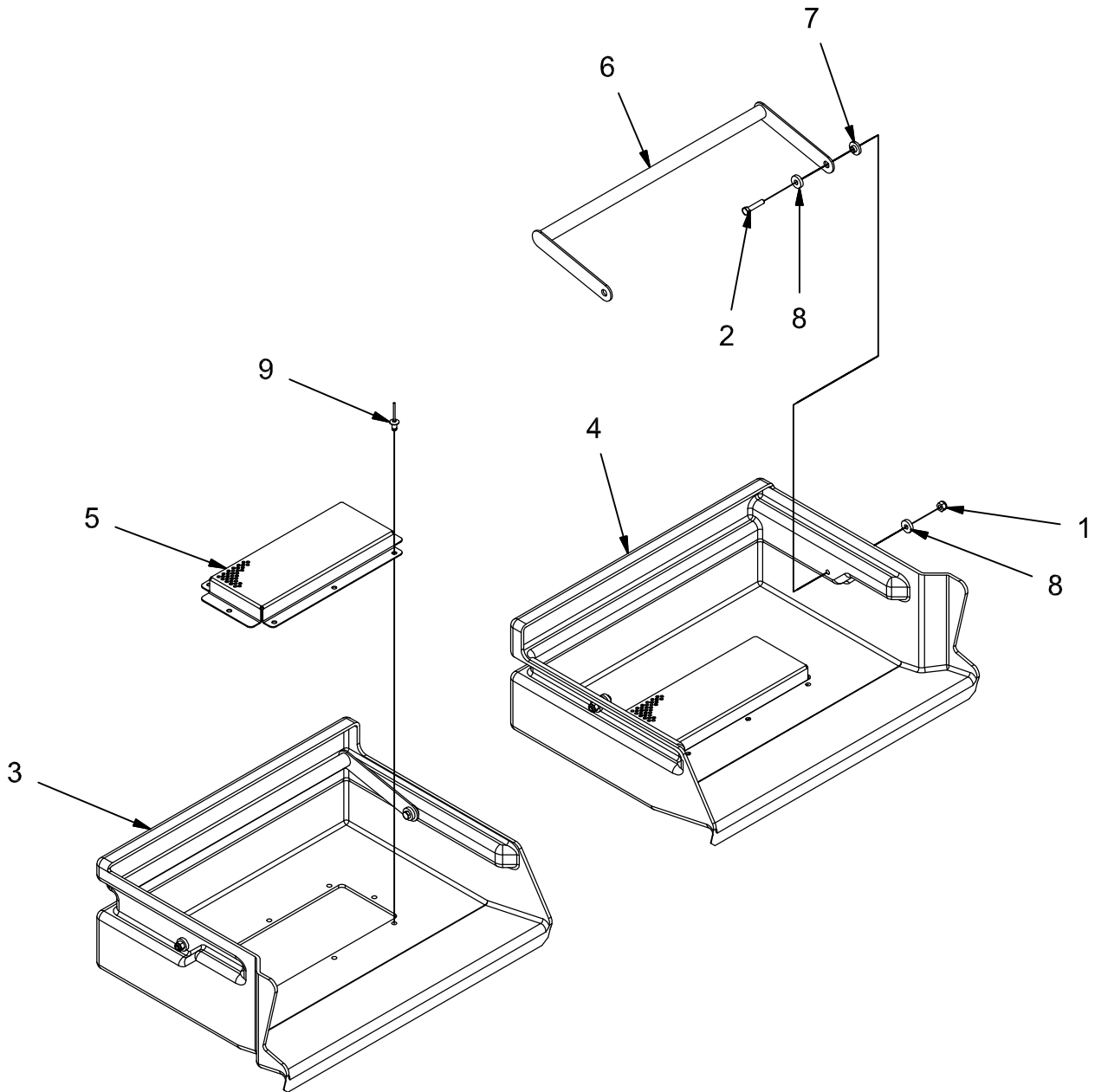


REV D

HOPPER GROUP (730124)

Parts List 730124			
ITEM	PART NUMBER	QTY	DESCRIPTION
1	11038346	2	BOLT, M10-1.50 X 25 HH
2	12040259	2	NUT, M8-1.25 ESN SS
3	600933	4	NUT, M6-1.00 ESN SS
4	600965	12	FASTENER, PRESS-IN
5	11039567	8	BOLT, M8-1.25 X 25 HH SS
6	730339	2	NUT, M10-1.50 ESN SS
7	730344	2	WASHER, M10 SS
8	730507	2	BOLT, M8-1.25 X 55 HH SS
9	730526	8	WASHER, M8 FENDER SS
10	730527	8	LOCK WASHER, M8, SS
11	730807	1	WELDMENT, CRADLE
12	730815	1	WELDMENT, HOPPER
13	730825-1	1	COVER, HOPPER
14	730826-1	1	ASSEMBLY, COVER SUPPORT
15	730828	1	SEAL, HOPPER
16	730829	1	RETAINER, SEAL
17	730830	1	RETAINER, SEAL
18	730835	1	WELDMENT, HANDLE
19	730841	6	RETAINING RING, .75
20	730842	4	WHEEL
21	730843	4	SKID
22	730844	2	RETAINING CLIP, .375 SS
23	730845	4	BOLT, M6-100 X 16 HH SS
24	731133	1	WELDMENT, PUSH BRACKET
25	731136	2	ROLLER
26	731156-1	1	WELDMENT, CRADLE HANDLE
27	REF	-	SUPPORT BEAM
28	REF.	-	SQUEEGEE LIFT

PLASTIC HOPPER GROUP (730173)

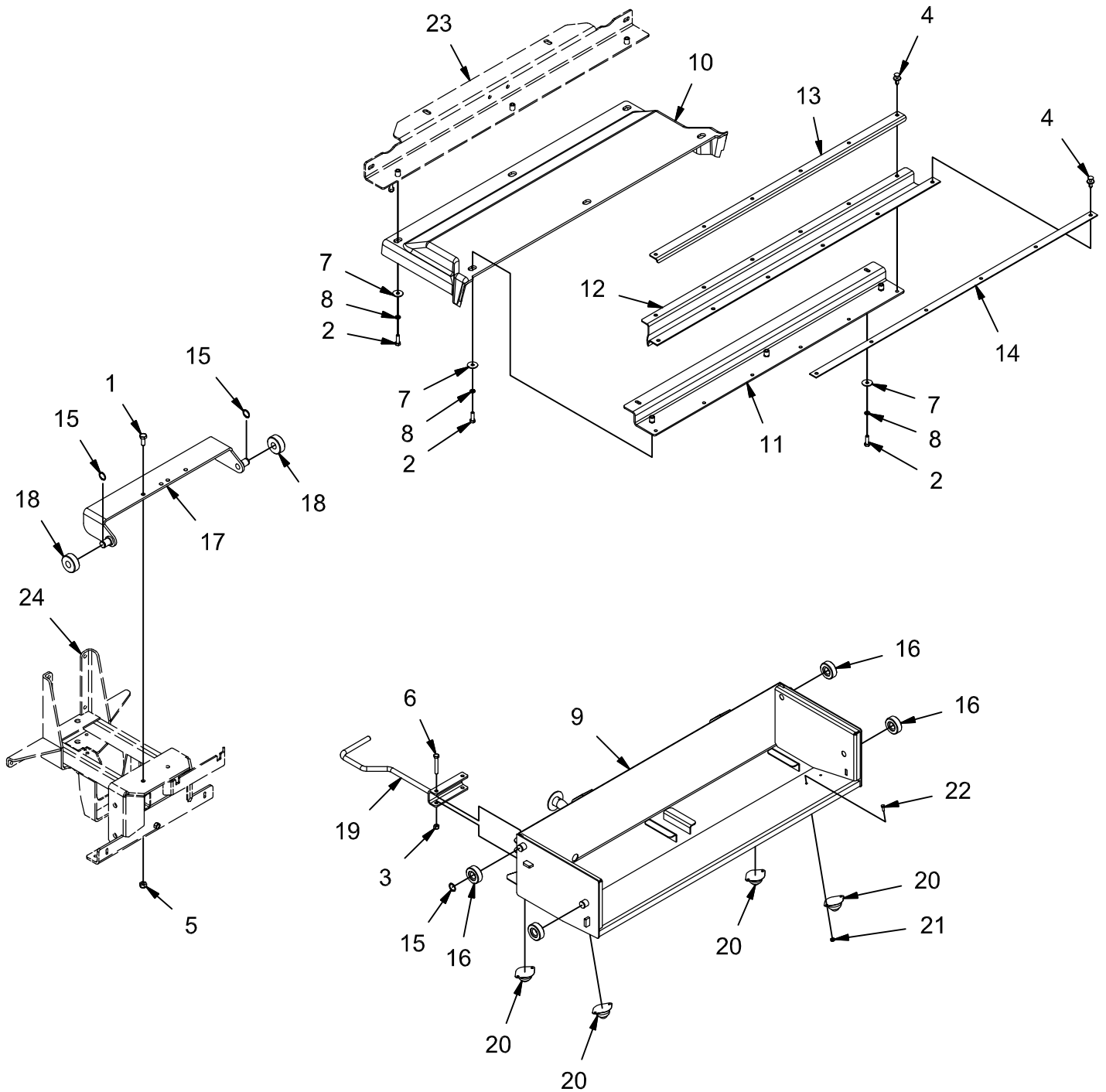


REV *

PLASTIC HOPPER GROUP (730173)

Parts List 730173			
ITEM	PART NUMBER	QTY	DESCRIPTION
1	600933	4	NUT, M6-1.00 ESN SS
2	731050	4	BOLT, M6-100 X 30 HH SS
3	731245-1	1	HOPPER, RIGHT
4	731246-1	1	HOPPER, LEFT
5	731247	2	SCREEN, HOPPER
6	731248	2	WELDMENT, HANDLE
7	731251	4	SPACER, PIVOT
8	731252	8	WASHER, THICK FENDER, M6, SS
9	731253	16	RIVET, BLIND, .25 D X .062 - .250 GRIP ALU

HOPPER CRADLE GROUP (730174)

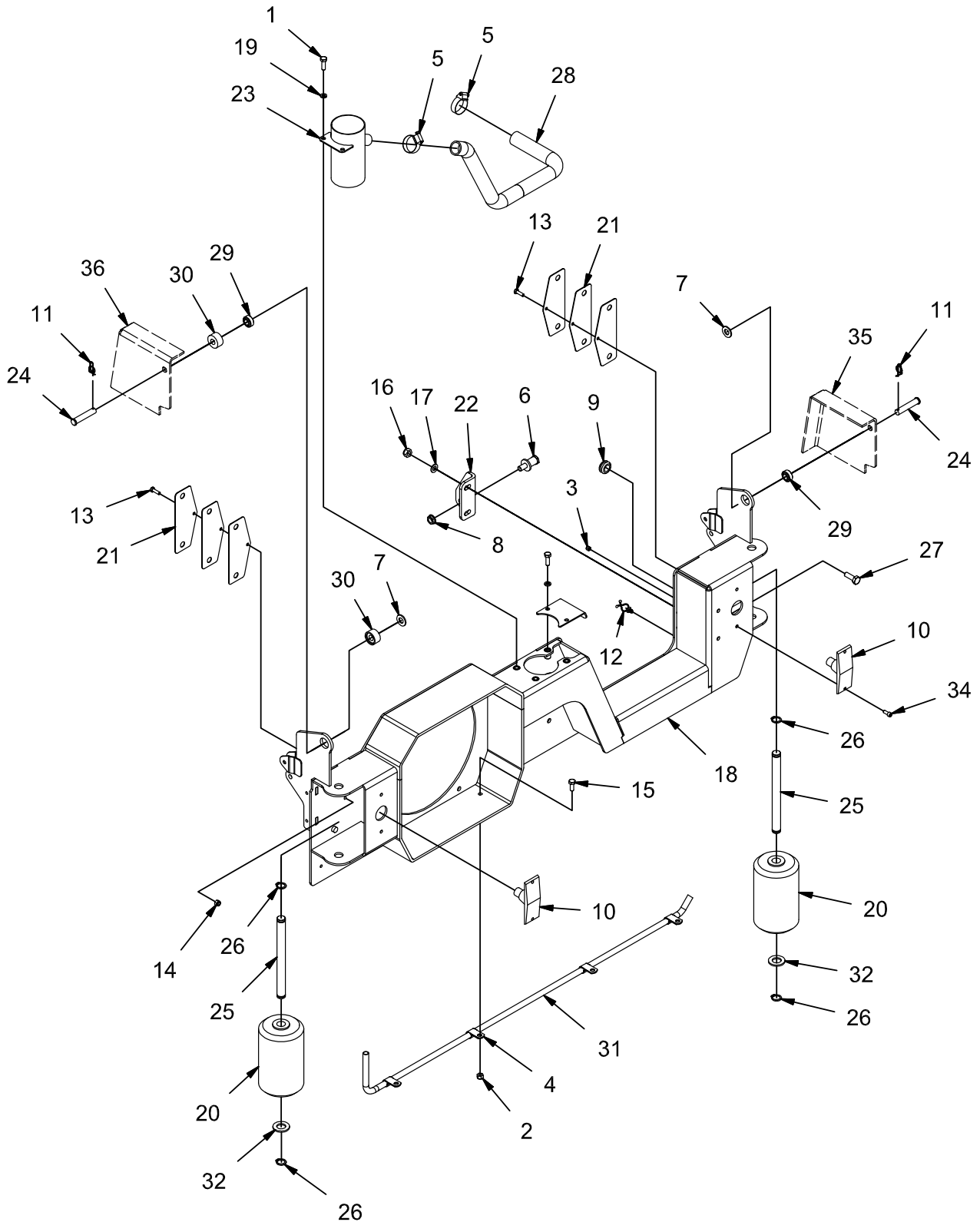


REV *

HOPPER CRADLE GROUP (730174)

Parts List 730124			
ITEM	PART NUMBER	QTY	DESCRIPTION
1	11038346	2	BOLT, M10-1.50 X 25 HH
2	11039567	8	BOLT, M8-1.25 X 25 HH SS
3	12040259	2	NUT, M8-1.25 ESN SS
4	600965	12	FASTENER, PRESS-IN
5	730339	2	NUT, M10-1.50 ESN SS
6	730507	2	BOLT, M8-1.25 X 55 HH SS
7	730526	8	WASHER, M8 FENDER SS
8	730527	8	LOCK WASHER, M8, SS
9	730807	1	WELDMENT, CRADLE
10	730825-1	1	COVER, HOPPER
11	730826-1	1	ASSEMBLY, COVER SUPPORT
12	730828	1	SEAL, HOPPER
13	730829	1	RETAINER, SEAL
14	730830	1	RETAINER, SEAL
15	730841	6	RETAINING RING, .75
16	730842	4	WHEEL
17	731133	1	WELDMENT, PUSH BRACKET
18	731136	2	ROLLER
19	731156-1	1	WELDMENT, CRADLE HANDLE
20	731239	4	BALL, ROLLER, 1" SS
21	731242	8	NUT, 10-32 ESN SS
22	731243	8	SCREW,#10-32 X .50 HH SS
23	REF	-	SUPPORT BEAM
24	REF.	-	SQUEEGEE LIFT

REAR BUMPER GROUP (730125)

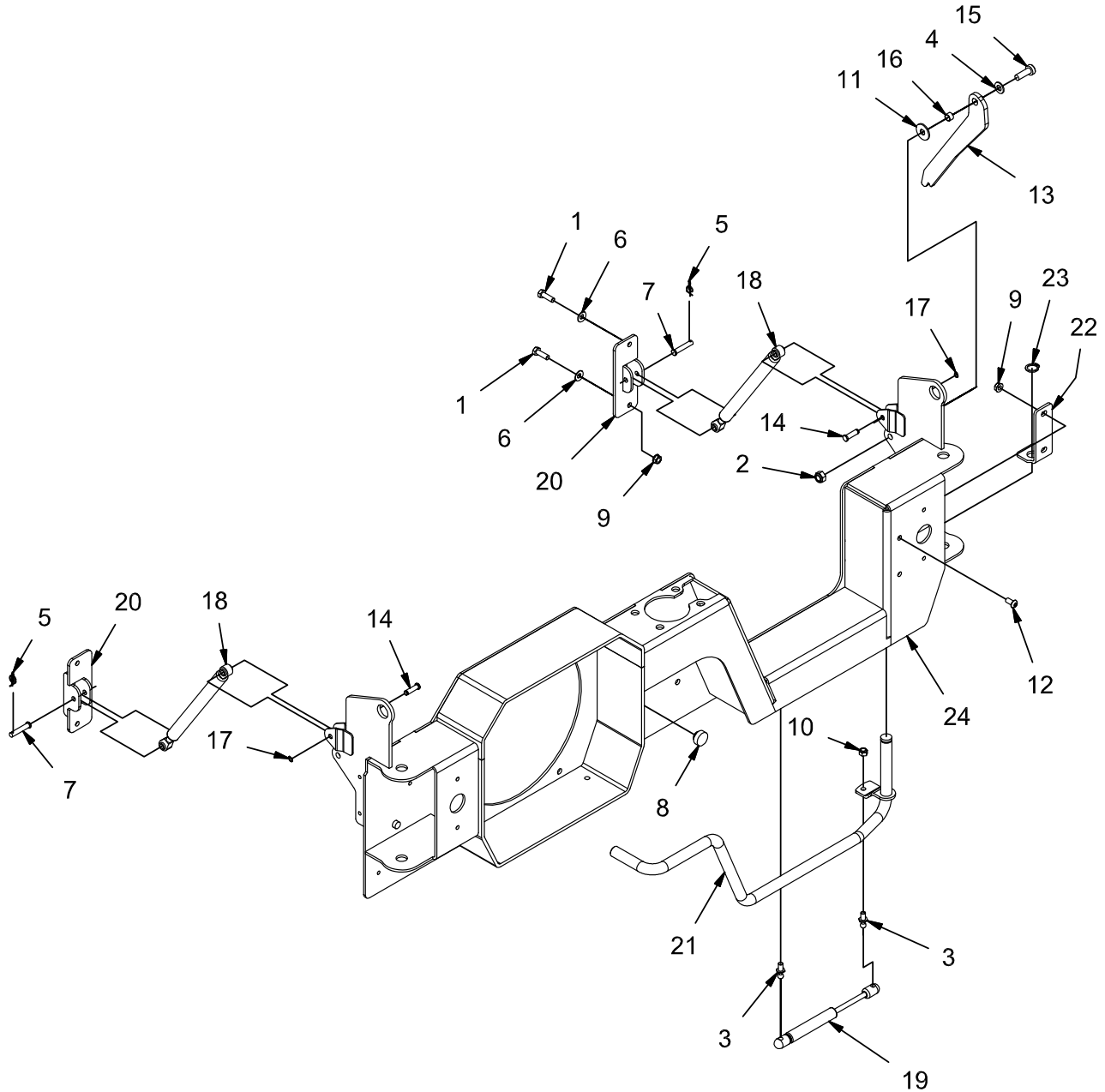


REV H

REAR BUMPER GROUP (730125)

Parts List 730125			
ITEM	PART NUMBER	QTY	DESCRIPTION
1	11039567	4	BOLT, M8-1.25 X 25 HH SS
2	12040259	4	NUT, M8-1.25 ESN SS
3	12040283	4	NUT, M5 - 0.8 ESN SS
4	3301158	4	CLAMP, .50 HOSE
5	3302193	2	CLAMP, HOSE, .75 - 1.25
6	3307248	1	STRIKER-LATCH
7	3400086	2	WASHER, 1/2, 1.063 X .531 X .094
8	3400394	1	NUT, 7/16-14 FLNG
9	600151	1	GROMMET, .63 ID .88 OD .25 T
10	600514-1	2	TAIL LIGHT
11	600578	2	RUE-RING, .50
12	600581	2	CLAMP, WIRE CLIP
13	600913	2	BOLT, M6-1.00 X 20 HH SS
14	600933	2	NUT, M6-1.00 ESN SS
15	717030	4	BOLT, M8-1.25 X 20 HH SS
16	730339	2	NUT, M10-1.50 ESN SS
17	730344	2	WASHER, M10 SS
18	730360-1	1	ASSEMBLY, BUMPER
19	730527	4	LOCK WASHER, M8, SS
20	730719	2	ROLLER
21	730778	6	SHIM PLT
22	730789	1	STRIKER MNT LH
23	730868	1	WELDMENT, SQU TUBE
24	730875	2	PIN, CLEVIS 1/2 X 2.50 ZP
25	730876	2	PIN, ROLLER
26	730877	4	RETAINING RING, EXT, .750
27	730878	2	BOLT, M10-1.50 X 30 HH SS
28	730879	1	TUBING, HOPPER VAC
29	730882	2	BEARING, SPHERICAL
30	730883	2	SPACER, BUMPER
31	730885	1	TUBE, WIRE
32	730886	2	FLAT WASHER, .75 ZP
33	731189	1	COVER, HOSE PORT
34	831206	4	SCREW, M5-0.8 X 16 SHCS ZP
35	REF	-	FRAME
36	REF	-	FRAME

BUMPER LEFT GROUP (730159)

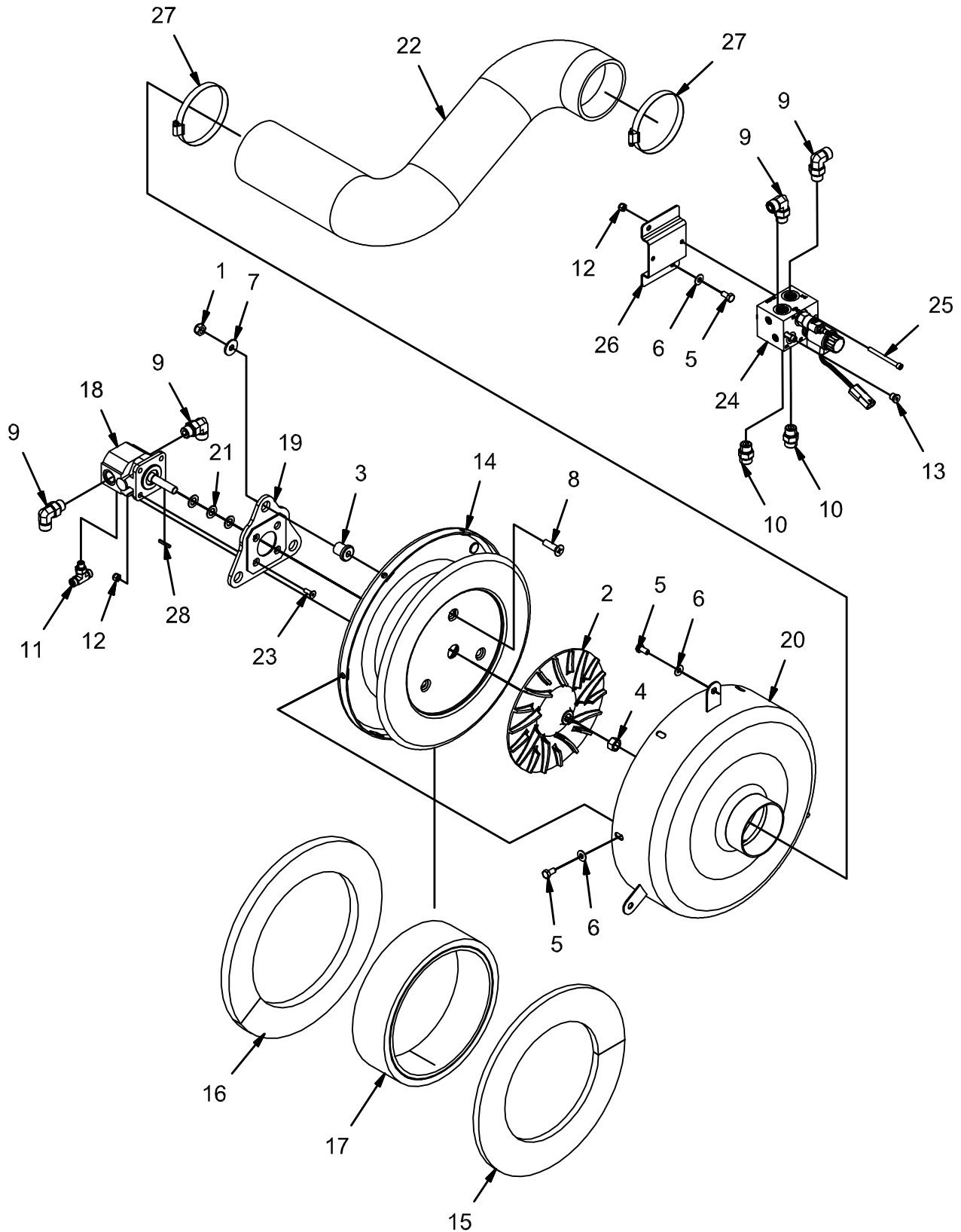


REV E

BUMPER LEFT GROUP (730159)

Parts List 730159			
ITEM	PART NUMBER	QTY	DESCRIPTION
1	11038247	4	BLT-HH M8-1.25 X 25 STL ZINC
2	12040069	1	NUT, M10-1.50 ESN
3	3300376	2	STUD, 10MM BALL
4	3400087	1	WASHER, 3/8
5	3400125	2	RUE-RING, .375
6	3400384	4	WASHER, 5/16 BELLEVILLE
7	3401982	2	PIN, CLEVIS, .313 X 1.625
8	600117	1	BUMPER, 1.00 X .339 T
9	600934	4	NUT, M8-1.25 FLNG
10	711374	2	NUT, FIBER INSERT 5/16-18
11	717040	1	WASHER, FENDER, .413 B 1.18 OD .098 T SS
12	730399	2	SCREW, M8-1.25 X 16 BUTTON HD CAP CZP
13	730758	1	SAFETY ARM
14	730779	2	PIN, BUMPER
15	730872	1	SCREW, M10-1.50 X 30 LOW PROFILE CAP SS
16	730873	1	SPACER, .406 B .498 OD .325 T
17	730874	2	RETAINING RING, EXT, .313
18	730887	2	GAS STRUT, 17.01 EXT 6.89 STK
19	730902	1	GAS STRUT, 8.8 EXT, 3.0 STK, 200N
20	730935	2	WELDMENT, STRUT MOUNT
21	731205	1	WELDMENT, BUMPER LEVER
22	731209	1	W/D, BUMPER, LEVER PIVOT
23	731212	1	RETAINING RING, EXT, HD .750
24	REF	-	REAR BUMPER

IMPELLER GROUP (730126)

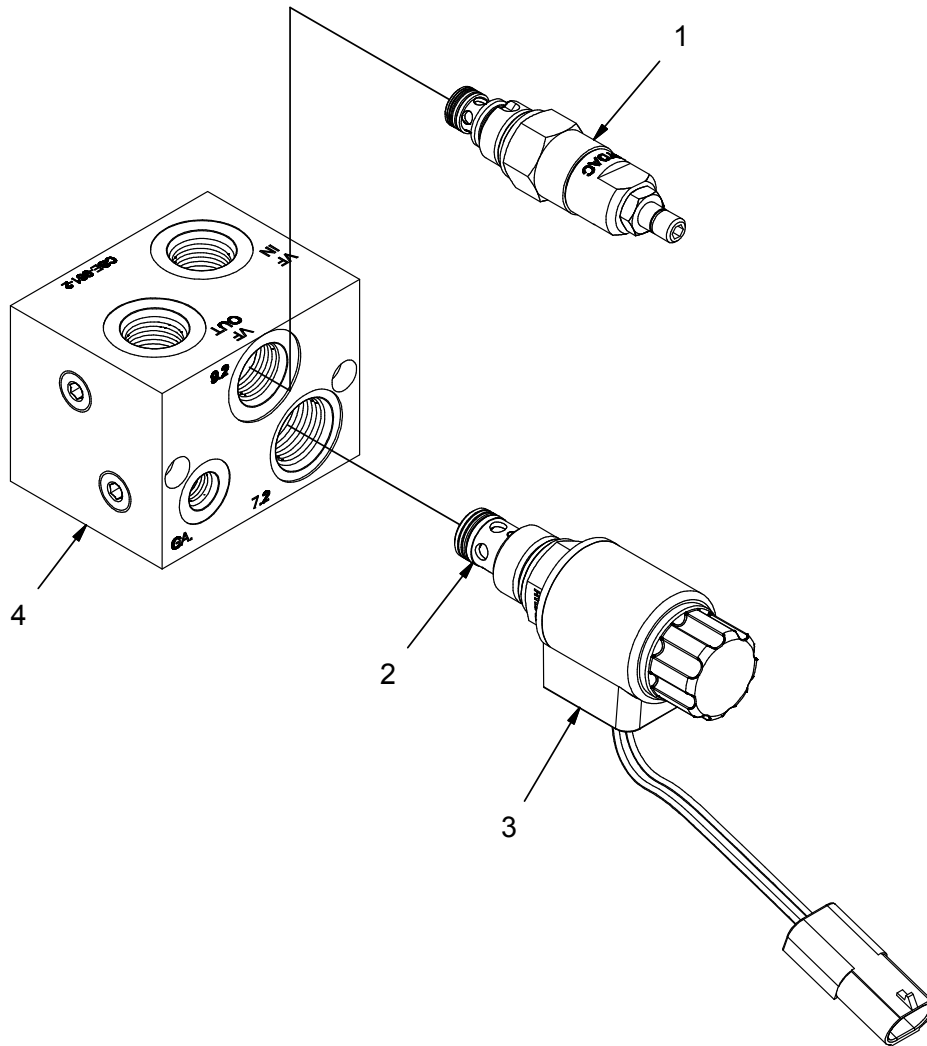


REV C

IMPELLER GROUP (730126)

Parts List 730126			
ITEM	PART NUMBER	QTY	DESCRIPTION
1	12040069	3	NUT, M10-1.50 ESN
2	3300133	1	IMPELLER
3	3300465	3	ISOLATOR, VIB
4	3400064	1	NUT, 1/2-20 UNF ZP
5	3400291	11	BOLT, M8-1.25 X 16 HH
6	3400384	11	WASHER, 5/16 BELLEVILLE
7	600363	3	WASHER, ISOLATOR
8	600954	3	SCREW, M10-1.50 X 35 FHMS
9	675523	4	FITTING, 90, 8 ORFS - 8 SAE
10	675524	2	FITTING, STR, 8 ORFS - 8 SAE
11	675556	1	FITTING, TEE, 4 ORFS - 4 SAE
12	711373	6	NUT, FIBER INSERT 1/4-20
13	3331436	1	FITTING, PLUG, 4 O-RING
14	730463-1	1	IMPELLER HOUSING, MACHINED
15	730466	1	INSULATION, SOUND
16	730467	1	INSULATION, SOUND
17	730468	1	INSULATION, SOUND
18	730470	1	MOTOR, HYD, GEAR
19	730471	1	WELDMENT, MOTOR MNT
20	730474	1	WELDMENT, IMPELLER SHROUD
21	730479	3	PRECISION WASHER, .88 D .51 B .060 T
22	730501	1	HOSE, VACUUM FAN
23	730562	4	SCREW, 1/4-20 X .750 FHMS ZP
24	730790	1	MANIFOLD, IMPELLER
25	730889	2	BOLT, 1/4-20 X 2.75 SOC HD ZP
26	730891	1	BRACKET, MANIFOLD
27	731166	2	CLAMP, HOSE, 3" - 4"
28	PART OF 730470	1	KEY, .125 SQ X 1.00

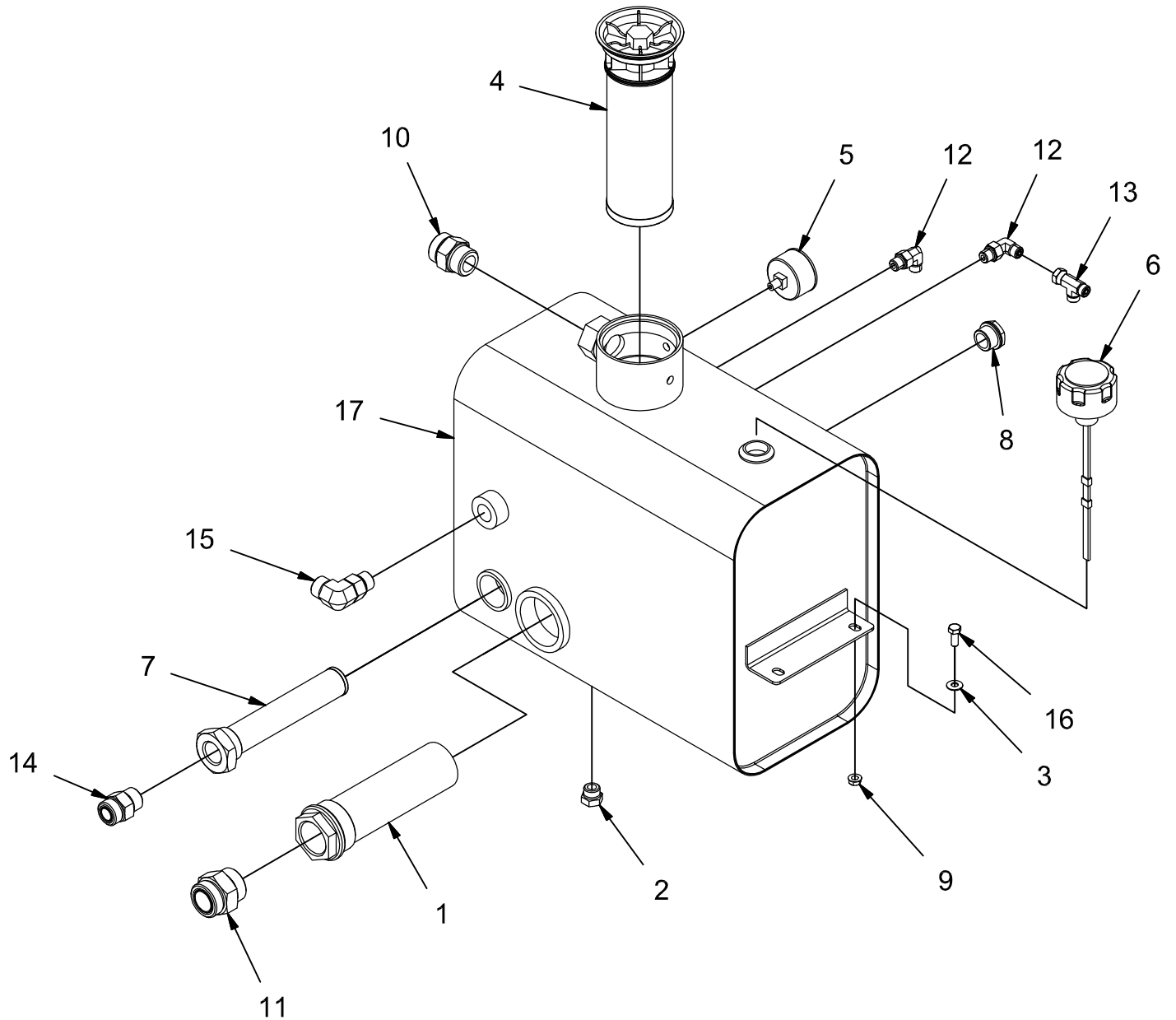
IMPELLER HYDRAULIC MANIFOLD GROUP (730172)



IMPELLER HYDRAULIC MANIFOLD GROUP (730172)

Parts List 730712			
ITEM	PART NUMBER	QTY	DESCRIPTION
1	730701	1	RELIEF VALVE, DB08P-01-C-N-330 V
2	730709	1	SOL. VALVE, WS10Y-01-C-N-0
3	731122	1	COIL, 12V, 3003124
4	731124	1	MANIFOLD BLOCK, IMP

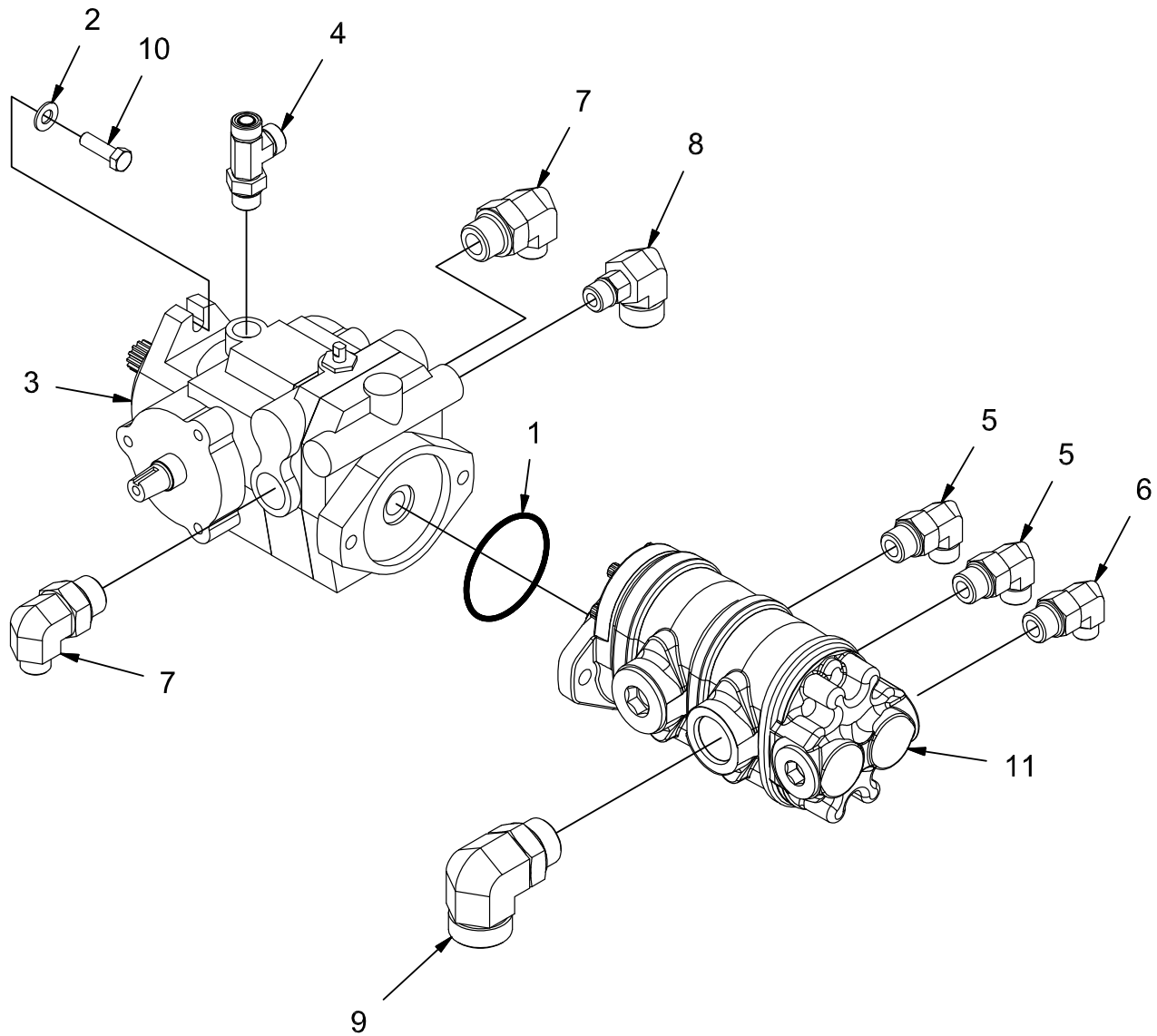
HYDRAULIC RESERVOIR GROUP (730127)



HYDRAULIC RESERVOIR GROUP (730127)

Parts List 730127			
ITEM	PART NUMBER	QTY	DESCRIPTION
1	3343836	1	STRAINER, HYDRAULIC, 20
2	3400164	1	FITTING, PLUG, 8 O-RING
3	3400384	4	WASHER, 5/16 BELLEVILLE
4	600182	1	FILTER ELEMENT, 10 MIC
5	600183	1	GAUGE, 0-60 PSI
6	600184	1	FILLER-BREATHING, 10 MIC
7	600185	1	STRAINER, 12
8	600531	1	SIGHT GAUGE
9	600934	4	NUT, M8-1.25 FLNG
10	675505	1	FITTING, STR, 16 ORFS - 16 SAE
11	675539	1	FITTING, STR, 20 ORFS - 20 SAE
12	675546	2	FITTING, 90, 4 ORFS - 6 SAE
13	675549	1	FITTING, RUN TEE, 4 ORFS - 4 SAE
14	675551	1	FITTING, STR, 12 ORFS - 12 SAE
15	675557	1	FITTING, 90, 10 ORFS - 10 SAE
16	717024	4	BOLT, M8-1.25 X 20 HH
17	730309	1	TANK, HYD RESERVOIR

HYDRAULIC PUMP GROUP (730136)

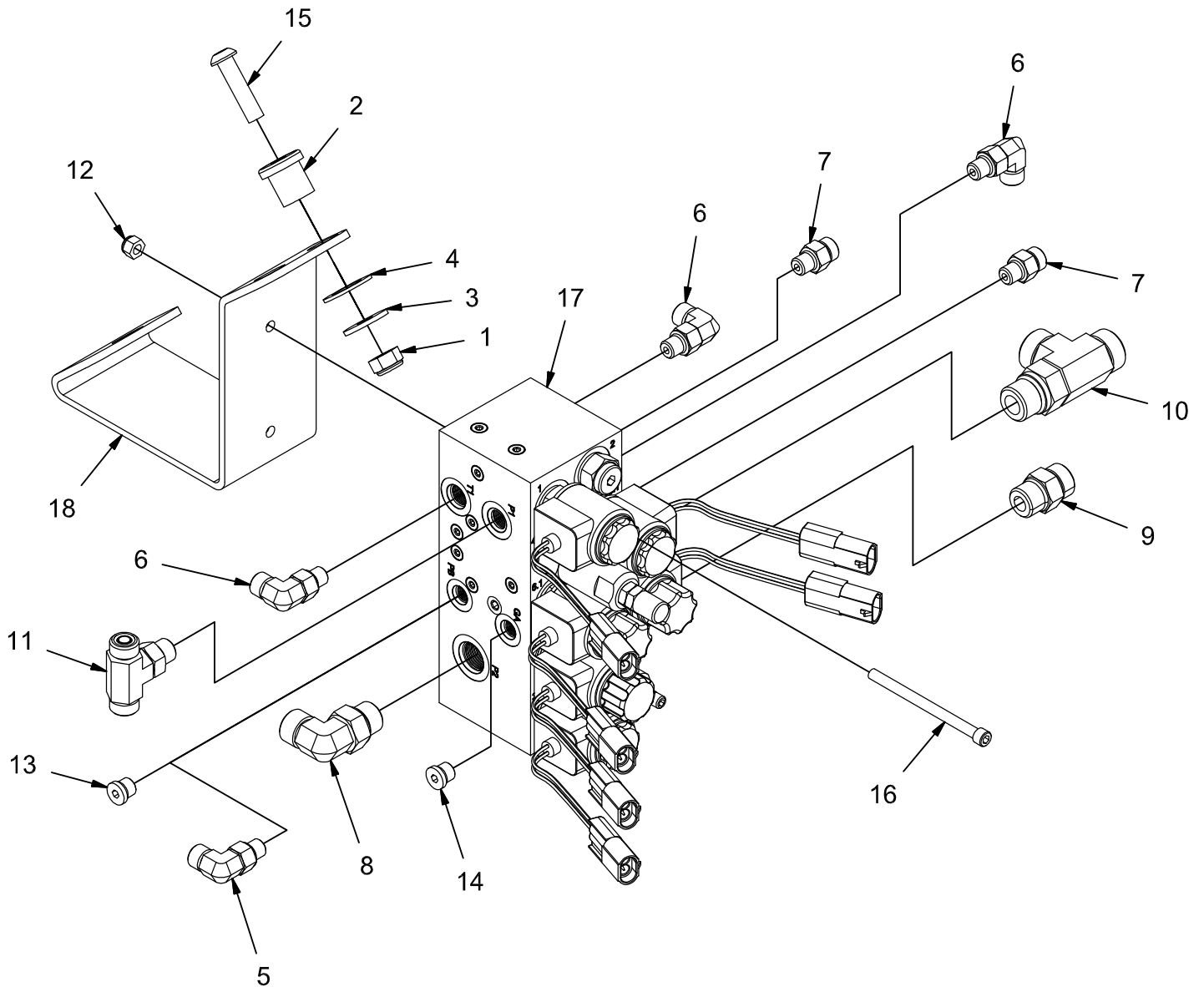


REV *

HYDRAULIC PUMP GROUP (730136)

Parts List - 730136			
ITEM	PART NUMBER	QTY	DESCRIPTION
1	3303711	1	O-RING
2	3400385	2	WASHER, 3/8, BELLEVILLE
3	600215	1	PUMP, PROPULSION
4	675525	1	FITTING, RUN TEE, 8 ORFS - 8 ORFS - 8 SAE
5	675528	2	FITTING, 90, 8 ORFS - 10 SAE
6	675532	1	FITTING, 90, 6 ORFS - 10 SAE
7	675537	2	FITTING, 90, 8 ORFS - 12 SAE
8	675543	1	FITTING, 90, 12 ORFS - 8 SAE
9	675553	1	FTG-STR THD 90 -20 ORFC TO -16 SAE
10	713043	2	SCREW, 3/8-16 X 1.25 HH
11	730310	1	PUMP, AUX

HYDRAULIC VALVE GROUP (730137)

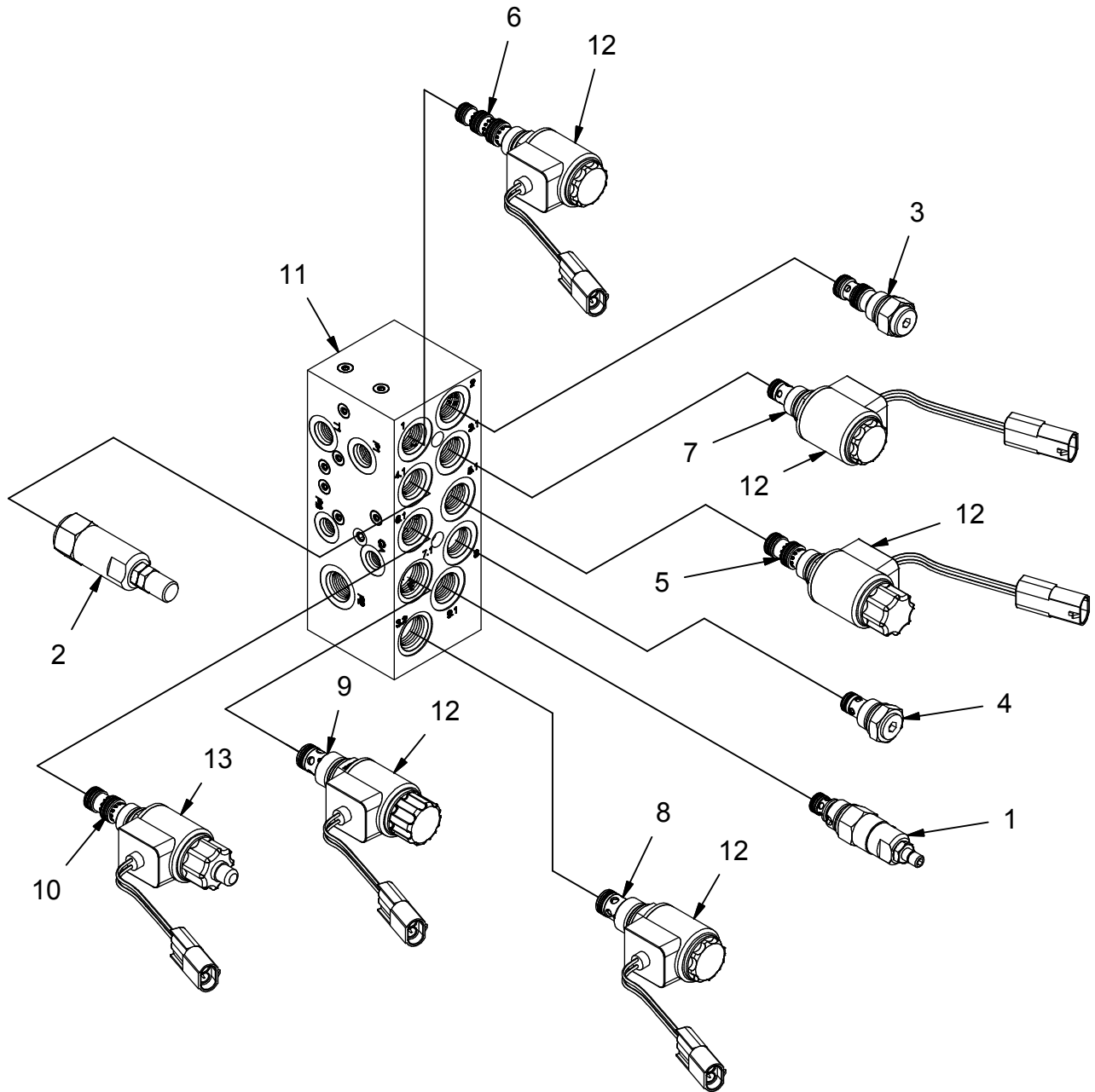


REV *



HYDRAULIC VALVE GROUP (730137)

Parts List 730137			
ITEM	PART NUMBER	QTY	DESCRIPTION
1	12040069	3	NUT, M10-1.50 ESN
2	3300465	3	ISOLATOR, VIB
3	600363	3	WASHER, ISOLATOR
4	66-431-A	3	WASHER, .77 B 1.25 OD .075 T
5	675507	1	FITTING, 90, 4 ORFS - 4 SAE (W/ OPT SIDE BRUSH)
6	675507	3	FITTING, 90, 4 ORFS - 4 SAE
7	675508	2	FITTING, STR, 4 ORFS - 4-SAE
8	675523	1	FITTING, 90, 8 ORFS - 8 SAE
9	675524	1	FITTING, STR, 8 ORFS - 8 SAE
10	675540	1	FITTING, RUN TEE, 10 ORFS - 10 SAE
11	675555	1	FITTING, TEE 6 ORFS - 6 SAE
12	711373	2	NUT, FIBER INSERT 1/4-20
13	3331436	1	FITTING, PLUG 4 O-RING (W/O OPT SIDE BRUSH)
14	3331436	1	FITTING, PLUG, 4 O-RING (GAUGE PORT)
15	730698	3	BOLT, M10-1.50 X 40 BUTTON HD CAP
16	730699	2	BOLT, 1/4-20 X 3.50 SOC HD CAP
17	730700	1	HYDRAULIC MANIFOLD ASSEMBLY
18	730711	1	MOUNT, MANIFOLD

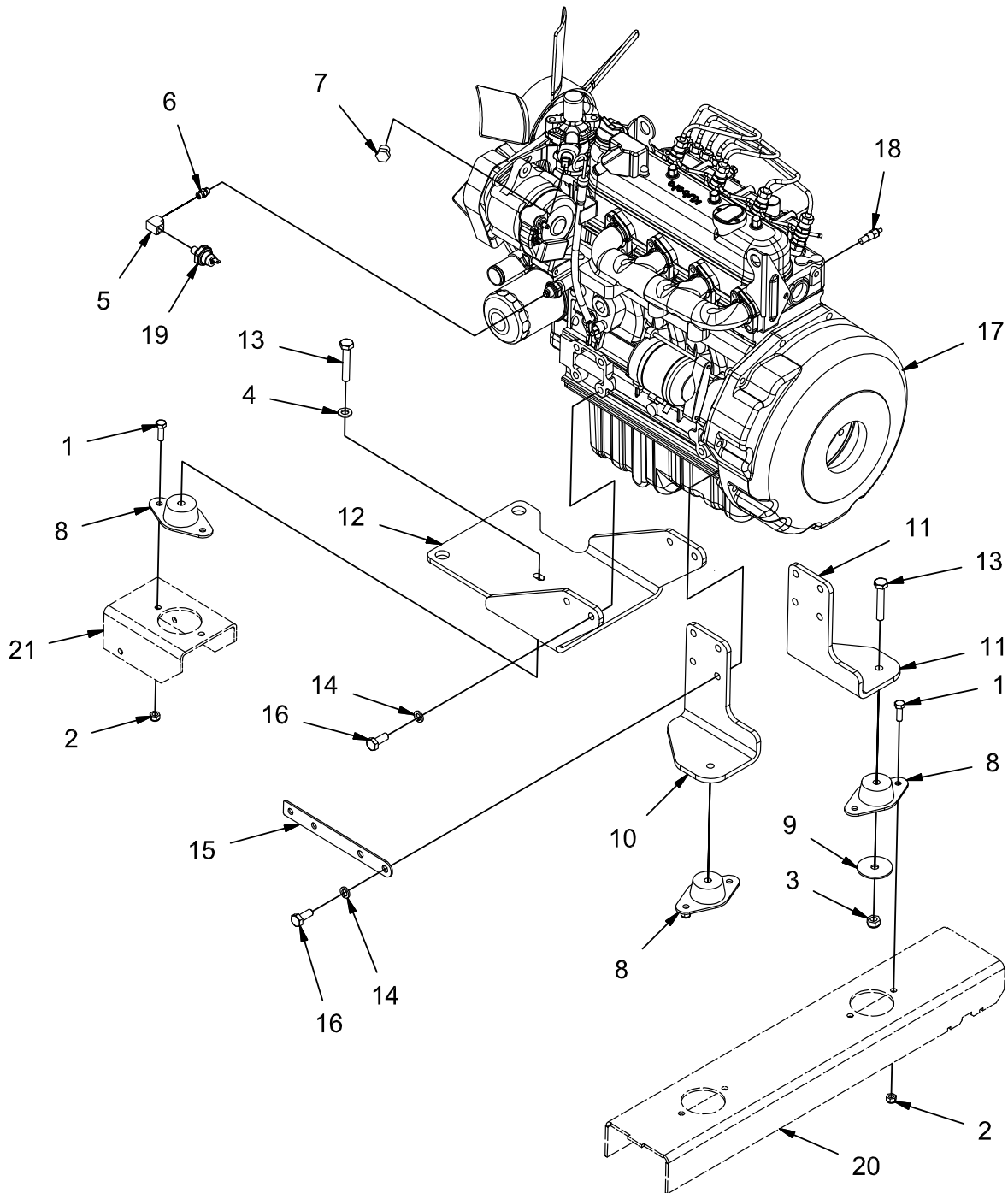
HYDRAULIC MANIFOLD COMPONENTS GROUP (730170)



HYDRAULIC MANIFOLD COMPONENTS GROUP (730170)

Parts List 730170			
ITEM	PART NUMBER	QTY	DESCRIPTION
1	730701	1	PORT 9.1 - RV2 - RELIEF VALVE RELIEF VALVE, DB08P-01-C-N-330 V 250
2	730702	1	PORT 4.1 - RV3 - PRESSURE REDUCTION VALVE SOL. RED. VALVE, DR08-01-C-N-050 V 45
3	730703	1	PORT 2 - CV2 - P.O. CHECK VALVE  P.O. CHECK VALVE, RP08A-01-C-N-15-3
4	730704	1	PORT 8 - CV1 - CHECK VALVE CHECK VALVE, RV08A-01-C-N-05
5	730705	1	PORT 5.1 - SV5 - MAIN BRUSHES DOWN SOL. VALVE, WK08L-01-C-N-0
6	730706	1	PORT 1 - SV7 - SQUEEGEE UP-DN SOL. VALVE, WK08X-01-C-N-0
7	730707	1	PORT 3.1 - SV6 - MAIN BRUSHES UP-LOCK  SOL. VALVE, WS08ZR-01-C-N-0
8	730708	1	PORT 3.2 - SV3 - MAIN BRUSHES ON-OFF SOL. VALVE, WS10ZR-01-C-N-0
9	730709	1	PORT 7.1 - SV2 - ALL OFF SOL. VALVE, WS10Y-01-C-N-0
10	730710	1	PORT 6.1 - SV4 - BRUSH FORCE PROP. RED. VALVE, PDR08-01-M-C-N-070-12PW-2.2
11	731121	1	MANIFOLD BLOCK, MAIN C961-1
12	731122	5	COIL, 12V, 3003124
13	731226	1	COIL, PROPORTIONAL, 12V, 3109947

ENGINE MOUNT GROUP - DIESEL (730128)

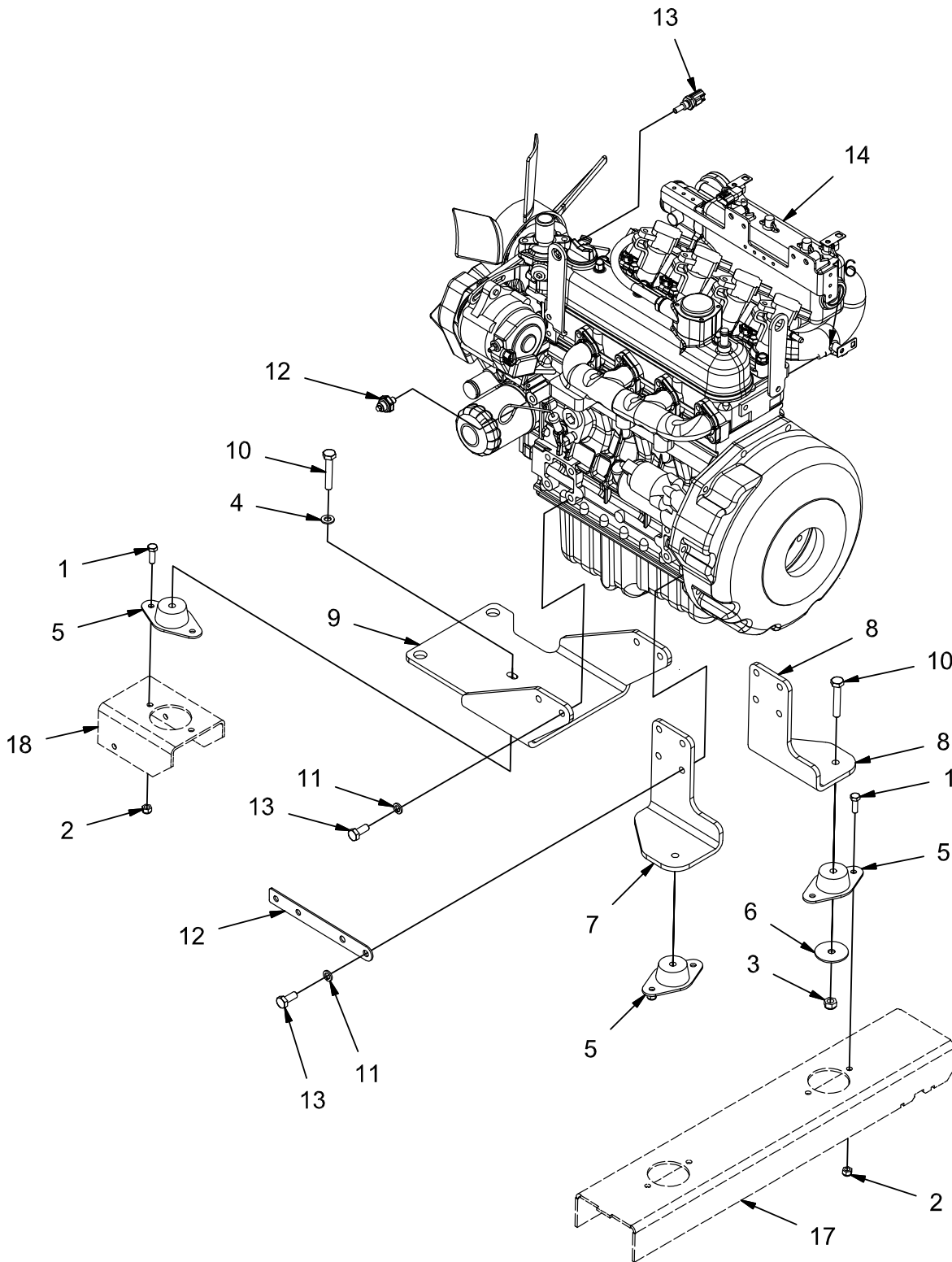


REV *

ENGINE MOUNT GROUP - DIESEL (730128)

Parts List 730128			
ITEM	PART NUMBER	QTY	DESCRIPTION
1	11038247	6	BLT-HH M8-1.25 X 25 STL ZINC
2	12040051	6	NUT, M8-1.25 ESN
3	12040069	3	NUT, M10-1.50 ESN
4	12310058	1	WASHER, M10
5	3301720	1	FTG, BRASS ELBOW, 1/8 FEMALE NPT
6	3305640	1	FITTING, NIPPLE
7	3400194	1	PIPE PLUG, BRASS, 3/8
8	600212	3	ISOLATOR, VIBRATION
9	600333	3	WASHER, SAFETY
10	600881	1	MOUNT, REAR OUTER DIESEL ENG
11	600882	1	MOUNT, REAR INNER DIESEL ENG
12	600899	1	MOUNT, FRONT DIESEL ENG
13	600925	3	BOLT, M10-1.50 X 60 HH
14	600945	12	LOCK WASHER, M10
15	620081	1	MOUNT, HARNESS
16	620082	12	BOLT, M10-1.25 X 25 HH ZP
17	620234	1	ENGINE, DSL, KUBOTA V1505
18	PART OF 620234	1	SWITCH, WATER TEMP (603000)
19	PART OF 620234	1	SWITCH, OIL PRESSURE (603001)
20	REF.	-	FRAME
21	REF.	-	FRAME

ENGINE MOUNT GROUP - GAS (730164)

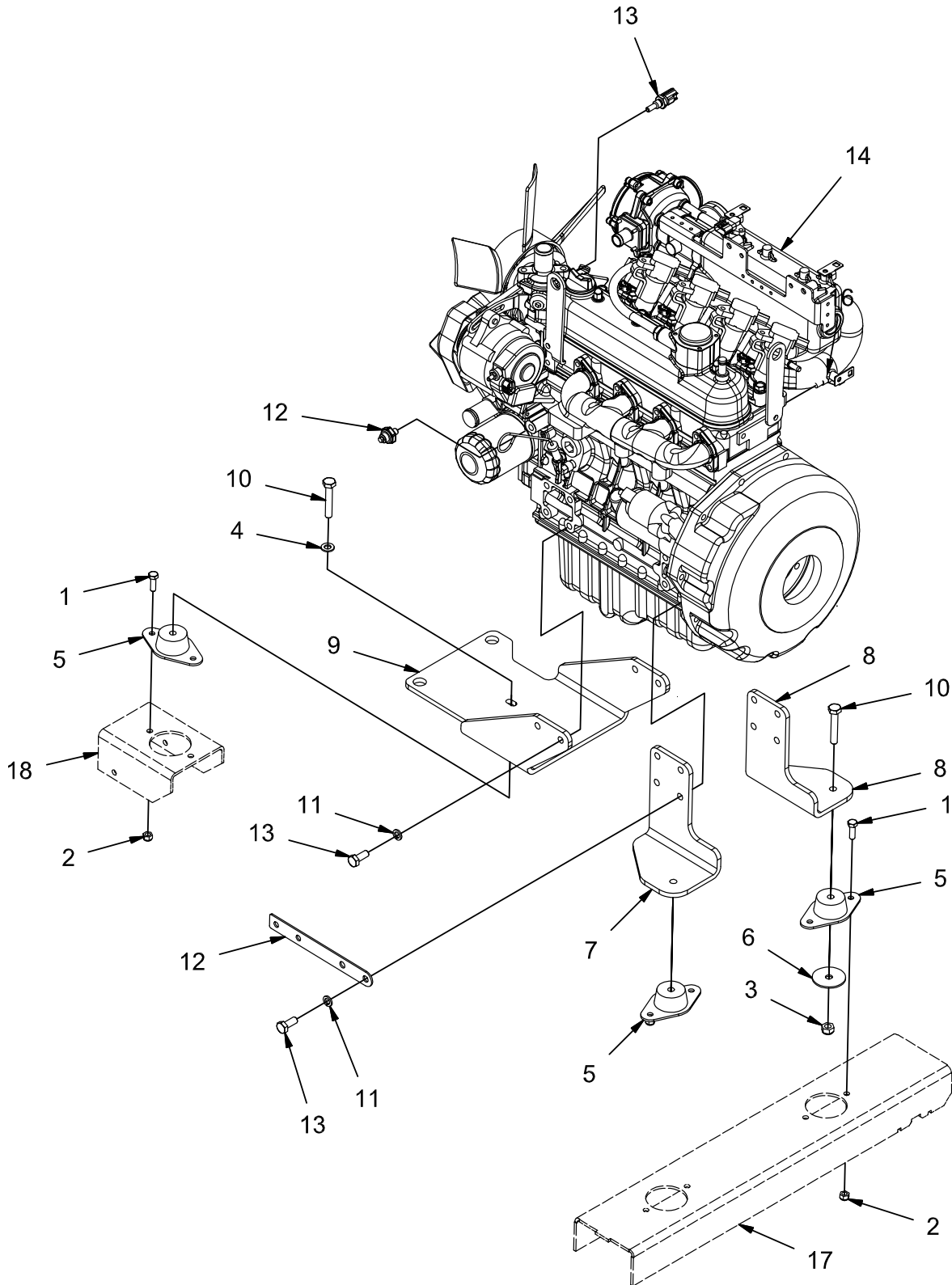


REV *

ENGINE MOUNT GROUP - GAS (730164)

Parts List 730164			
ITEM	PART NUMBER	QTY	DESCRIPTION
1	11038247	6	BLT-HH M8-1.25 X 25 STL ZINC
2	12040051	6	NUT, M8-1.25 ESN
3	12040069	3	NUT, M10-1.50 ESN
4	12310058	1	WASHER, M10
5	600212	3	ISOLATOR, VIBRATION
6	600333	3	WASHER, SAFETY
7	600881	1	MOUNT, REAR OUTER DIESEL ENG
8	600882	1	MOUNT, REAR INNER DIESEL ENG
9	600899	1	MOUNT, FRONT DIESEL ENG
10	600925	3	BOLT, M10-1.50 X 60 HH
11	600945	12	LOCK WASHER, M10
12	620081	1	MOUNT, HARNESS
13	620082	12	BOLT, M10-1.25 X 25 HH ZP
14	620236	1	KUBOTA GAS ENGINE
15	PART OF 620236	1	SWITCH, OIL PRESSURE (603001)
16	PART OF 620236	1	SWITCH, WATER TEMP (603000)
17	REF.	-	FRAME
18	REF.	-	FRAME

ENGINE MOUNT GROUP - LPG (730163)

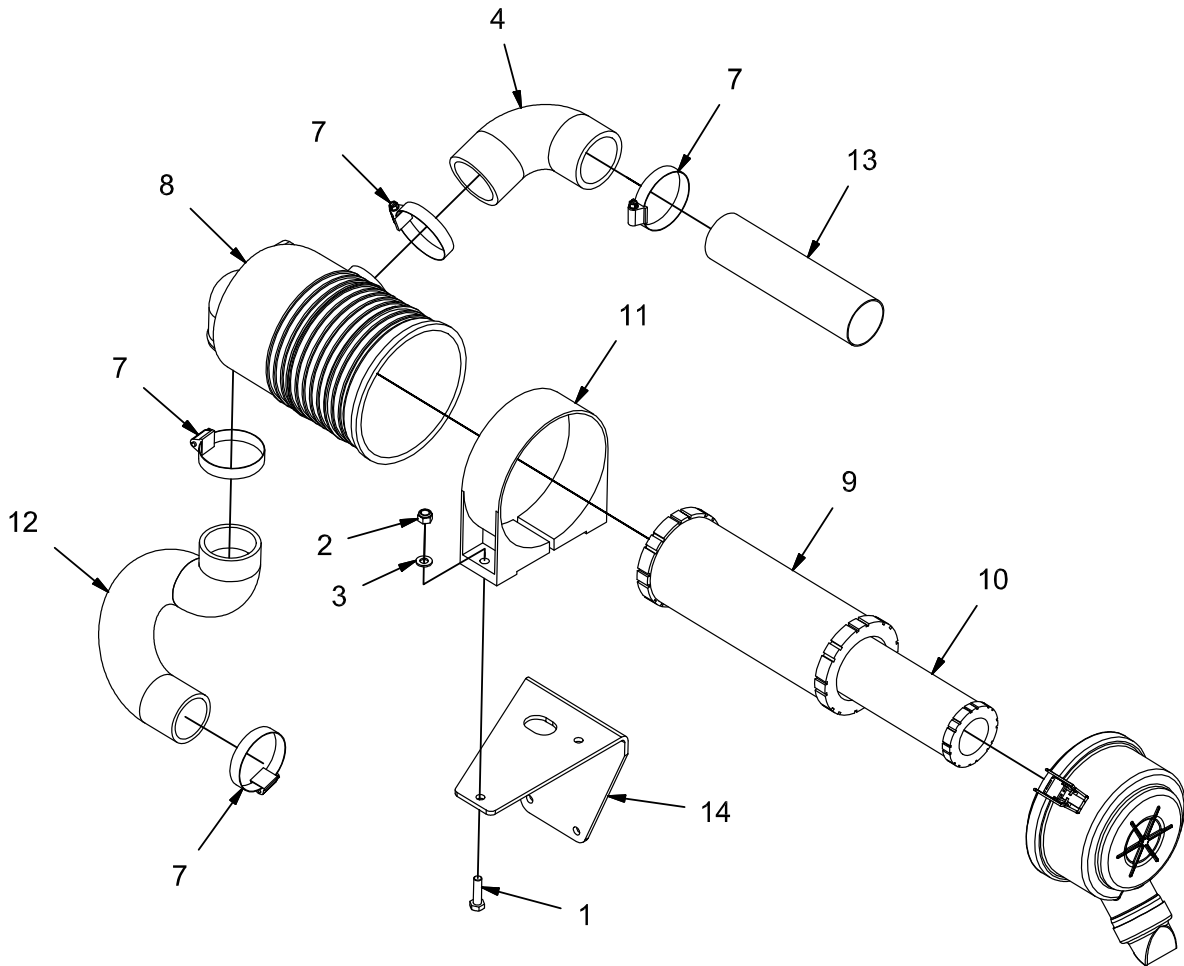


REV *

ENGINE MOUNT GROUP - LPG (730163)

Parts List 730163			
ITEM	PART NUMBER	QTY	DESCRIPTION
1	11038247	6	BLT-HH M8-1.25 X 25 STL ZINC
2	12040051	6	NUT, M8-1.25 ESN
3	12040069	3	NUT, M10-1.50 ESN
4	12310058	1	WASHER, M10
5	600212	3	ISOLATOR, VIBRATION
6	600333	3	WASHER, SAFETY
7	600881	1	MOUNT, REAR OUTER DIESEL ENG
8	600882	1	MOUNT, REAR INNER DIESEL ENG
9	600899	1	MOUNT, FRONT DIESEL ENG
10	600925	3	BOLT, M10-1.50 X 60 HH
11	600945	12	LOCK WASHER, M10
12	620081	1	MOUNT, HARNESS
13	620082	12	BOLT, M10-1.25 X 25 HH ZP
14	620235	1	KUBOTA ENGINE - LPG
15	PART OF 620235	1	SWITCH, OIL PRESSURE (603001)
16	PART OF 620235	1	SWITCH, WATER TEMP (603000)
17	REF.	-	FRAME
18	REF.	-	FRAME

AIR CLEANER GROUP - DIESEL (730131)

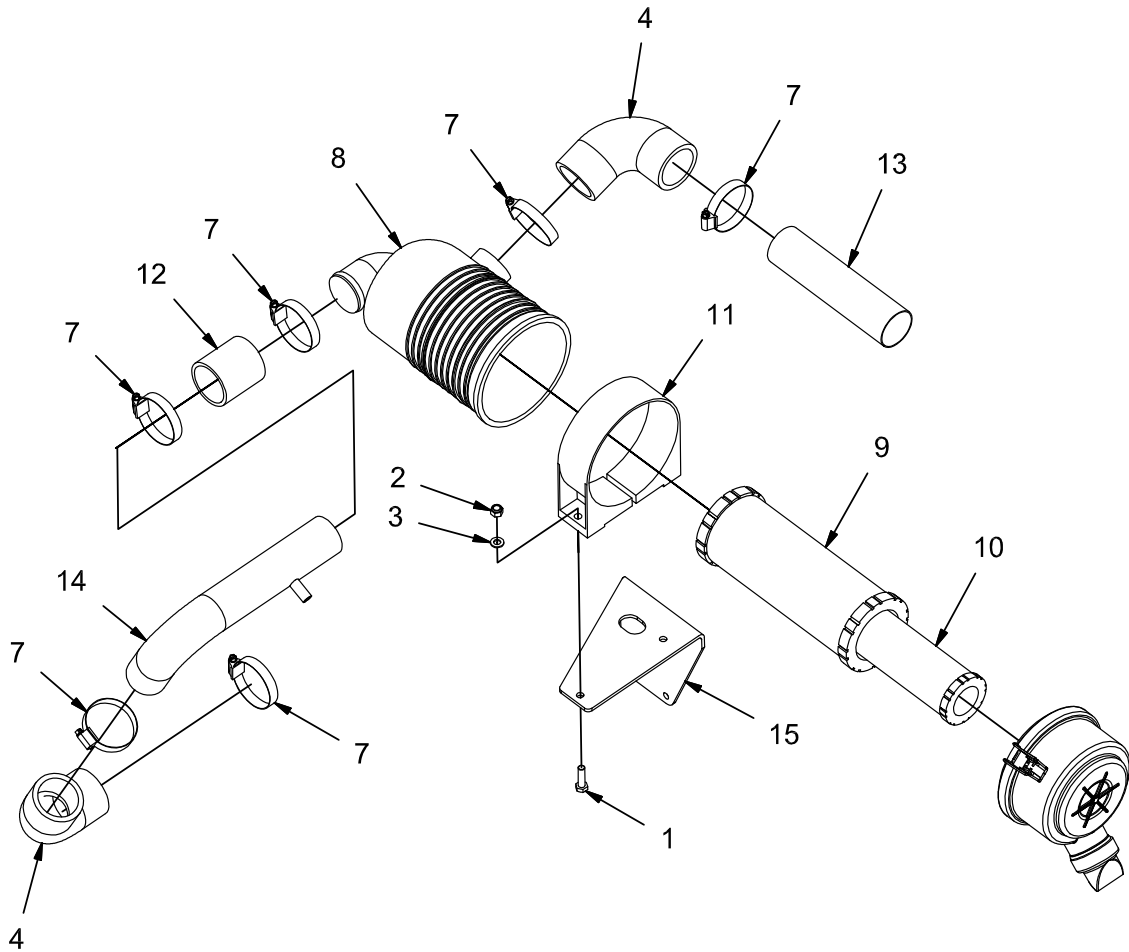


REV A

AIR CLEANER GROUP - DIESEL (730131)

Parts List 730131			
ITEM	PART NUMBER	QTY	DESCRIPTION
1	11038254	2	BOLT, M8-125 X 30 HH
2	12040051	2	NUT, M8-1.25 ESN
3	12310041	2	WASHER, M8
4	3300396	1	ADAPTER, 2" 90
5	3303991	1	INDICATOR, FLTR SERVICE
6	3305640	1	FITTING, NIPPLE
7	3312189	4	CLAMP, HOSE, 2.00
8	3317917	1	HOUSING, AIR FLTR
9	3321143	1	ELEMENT, FLTR, PRIMARY
10	3322572	1	ELEMENT, FLTR, SAFETY
11	600385	1	MOUNTING BAND, AIR CLEANER
12	730319	1	HOSE, AIR INTAKE, DIESEL
13	730393	1	TUBE, AIR CLEANER INTAKE
14	731188	1	MOUNT, AIR CLEANER

AIR CLEANER GROUP - GAS (730129)

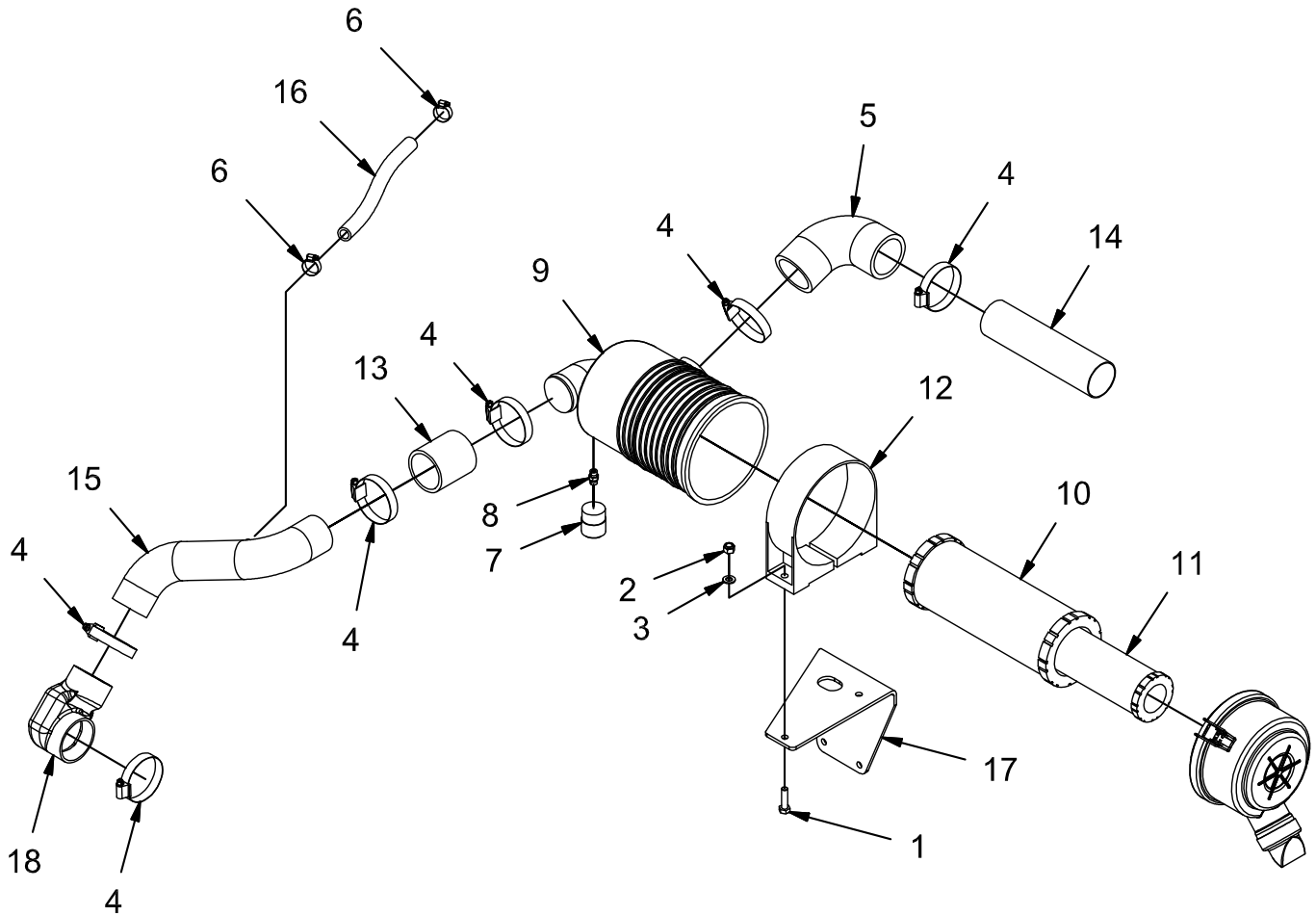


REV B

AIR CLEANER GROUP - GAS (730129)

Parts List 730129			
ITEM	PART NUMBER	QTY	DESCRIPTION
1	11038254	2	BOLT, M8-125 X 30 HH
2	12040051	2	NUT, M8-1.25 ESN
3	12310041	2	WASHER, M8
4	3300396	2	ADAPTER, 2" 90
5	3303991	1	INDICATOR, FLTR SERVICE
6	3305640	1	FITTING, NIPPLE
7	3312189	6	CLAMP, HOSE, 2.00
8	3317917	1	HOUSING, AIR FLTR
9	3321143	1	ELEMENT, FLTR, PRIMARY
10	3322572	1	ELEMENT, FLTR, SAFETY
11	600385	1	MOUNTING BAND, AIR CLEANER
12	600580	1	HOSE, 2.00 X 2.50
13	730393	1	TUBE, AIR CLEANER INTAKE
14	731110	1	WELDMENT, GAS AIR INTAKE
15	731188	1	MOUNT, AIR CLEANER

AIR CLEANER GROUP - LPG (730130)

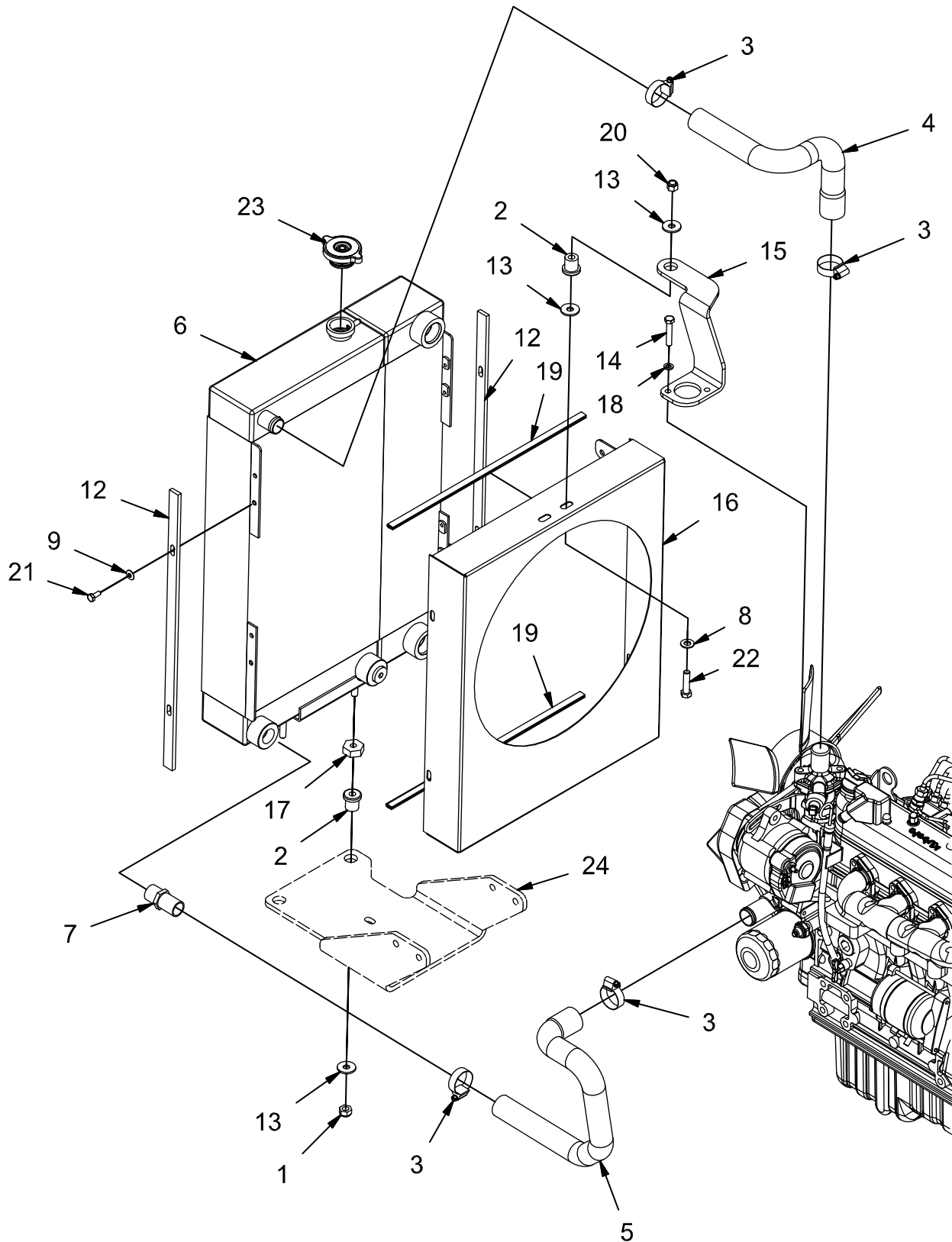


REV B

AIR CLEANER GROUP - LPG (730130)

Parts List 730130			
ITEM	PART NUMBER	QTY	DESCRIPTION
1	11038254	2	BOLT, M8-125 X 30 HH
2	12040051	2	NUT, M8-1.25 ESN
3	12310041	2	WASHER, M8
4	3300336	6	CLAMP, HOSE, 2.00
5	3300396	1	ADAPTER, 2" 90
6	3300535	2	CLAMP, HOSE, .50
7	3303991	1	INDICATOR, FLTR SERVICE (INCLUDES 3305640)
8	3305640	1	FITTING, NIPPLE (SERVICE PART)
9	3317917	1	HOUSING, AIR FLTR (INCLUDES FILTER ELEMENTS)
10	3321143	1	ELEMENT, FLTR, PRIMARY (SERVICE PART)
11	3322572	1	ELEMENT, FLTR, SAFETY (SERVICE PART)
12	600385	1	MOUNTING BAND, AIR CLEANER
13	600580	1	HOSE, 2.00 X 2.50
14	730393	1	TUBE, AIR CLEANER INTAKE
15	731128	1	WELDMENT, LPG AIR INTAKE
16	731175	1	PCV HOSE
17	731188	1	MOUNT, AIR CLEANER
18	PART OF ENGINE	1	COBRA AIR CUFF

RADIATOR GROUP (730132)

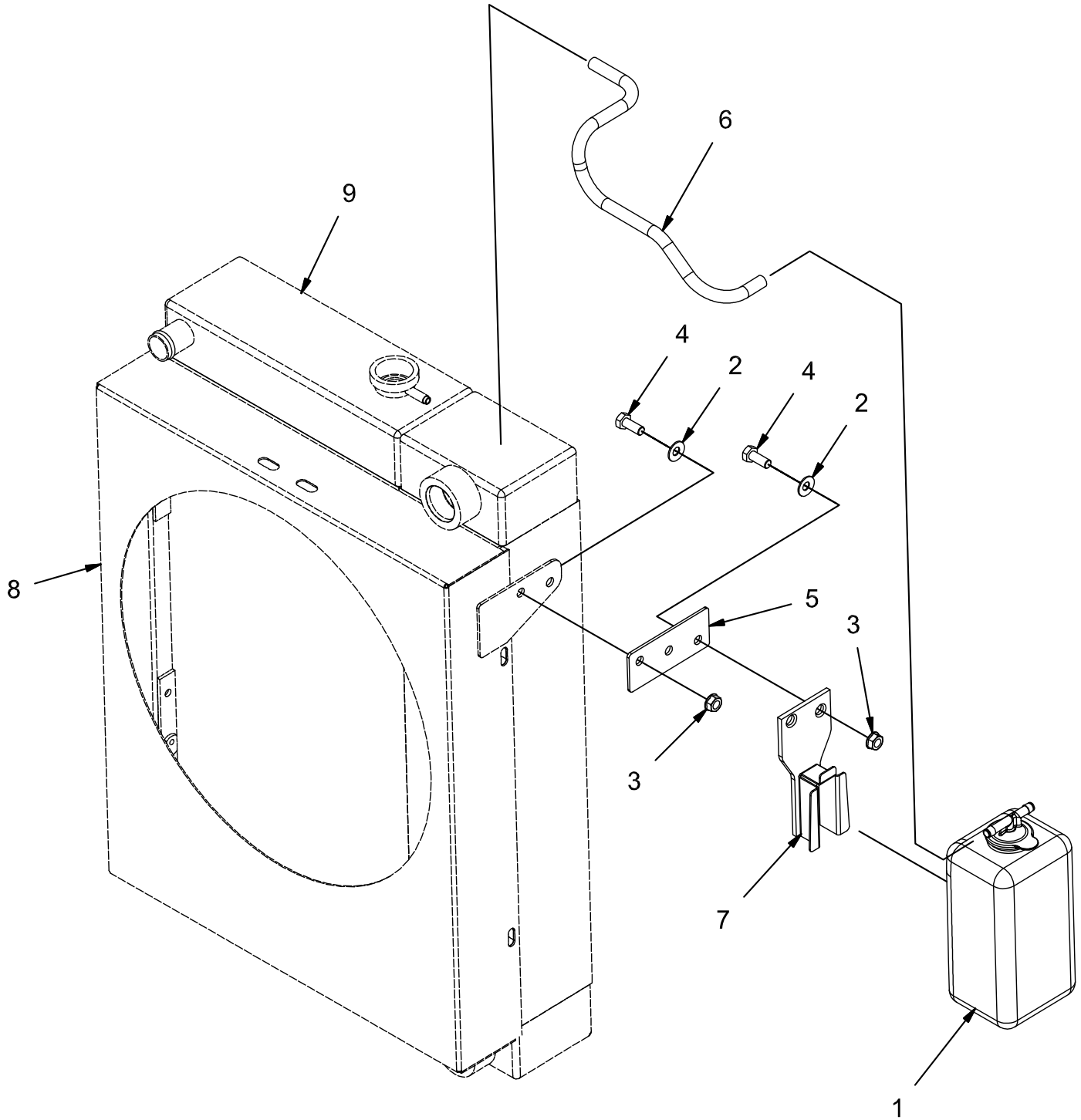


REV A

RADIATOR GROUP (730132)

Parts List 730132			
ITEM	PART NUMBER	QTY	DESCRIPTION
1	12040069	2	NUT, M10-1.50 ESN
2	3300465	3	ISOLATOR, VIB
3	3302193	4	CLAMP, HOSE, .75 - 1.25
4	3332643	1	HOSE, UPPER RAD, DIESEL
5	3332644	1	HOSE, LOWER RAD, DIESEL
6	3336679-1	1	RADIATOR - OIL COOLER
7	3344231	1	FITTING, RADIATOR
8	3400087	1	WASHER, 3/8
9	3400383	4	WASHER, 1/4 BELLEVILLE
12	600198	2	SPACER, SHROUD
13	600363	4	WASHER, ISOLATOR
14	600820	2	BOLT, M8-1.25 X 45 HH
15	600867	1	MOUNT, UPPER SHROUD, DIESEL
16	600875	1	WELDMENT, FAN SHROUD, DIESEL
17	600884	2	SPACER, ISOLATOR
18	600959	2	LOCK WASHER, M8
19	620064	2	SEAL, SHROUD
20	711380	1	NUT, FIBER INSERT 3/8-16
21	713001	4	SCREW, 1/4-20 X .625 HHC
22	713044	1	SCREW, 3/8-16 X 1.50 HHC
23	PART OF 3336679	1	RADIATOR CAP
24	REF	-	FRONT ENGINE MOUNT
26	REF.	-	ENGINE, DIESEL

RADIATOR OVERFLOW BOTTLE GROUP (730133)

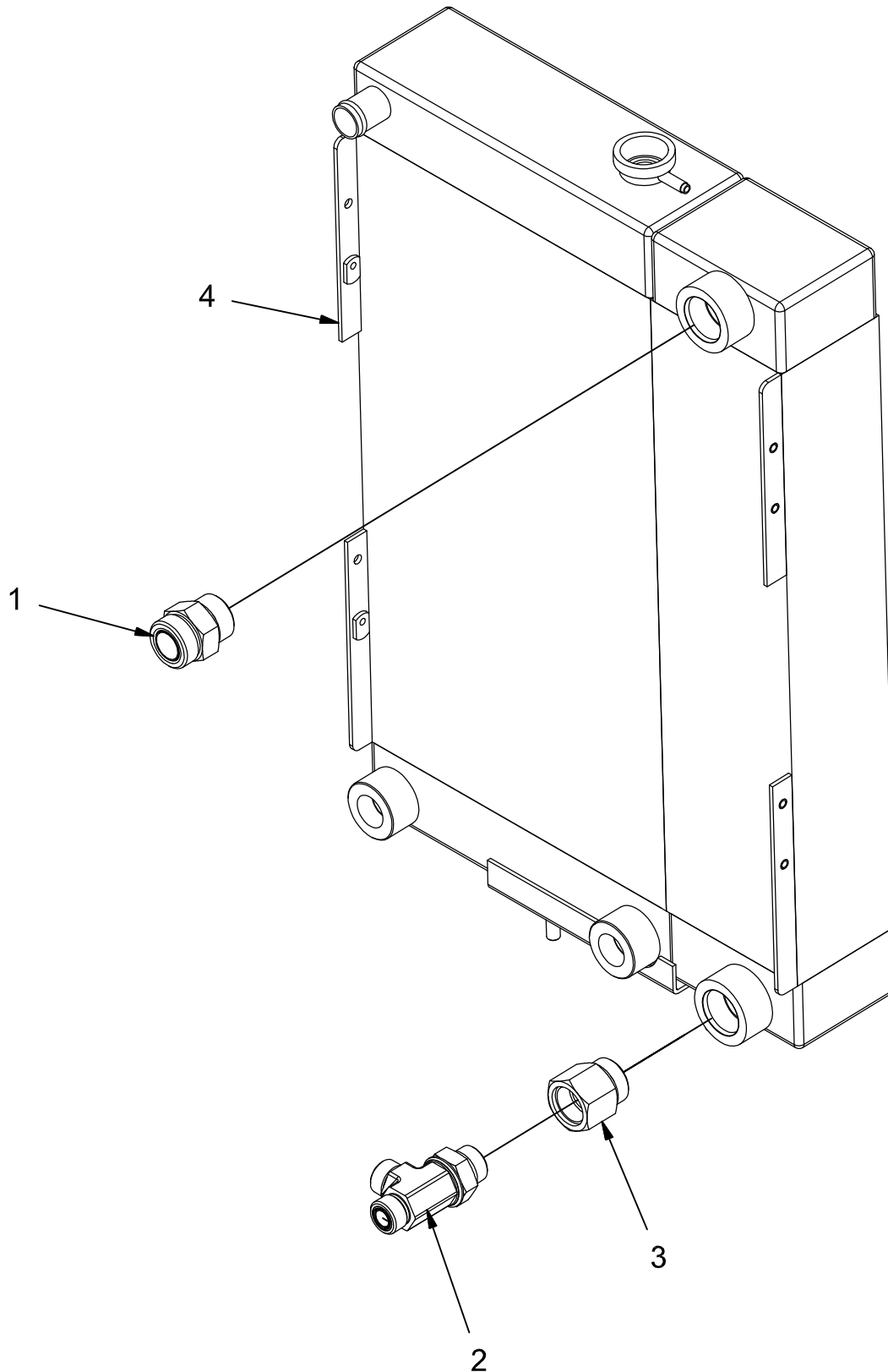


REV A

RADIATOR OVERFLOW BOTTLE GROUP (730133)

Parts List 730133			
ITEM	PART NUMBER	QTY	DESCRIPTION
1	3318752	1	OVERFLOW BOTTLE
2	3400384	3	WASHER, 5/16 BELLEVILLE
3	600934	3	NUT, M8-1.25 FLNG
4	717024	3	BOLT, M8-1.25 X 20 HH
5	731165	1	MOUNT, OVERFLOW BOTTLE
6	PART OF 3318752	1	HOSE, OVERFLOW
7	PART OF 3318752	1	BRACKET, BOTTLE
8	REF.	-	FAN SHROUD, DIESEL
9	REF.	-	RADIATOR

OIL COOLER GROUP (730134)

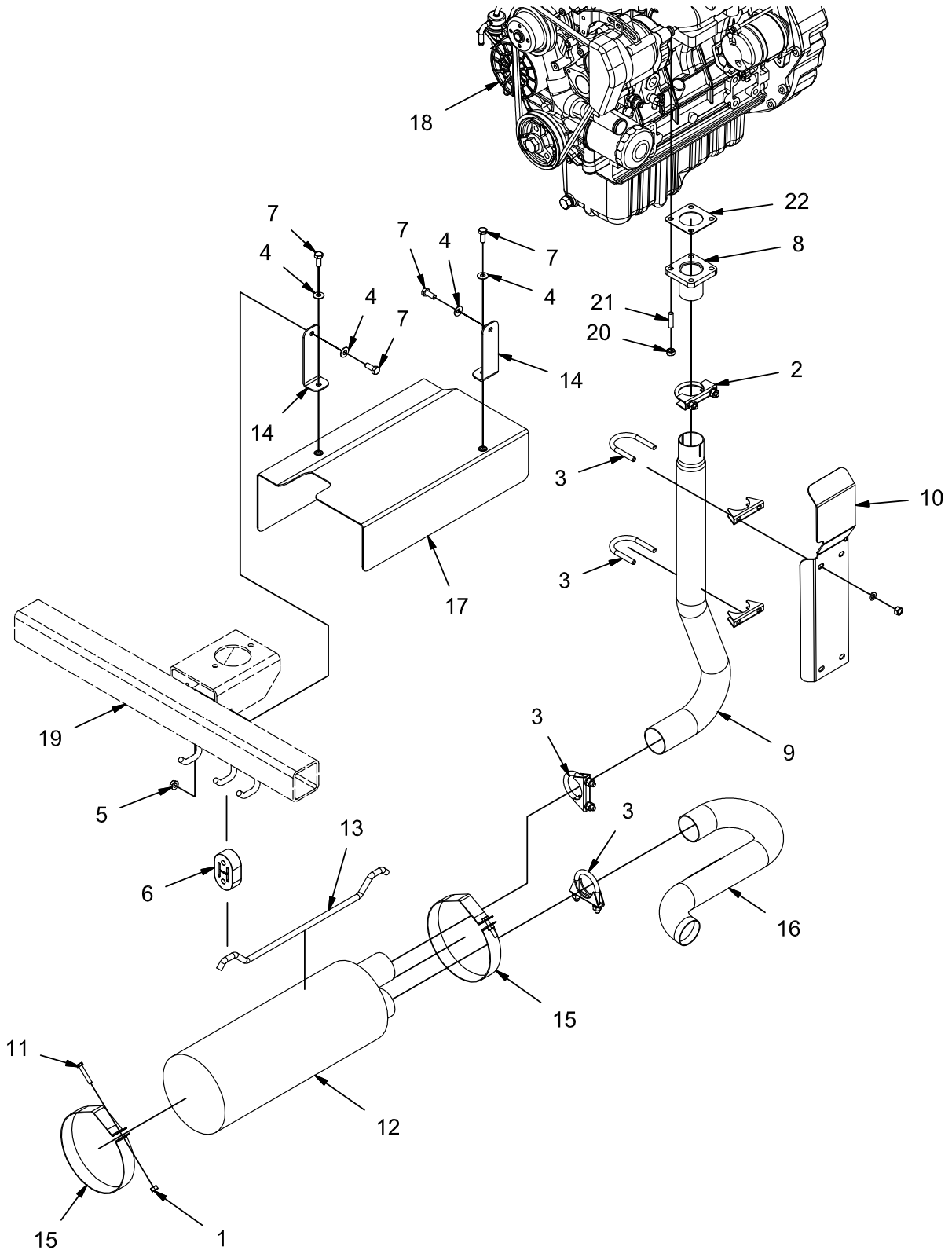


REV *

OIL COOLER GROUP (730134)

Parts List			
ITEM	PART NUMBER	QTY	DESCRIPTION
1	675505	1	FITTING, STR, 16 ORFS - 16 SAE
2	675554	1	FITTING, TEE, 10 ORFS - 12 SAE
3	675558	1	FITTING, REDUCER, 16 O-RING TO 12 O-RING
4	REF	-	RADIATOR - OIL COOLER

EXHAUST GROUP - DIESEL (730154)

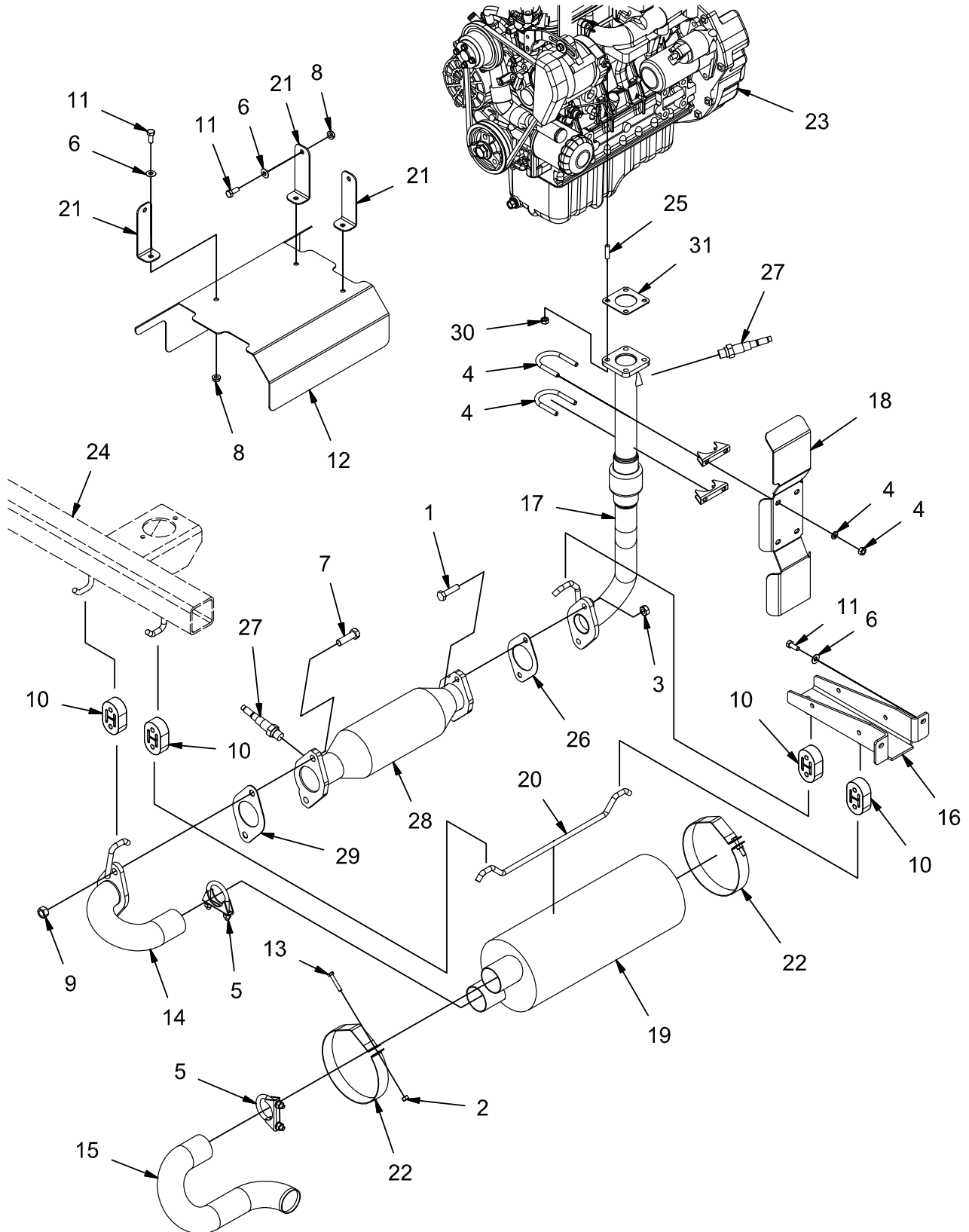


REV B

EXHAUST GROUP - DIESEL (730154)

Parts List - 730154			
ITEM	PART NUMBER	QTY	DESCRIPTION
1	12022042	2	NUT, M6-1.00 HEX
2	3301640	1	CLAMP, 1.75
3	3301641	4	CLAMP, EXHAUST
4	3400384	4	WASHER, 5/16 BELLEVILLE
5	600934	1	NUT, M8-1.25 FLNG
6	620205	1	EXHAUST ISOLATOR
7	717024	4	BOLT, M8-1.25 X 20 HH
8	730409	1	WELDMENT, EXHAUST STUB
9	731222	1	EXHAUST PIPE - DIESEL
10	730419	1	HEAT SHIELD
11	730508	2	BOLT, M6-1.00 X 35 HH FULL THREAD SS
12	731177	1	MUFFLER
13	731178	1	HANGER, MUFFLER
14	731179	2	MOUNT, HEAT SHIELD
15	731180	2	STRAP, MUFFLER
16	731219	1	TAIL PIPE
17	731220-1	1	ASSEMBLY, HEAT SHIELD - DIESEL
18	REF.	-	ENGINE
19	REF.	-	FRAME
20	WITH ENGINE	4	NUT, M8-1.25 SS
21	WITH ENGINE	4	STUD, M8-1.25
22	WITH ENGINE	1	GASKET, EXHAUST

EXHAUST GROUP - GAS - LPG (730135)

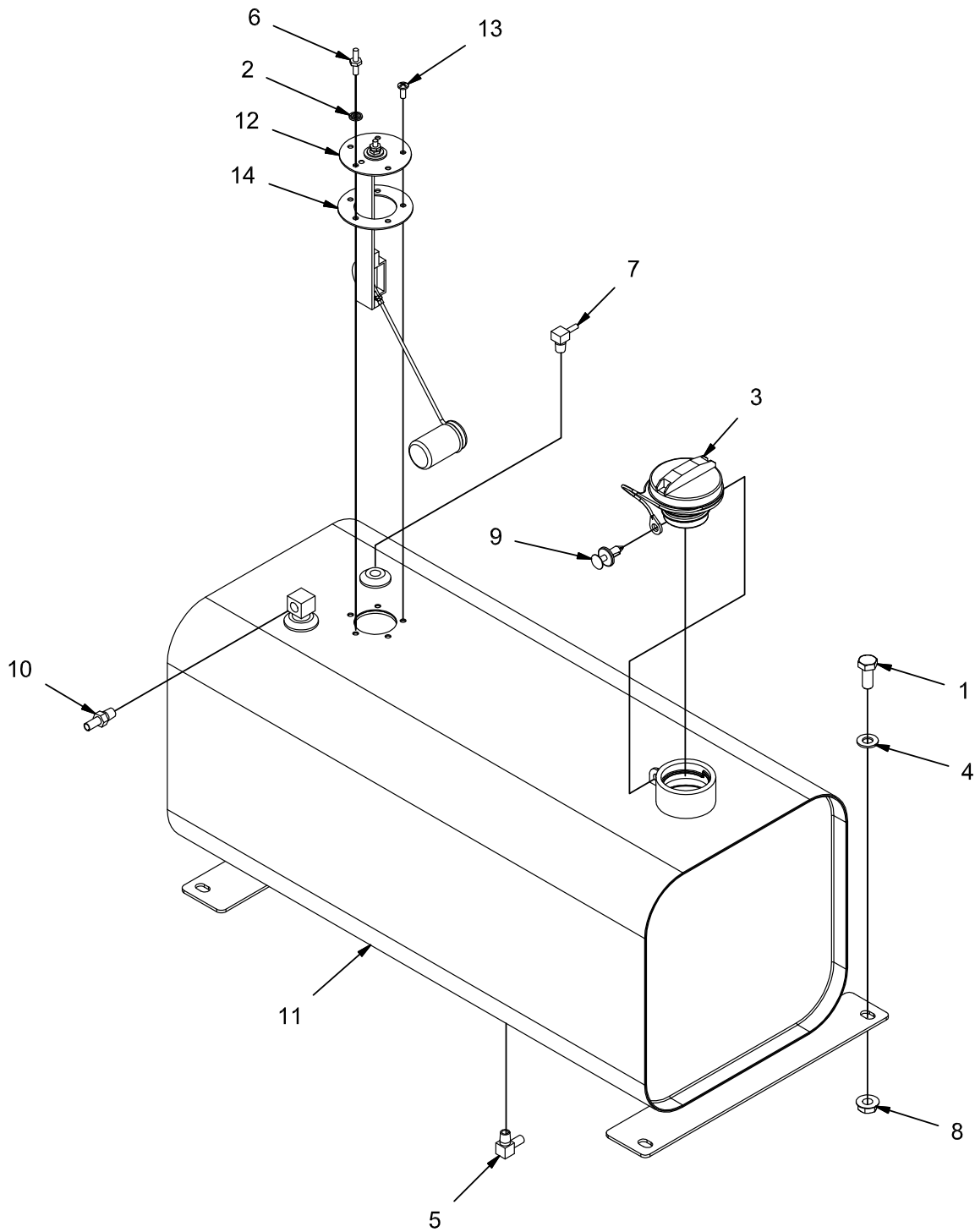


REV E

EXHAUST GROUP - GAS - LPG (730135)

Parts List - 730135			
ITEM	PART NUMBER	QTY	DESCRIPTION
1	11038395	2	BOLT, M10-1.50 X 40 HH
2	12022042	2	NUT, M6-1.00 HEX
3	12022067	2	NUT, M10-1.50 HEX
4	3301641	2	CLAMP, EXHAUST
5	3302917	2	CLAMP, EXHAUST
6	3400384	8	WASHER, 5/16 BELLEVILLE
7	600928	2	BOLT, M12-1.75 X 40 HH
8	600934	6	NUT, M8-1.25 FLNG
9	600949	2	NUT, M12-1.75
10	620205	4	EXHAUST ISOLATOR
11	717024	8	BOLT, M8-1.25 X 20 HH
12	730418	1	HEAT SHIELD
13	730508	2	BOLT, M6-1.00 X 35 HH FULL THREAD SS
14	730655	1	WELDMENT, EXHAUST PIPE
15	730656	1	TAIL PIPE
16	730659	1	WELDMENT, EXHAUST HANGER
17	730660	1	WELDMENT, EXHAUST PIPE, GAS - LPG
18	730665	1	HEAT SHIELD
19	731177	1	MUFFLER
20	731178	1	HANGER, MUFFLER
21	731179	3	MOUNT, HEAT SHIELD
22	731180	2	STRAP, MUFFLER
23	REF.	-	ENGINE
24	REF.	-	FRAME
25	WITH ENGINE	4	STUD, M8-1.25
26	WITH ENGINE	1	GASKET, EXHAUST
27	WITH ENGINE	2	O2 SENSOR (603016)
28	WITH ENGINE	1	MUFFLER/CATALYTIC CONVERTER
29	WITH ENGINE	1	GASKET, EXHAUST
30	WITH ENGINE	4	NUT, M8-1.25 SS
31	WITH ENGINE	1	GASKET, EXHAUST

FUEL TANK MOUNT GROUP - DIESEL (730140)

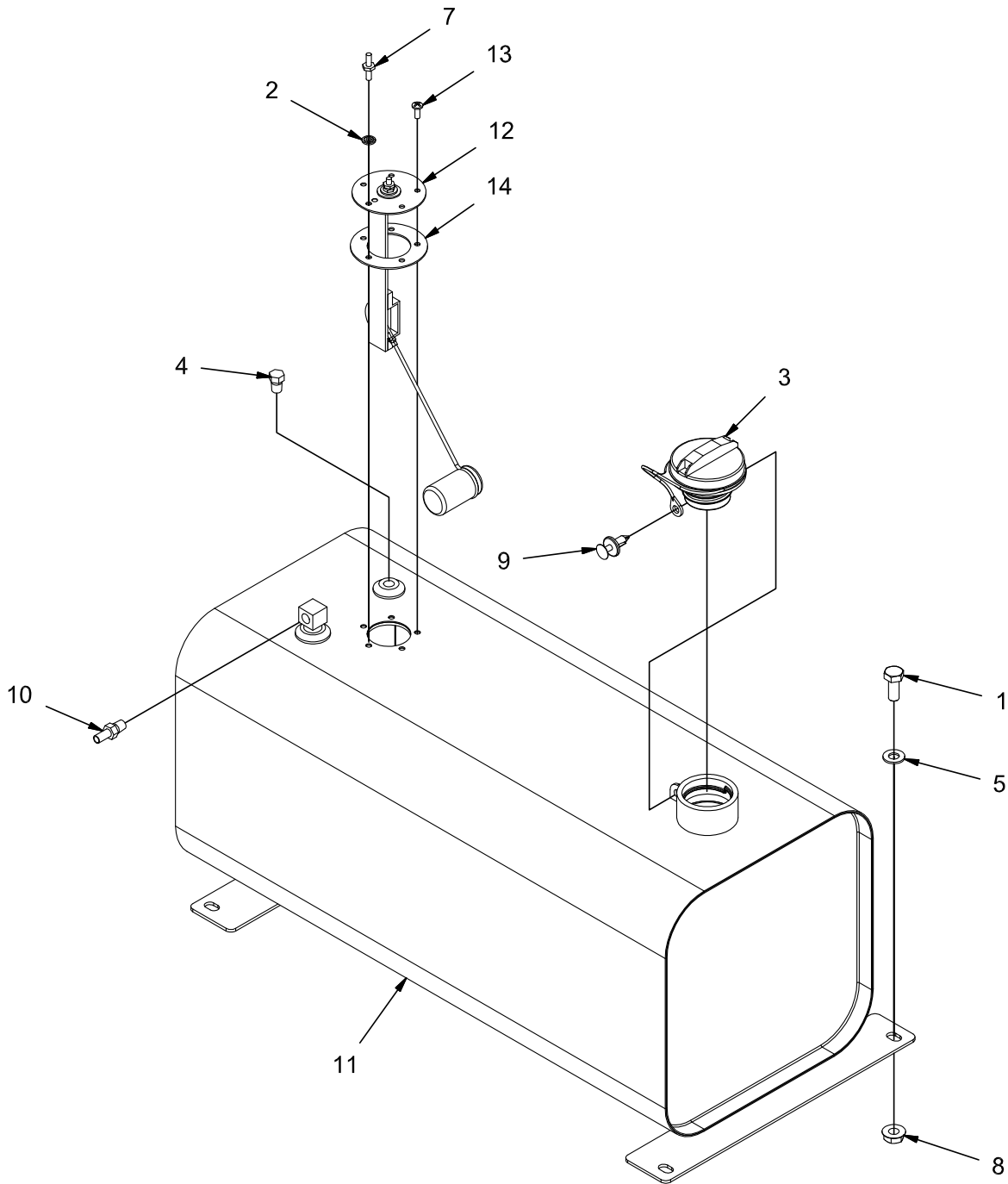


REV *

FUEL TANK MOUNT GROUP - DIESEL (730140)

Parts List 730140			
ITEM	PART NUMBER	QTY	DESCRIPTION
1	11038346	4	BOLT, M10-1.50 X 25 HH
2	3337019	1	SEAL, #10
3	3343413	1	CAP, FUEL TANK
4	3400385	4	WASHER, 3/8, BELLEVILLE
5	3401445	1	FITTING, 90, 1/4 NPT X 5/16 BARB
6	3401579	1	SCREW, HEX, STANDOFF, 2X #10-32 X .50
7	3402022	1	FITTING, 90, 1/4 NPT X .184 BARB
8	600936	4	NUT, M10-1.50 FLNG
9	600965	1	FASTENER, PRESS-IN
10	620052	1	FITTING, STR, 1/4 NPT - 5/16 BARB
11	730313	1	TANK, FUEL
12	730322	1	SENDING UNIT, FUEL LEVEL
13	PART OF 730322	4	SCREW #10-32 X .50
14	PART OF 730322	1	GASKET

FUEL TANK MOUNT GROUP - GAS (730139)

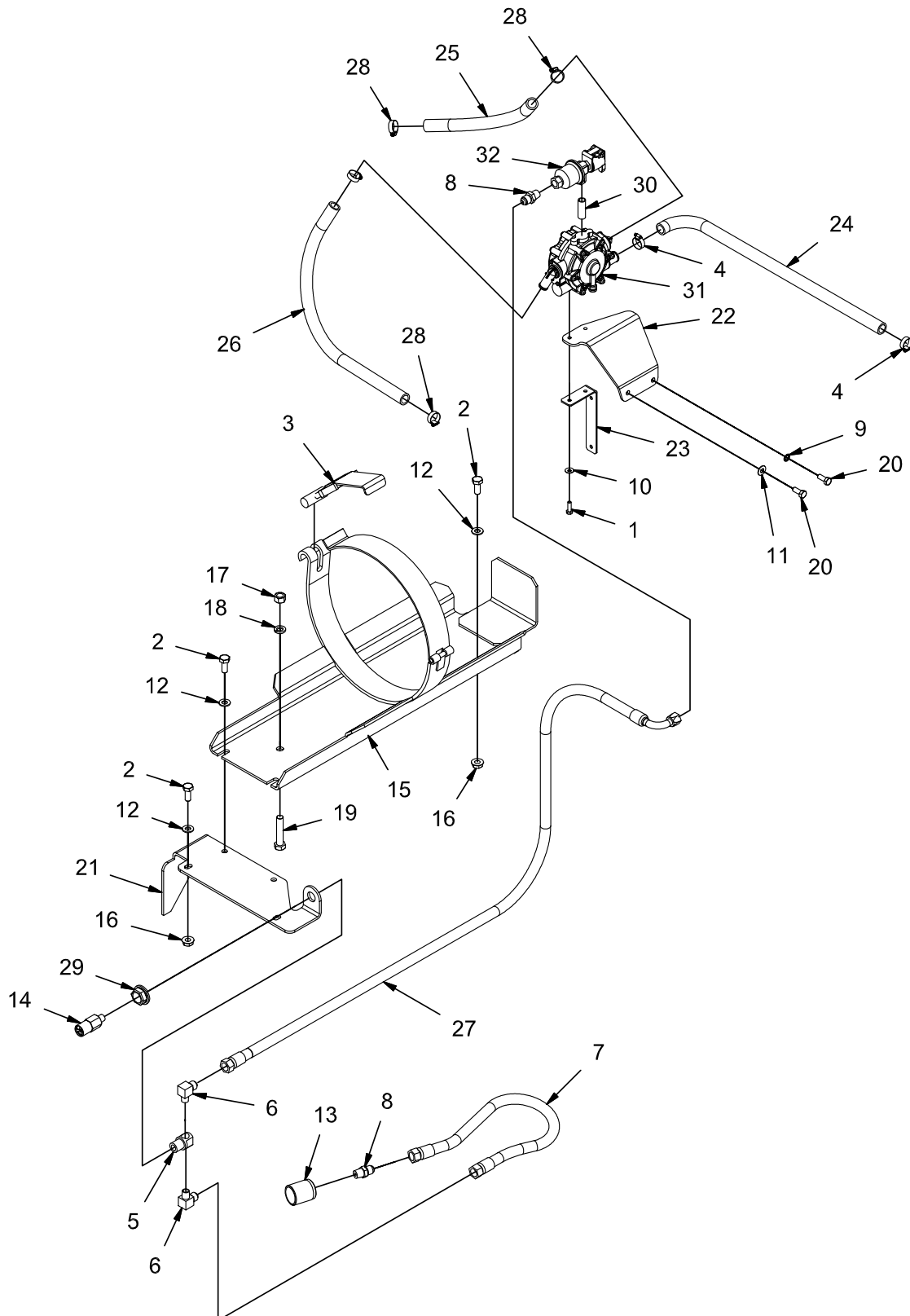


REV *

FUEL TANK MOUNT GROUP - GAS (730139)

Parts List 730139			
ITEM	PART NUMBER	QTY	DESCRIPTION
1	11038346	4	BOLT, M10-1.50 X 25 HH
2	3337019	1	SEAL, #10
3	3343413	1	CAP, FUEL TANK
4	3400256	1	PLUG, 1/4 NPT
5	3400385	4	WASHER, 3/8, BELLEVILLE
6	3401445	1	FITTING, 90, 1/4 NPT X 5/16 BARB
7	3401579	1	SCREW, HEX, STANDOFF, 2X #10-32 X .50
8	600936	4	NUT, M10-1.50 FLNG
9	600965	1	FASTENER, PRESS-IN
10	620052	1	FITTING, STR, 1/4 NPT - 5/16 BARB
11	730313	1	TANK, FUEL
12	730322	1	SENDING UNIT, FUEL LEVEL
13	PART OF 730322	4	SCREW #10-32 X .50
14	PART OF 730322	1	GASKET

LPG TANK MOUNT GROUP (730138)

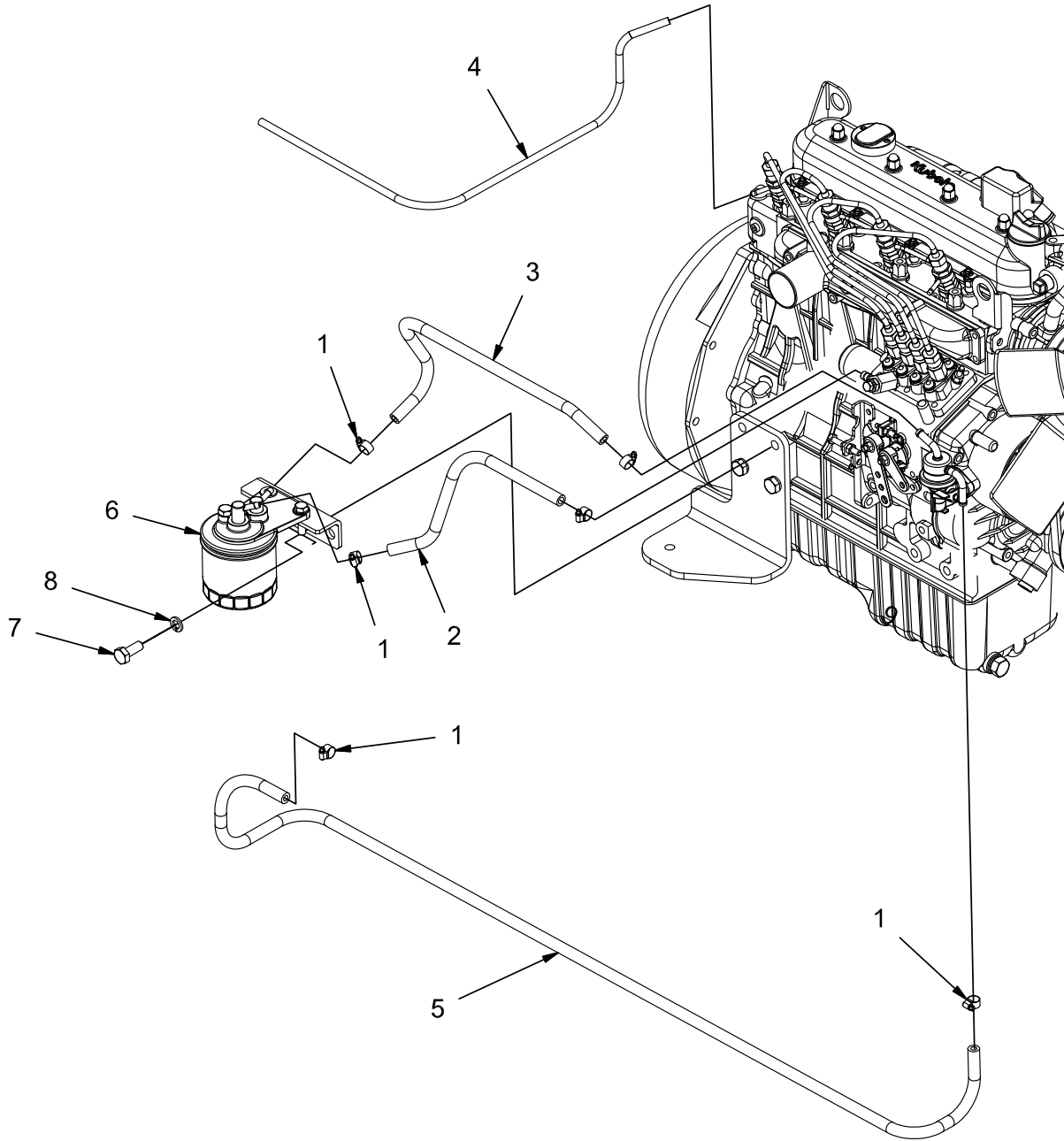


REV D

LPG TANK MOUNT GROUP (730138)

Parts List - 730138			
ITEM	PART NUMBER	QTY	DESCRIPTION
1	11038098	2	BOLT, M6-100 X 20 HH
2	11038346	6	BOLT, M10-1.50 X 25 HH
3	220131	1	BUCKLE
4	3300535	2	CLAMP, HOSE, .50
5	3316511	1	BODY, VALVE MOUNT
6	3334037	2	FITTING, 90, BRASS, LPG
7	3335375	1	HOSE, LPG, TO TANK
8	3342097	2	FTG SAE 5/8-18 45 DEGREE FLARE
9	3400273	1	WASHER, STAR, .31, INT. ZP
10	3400383	2	WASHER, 1/4 BELLEVILLE
11	3400384	1	WASHER, 5/16 BELLEVILLE
12	3400385	6	WASHER, 3/8, BELLEVILLE
13	3400860	1	FTG-LP TANK CONNECT
14	3400862	1	LPG RELIEF VALVE
15	600459	1	WELDMENT, LPG MNT
16	600936	6	NUT, M10-1.50 FLNG
17	600949	1	NUT, M12-1.75
18	600961	1	LOCK WASHER, M12
19	620036	1	BOLT, M12-1.75 X 60 HH FULL THREAD
20	717024	2	BOLT, M8-1.25 X 20 HH
21	730533	1	MOUNT, LPG VALVE
22	730890	1	BRACKET, VAPORIZER
23	731164	1	MOUNT, FUSE BOX
24	731167	1	HOSE, VAPORIZER TO CARB
25	731173	1	HOSE, COOLANT, 5/8" ID X 15.0" LG
26	731174	1	HOSE, COOLANT, 5/8" ID X 43.0" LG
27	731186	1	HOSE, LPG TANK TO VAPORIZER
28	829129	4	CLAMP, HOSE
29	PART OF 3316511	1	NUT, VALVE MOUNT
30	PART OF ENGINE	1	FITTING, NIPPLE
31	PART OF ENGINE	1	VAPORIZER (13098-62401)
32	PART OF ENGINE	1	SOLENOID AND LOCK OFF (EG523-46951)

FUEL LINE GROUP - DIESEL (730153)

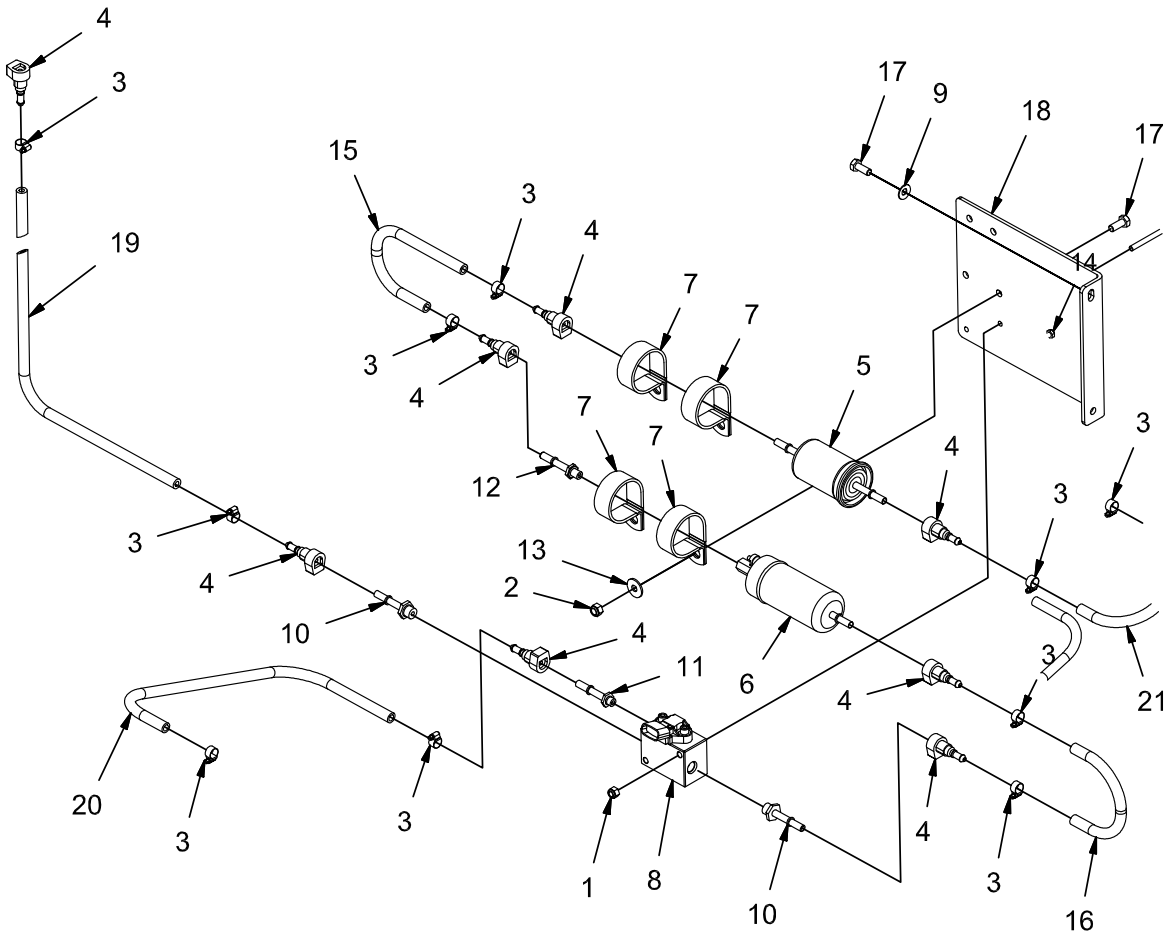


REV *

FUEL LINE GROUP - DIESEL (730153)

Parts List - 730153			
ITEM	PART NUMBER	QTY	DESCRIPTION
1	3302338	6	CLAMP, HOSE, .50
2	620001	1	HOSE,FUEL, 5/16 ID 12.00 LG, SAE30R7
3	620061	1	HOSE,FUEL, 5/16 ID 18.00 LG, SAE30R7
4	NO DWG	1	HOSE, FUEL, 1/8 ID SAE30R7
5	NO DWG	1	HOSE, FUEL, 5/16 ID SAE30R7
6	PART OF ENGINE	-	FUEL FILTER ASSEMBLY
7	REF.	-	BOLT, M10-1.50 X 25 HH
8	REF.	-	LOCK WASHER, M10
9	REF.	-	ENGINE, DIESEL

FUEL COMPONENT GROUP (730141)

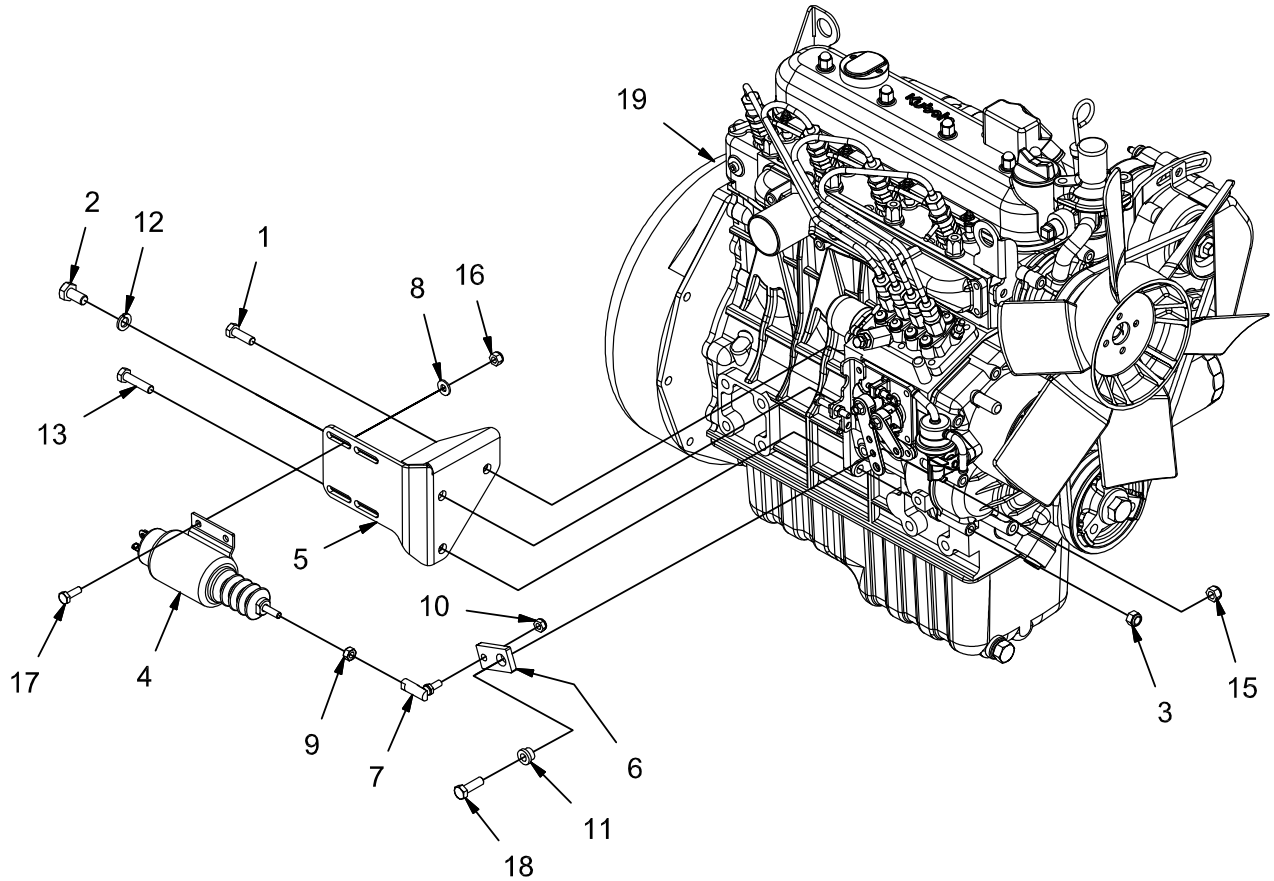


REV *

FUEL COMPONENT GROUP (730141)

Parts List 730141			
ITEM	PART NUMBER	QTY	DESCRIPTION
1	12040044	2	NUT, M6-1.00 ESN
2	12040051	4	NUT, M8-1.25 ESN
3	3302338	10	CLAMP, HOSE, .50
4	3342207	8	FITTING, ADAPTER, FUEL
5	3342209	1	FILTER, FUEL
6	3343536	1	PUMP, FUEL
7	3343539	4	CLAMP, 2"
8	3343617	1	MANIFOLD, FUEL PRESS/TEMP
9	3400384	2	WASHER, 5/16 BELLEVILLE
10	3401088	2	FTG-ADAPTER, FUEL 1/2-20 W/O-RING
11	3401089	1	FTG-ADAPTER, FUEL 3/8-24 W/O-RING
12	3401090	1	FITTING & GASKET FOR FUEL PUMP
13	600940	4	WASHER, M8 FENDER
14	600953	2	BOLT, M6-1.00 X 50 HH
15	620001	1	HOSE,FUEL, 5/16 ID X 12.00 LG, SAE30R7
16	620002	1	HOSE,FUEL, 5/16 ID X 10.00 LG, SAE30R7
17	717024	6	BOLT, M8-1.25 X 20 HH
18	730311	1	MOUNT, FUEL FILTER
19	TBD	1	HOSE,FUEL, 5/16 ID SAE30R7 (TO ENGINE)
20	TBD	1	HOSE,FUEL, 5/16 ID SAE30R7 (FUEL RETURN)
21	TBD	1	HOSE,FUEL, 5/16 ID SAE30R7 (FROM TANK)

THROTTLE SOLENOID GROUP - DIESEL (730151)

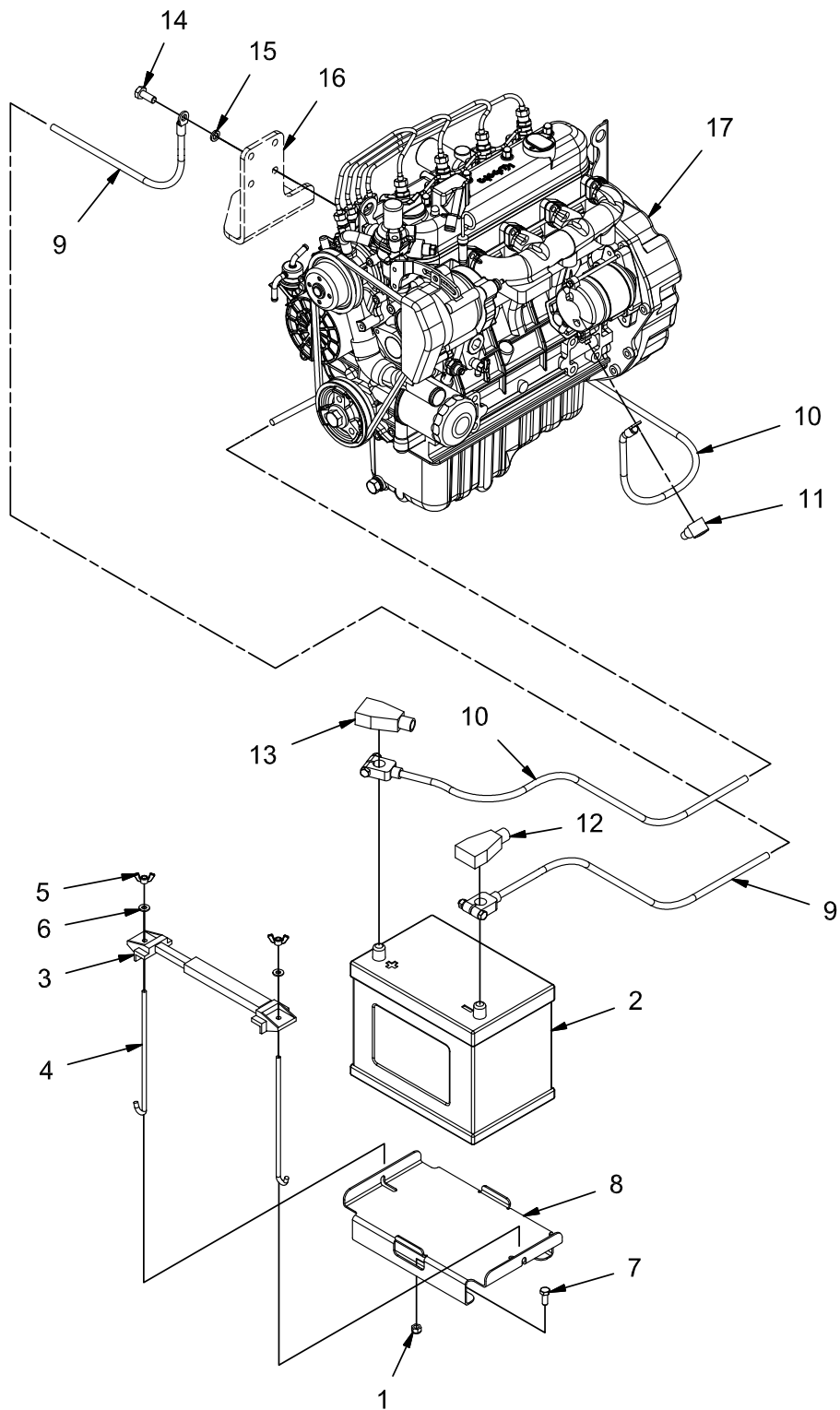


REV A

THROTTLE SOLENOID GROUP - DIESEL (730151)

Parts List - 730151			
ITEM	PART NUMBER	QTY	DESCRIPTION
1	11038247	1	BLT-HH M8-1.25 X 25 STL ZINC
2	11038353	1	BOLT, M10-1.50 X 20 HH
3	12040051	1	NUT, M8-1.25 ESN
4	3335303	1	SOLENOID, THROTTLE
5	3335358	1	BRACKET, THROTTLE SOLENOID
6	3335364	1	PLT, KBA V1505 DSL SOLENOID THROTTLE
7	3342225	1	BALL JOINT, 1/4-28 STD LG
8	3400089	4	WASHER, 1/4 .625 X .281 X .063
9	3400180	1	NUT, 1/4-28
10	3400373	1	NUT, LOW HEIGHT 1/4-28 ESN
11	3401071	1	BUSHING, FLNG, .312 ID X .50 OD X .375
12	3401458	1	LOCK WASHER, M10
13	600918	1	BOLT, M8-125 X 35 HH
14	600959	2	LOCK WASHER, M8
15	711374	1	NUT, FIBER INSERT 5/16-18
16	711373	4	NUT, FIBER INSERT 1/4-20
17	713002	4	SCREW, 1/4-20 X .750 HHC
18	713027	1	SCREW, 5/16-18 X 1.000 HHM
19	REF.	-	ENGINE, DIESEL

BATTERY GROUP (730142)

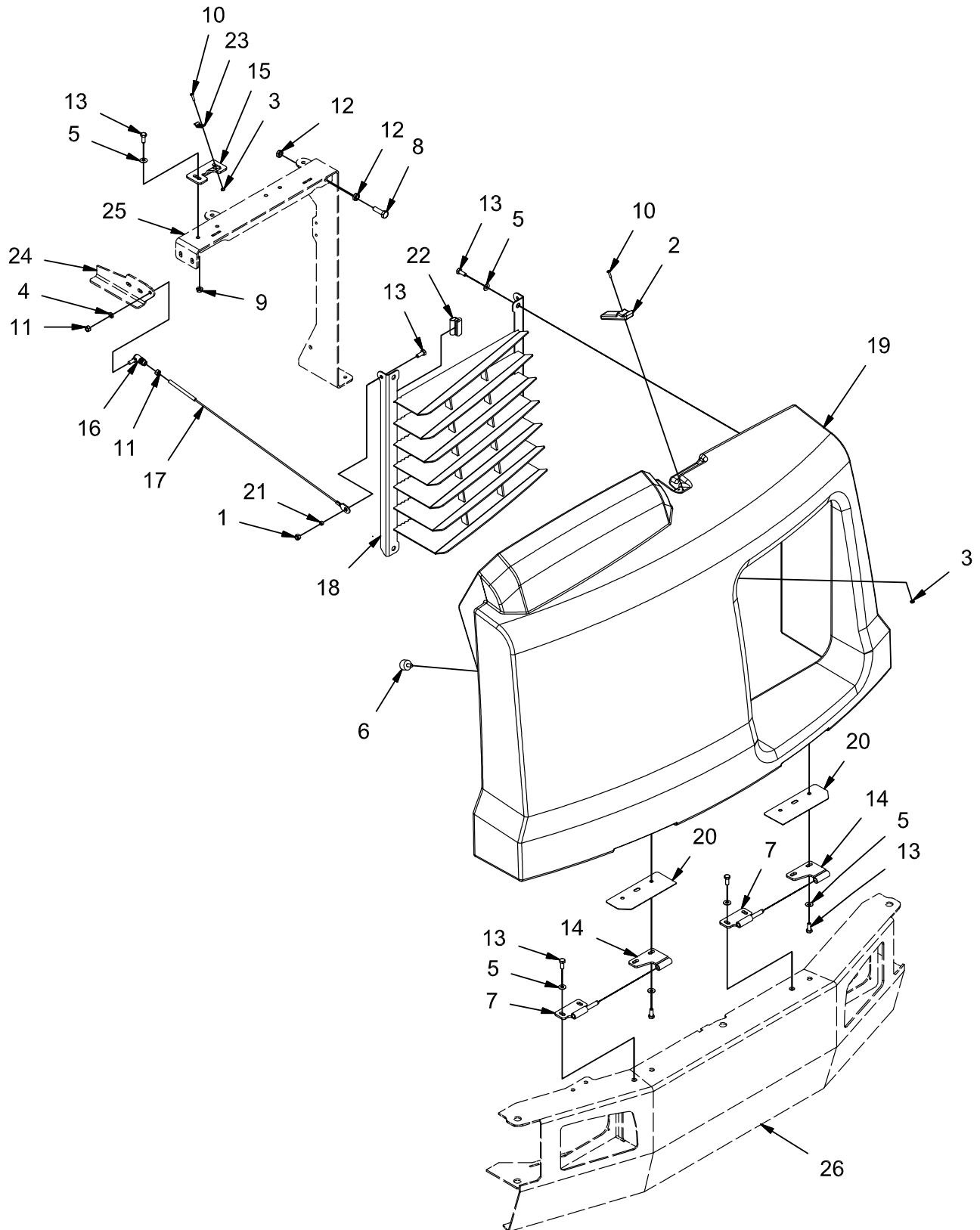


REV A

BATTERY GROUP (730142)

Parts List 730142			
ITEM	PART NUMBER	QTY	DESCRIPTION
1	12040051	2	NUT, M8-1.25 ESN
2	3300440	1	BATTERY, 12V
3	3301076	1	HOLD DOWN, BATTERY
4	3301079	2	ROD, BATTERY TIE DOWN
5	3400085	2	WING NUT, 1/4-20 ZP
6	3400089	2	WASHER, 1/4 .625 X .281 X .063
7	717024	2	BOLT, M8-1.25 X 20 HH
8	730390	1	TRAY, BATTERY
9	748993	1	CABLE, BATTERY, NEG
10	748994	1	CABLE, BATTERY, POS
11	742740	1	BOOT, TERM, RED
12	PART OF CABLE	1	BOOT, BATTERY, BLACK
13	PART OF CABLE	1	BOOT, BATTERY, RED
14	REF.	-	BOLT, M10-1.25 X 25 HH ZP
15	REF.	-	LOCK WASHER, M10
16	REF.	-	ENGINE MOUNT
17	REF.	-	ENGINE

FRONT COVER GROUP (730143)

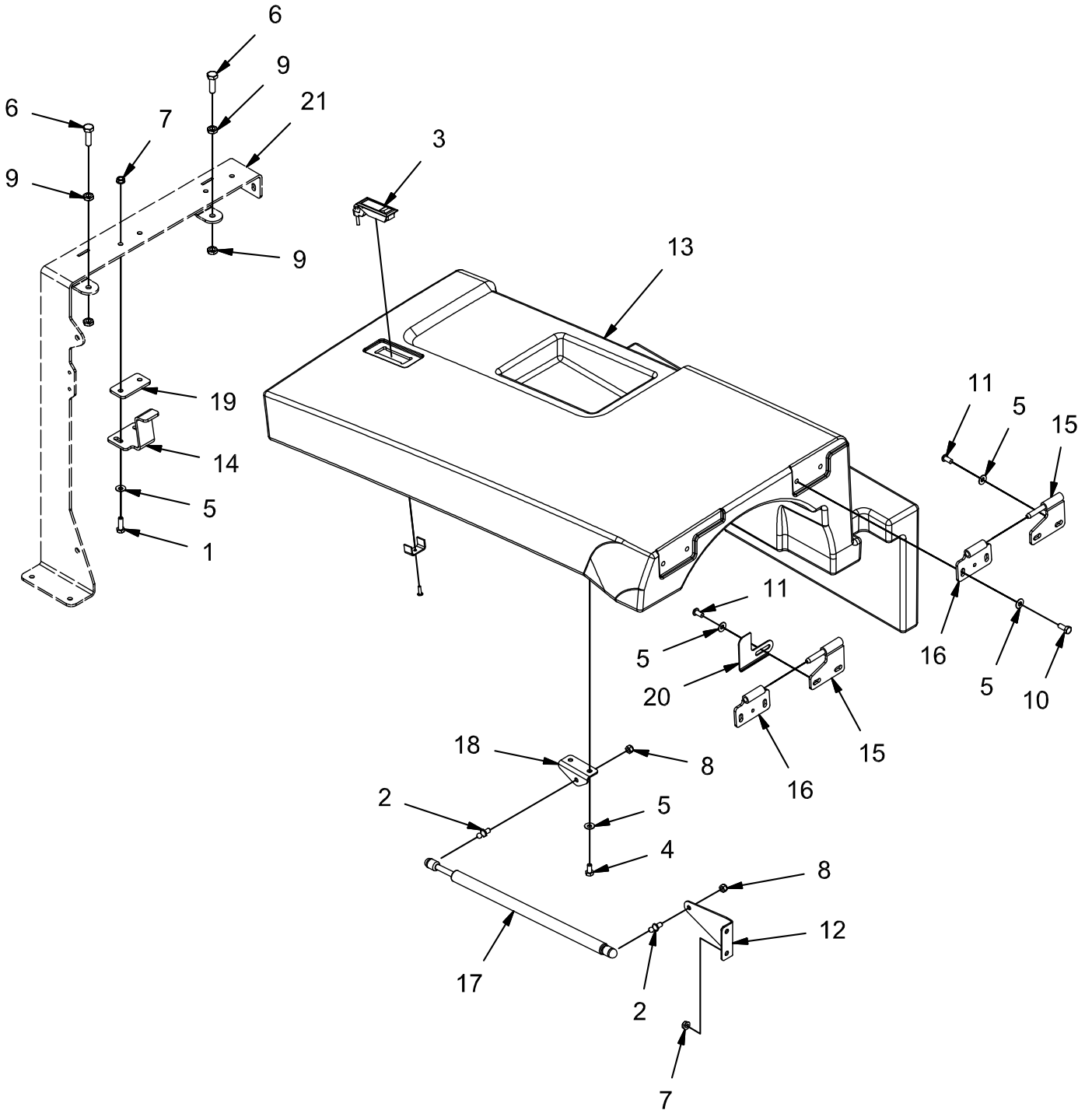


REV C

FRONT COVER GROUP (730143)

Parts List 730143			
ITEM	PART NUMBER	QTY	DESCRIPTION
1	12040051	1	NUT, M8-1.25 ESN
2	3307719	1	DRAW LATCH
3	3400082	4	NUT, FIBER INSERT #8-32
4	3400102	1	LOCK WASHER, 5/16 HS MED
5	3400384	14	WASHER, 5/16 BELLEVILLE
6	600220	1	BUMPER, 1.00 X .625 T
7	600383	2	WELDMENT, HINGE, MALE, LG
8	600924	1	BOLT, M10-1.50 X 35 HH FULL THRD
9	600934	2	NUT, M8-1.25 FLNG
10	710230	4	SCREW, #8-32 X .62 PAN HD
11	711322	2	NUT, HEX 5/16-24 ZP
12	717014	2	NUT, M10-1.50 JAM
13	717024	15	BOLT, M8-1.25 X 20 HH
14	730407	2	WELDMENT, HINGE, FEM
15	730429	1	MOUNT, STRIKER
16	730430	1	BALL JOINT, .312, QUICK RELEASE
17	730431	1	CABLE ASSEMBLY
18	730434	1	WELDMENT, GRILL
19	730446	1	FRONT COVER
20	730447	2	COVER, HINGE
21	730448	1	SPACER, .328 B .375 OD .188 T
22	731265	1	EDGING, GRILL
23	PART OF 3307719	1	KEEPER
24	REF	-	CONSOLE MTG ANGLE
25	REF	-	COVER FRAME
26	REF	-	FRAME

TOP COVER GROUP (730144)

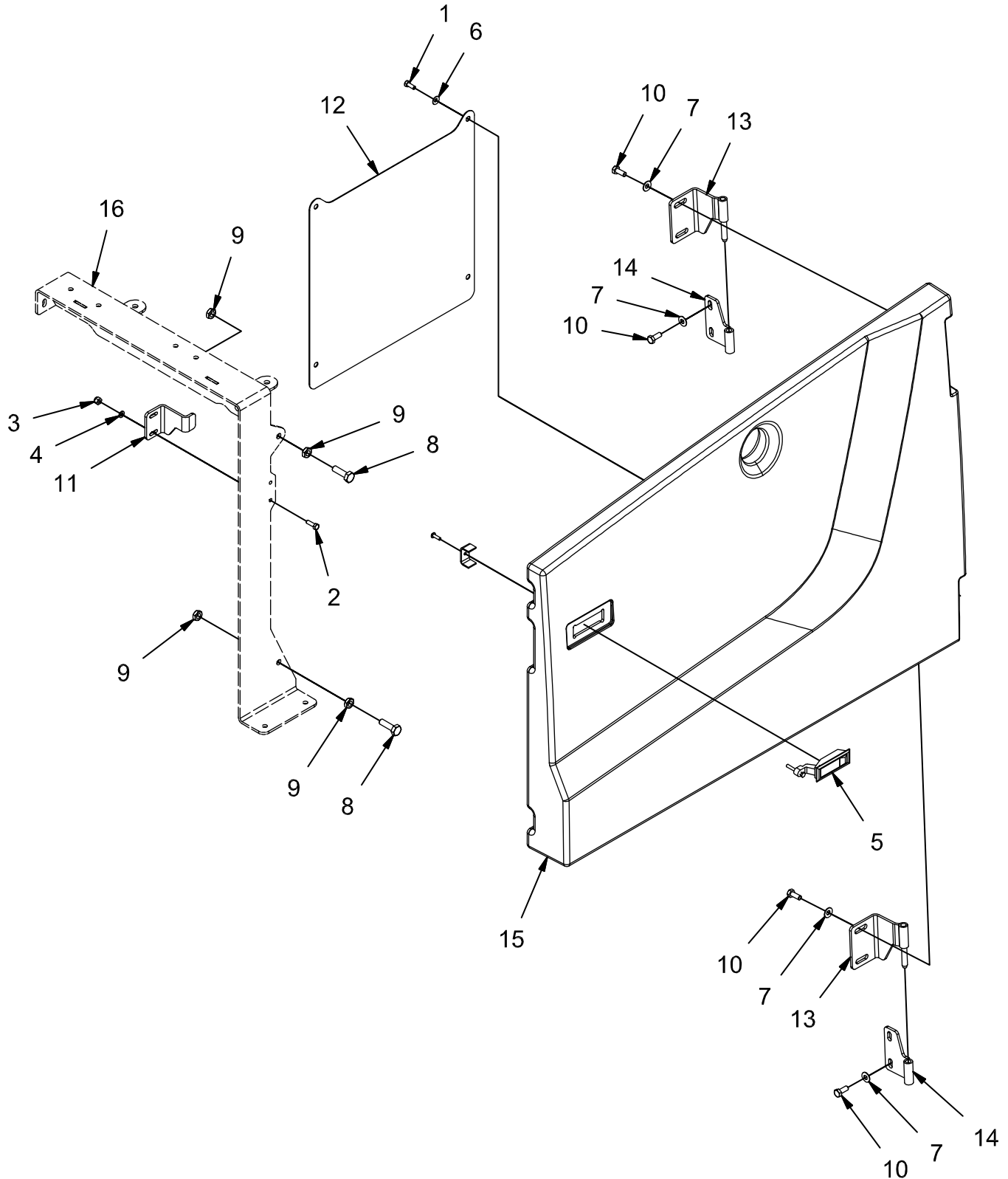


REV B

TOP COVER GROUP (730144)

Parts List 730144			
ITEM	PART NUMBER	QTY	DESCRIPTION
1	11038247	2	BLT-HH M8-1.25 X 25 STL ZINC
2	3300376	2	STUD, 10MM BALL
3	3300380	1	LATCH
4	3400291	2	BOLT, M8-1.25 X 16 HH
5	3400384	12	WASHER, 5/16 BELLEVILLE
6	600924	2	BOLT, M10-1.50 X 35 HH FULL THRD
7	600934	4	NUT, M8-1.25 FLNG
8	711374	2	NUT, FIBER INSERT 5/16-18
9	717014	4	NUT, M10-1.50 JAM
10	717024	4	BOLT, M8-1.25 X 20 HH
11	730399	4	SCREW, M8-1.25 X 16 BUTTON HD CAP CZP
12	730433	1	MOUNT, GAS STRUT
13	730450	1	TOP COVER
14	730452	1	STRIKER, TOP COVER
15	730454	2	WELDMENT, HINGE, MALE
16	730456	2	WELDMENT, HINGE, FEM
17	730457	1	GAS STRUT, 30.9 EXT X 13.8 STK
18	730459	1	ANGLE, GAS STRUT MNT
19	730461	1	BAR, SPACER
20	731132	1	RETAINER, COVER
21	REF	-	COVER FRAME

SIDE DOOR GROUP (730145)

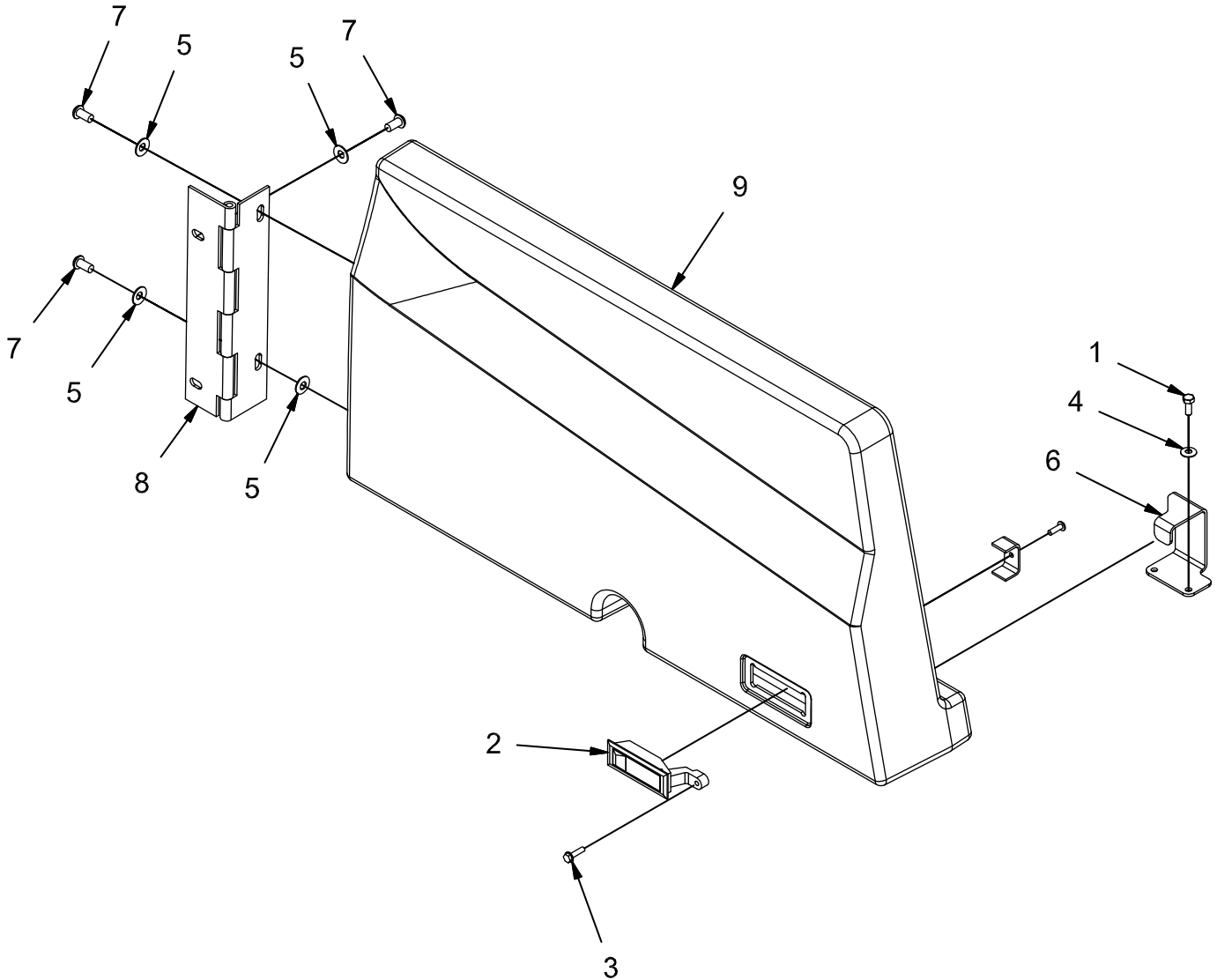


REV A

SIDE DOOR GROUP (730145)

Parts List 730145			
ITEM	PART NUMBER	QTY	DESCRIPTION
1	11038072	4	BOLT, M6-1.00 X 16 HH
2	11038098	2	BOLT, M6-100 X 20 HH
3	12040044	2	NUT, M6-1.00 ESN
4	12310033	2	WASHER, M6
5	3300380	1	LATCH
6	3400383	4	WASHER, 1/4 BELLEVILLE
7	3400384	8	WASHER, 5/16 BELLEVILLE
8	600924	2	BOLT, M10-1.50 X 35 HH FULL THRD
9	717014	4	NUT, M10-1.50 JAM
10	717024	8	BOLT, M8-1.25 X 20 HH
11	730403	1	STRIKER, DOOR
12	730404	1	SHIELD, HEAT
13	730405	2	WELDMENT, HINGE, MALE
14	730407	2	WELDMENT, HINGE, FEM
15	730428	1	DOOR, LEFT SIDE
16	REF.	-	COVER FRAME

SEAT DOOR GROUP (730146)

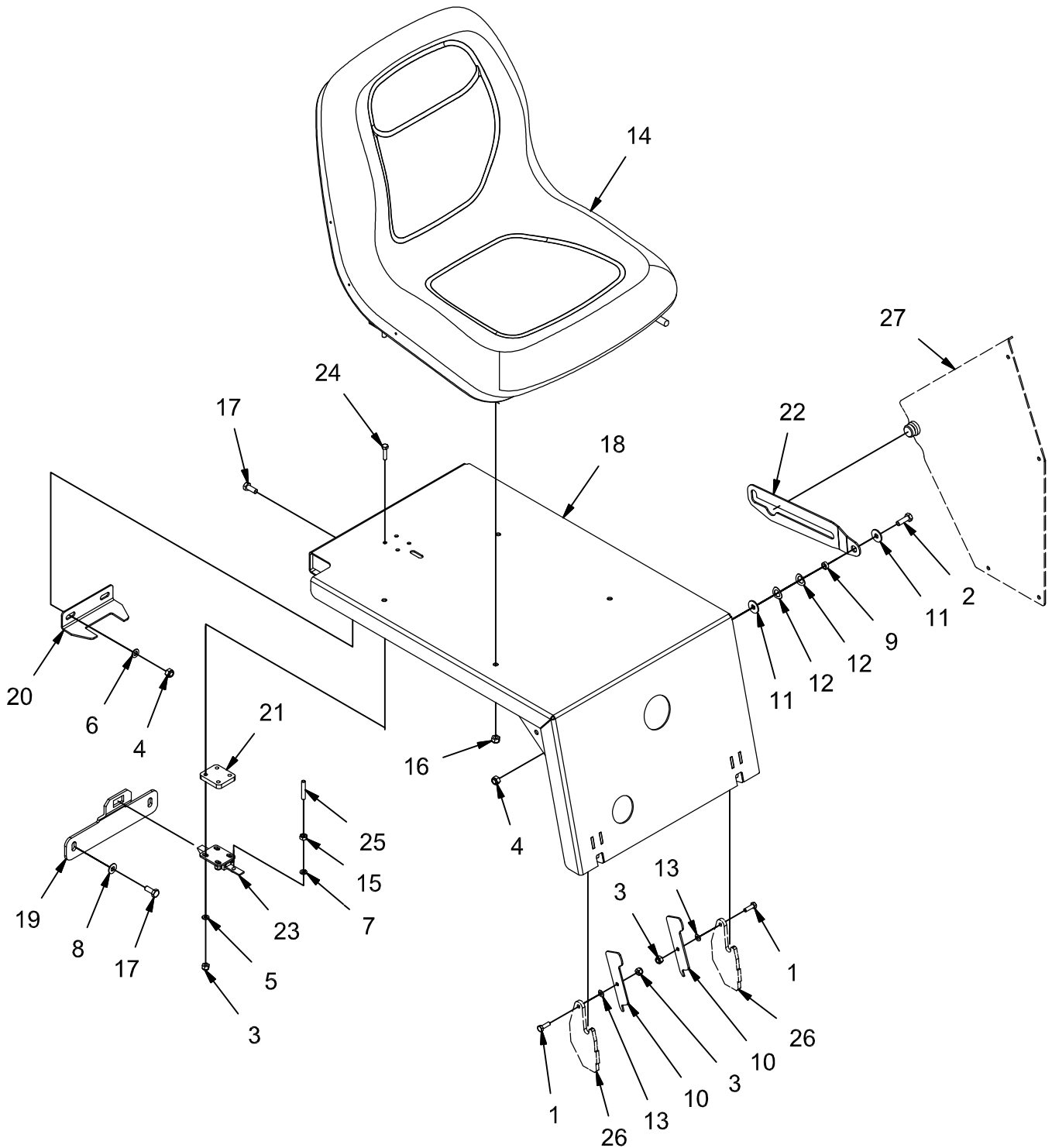


REV A

SEAT DOOR GROUP (730146)

Parts List 730146			
ITEM	PART NUMBER	QTY	DESCRIPTION
1	11038072	2	BOLT, M6-1.00 X 16 HH
2	3300380	1	LATCH
3	3400044	1	SCR-HEX,#10-32 X 0.75 ZP
4	3400383	2	WASHER, 1/4 BELLEVILLE
5	3400384	5	WASHER, 5/16 BELLEVILLE
6	730398	1	STRIKER, SEAT DOOR
7	730399	4	SCREW, M8-1.25 X 16 BUTTON HD CAP CZP
8	730400	1	HINGE, CONT, 4"
9	730449	1	DOOR, SEAT

SEAT MOUNT GROUP (730147)

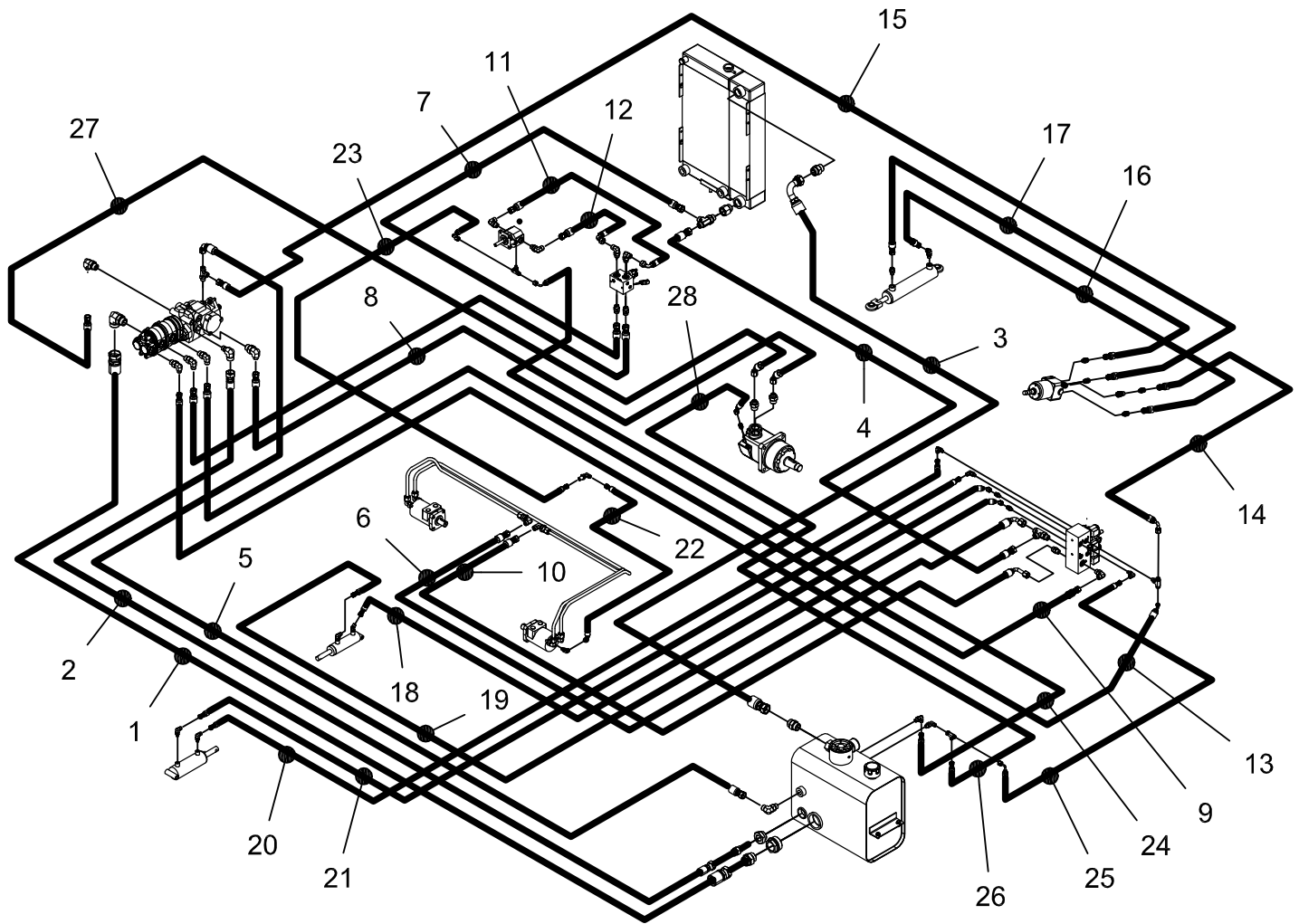


REV B

SEAT MOUNT GROUP (730147)

Parts List 730147			
ITEM	PART NUMBER	QTY	DESCRIPTION
1	11038098	2	BOLT, M6-100 X 20 HH
2	11038247	1	BLT-HH M8-1.25 X 25 STL ZINC
3	12040044	6	NUT, M6-1.00 ESN
4	12040051	3	NUT, M8-1.25 ESN
5	12310033	4	WASHER, M6
6	12310041	2	WASHER, M8
7	3400103	1	LOCK WASHER, 1/4 HS MED
8	3400384	2	WASHER, 5/16 BELLEVILLE
9	600138	1	SPACER, .328 B .500 OD .188 T
10	600194	2	LATCH, COVER
11	600940	2	WASHER, M8 FENDER
12	600948	2	WASHER, .50 CURVED SPRING
13	600963	2	WASHER, M6, CURVED SPRING
14	620219	1	SEAT
15	711316	1	NUT, HEX 1/4-20 ZINC PL
16	711374	4	NUT, FIBER INSERT 5/16-18
17	717024	4	BOLT, M8-1.25 X 20 HH
18	730320	1	WELDMENT, SEAT MNT
19	730482	1	BRACKET, SEAT STRIKER
20	730484	1	PLATE, SEAT LOCK
21	730486	1	PLT, SPACER
22	730487	1	SUPPORT, SEAT MNT
23	730488	1	SLIDE LATCH
24	731006	4	BOLT, M6-1.00 X 25 HH ZP
25	731163	1	ROD, LATCH
26	REF	-	CONSOLE
27	REF	-	COVER PLATE

HYDRAULIC HOSE GROUP (730148)

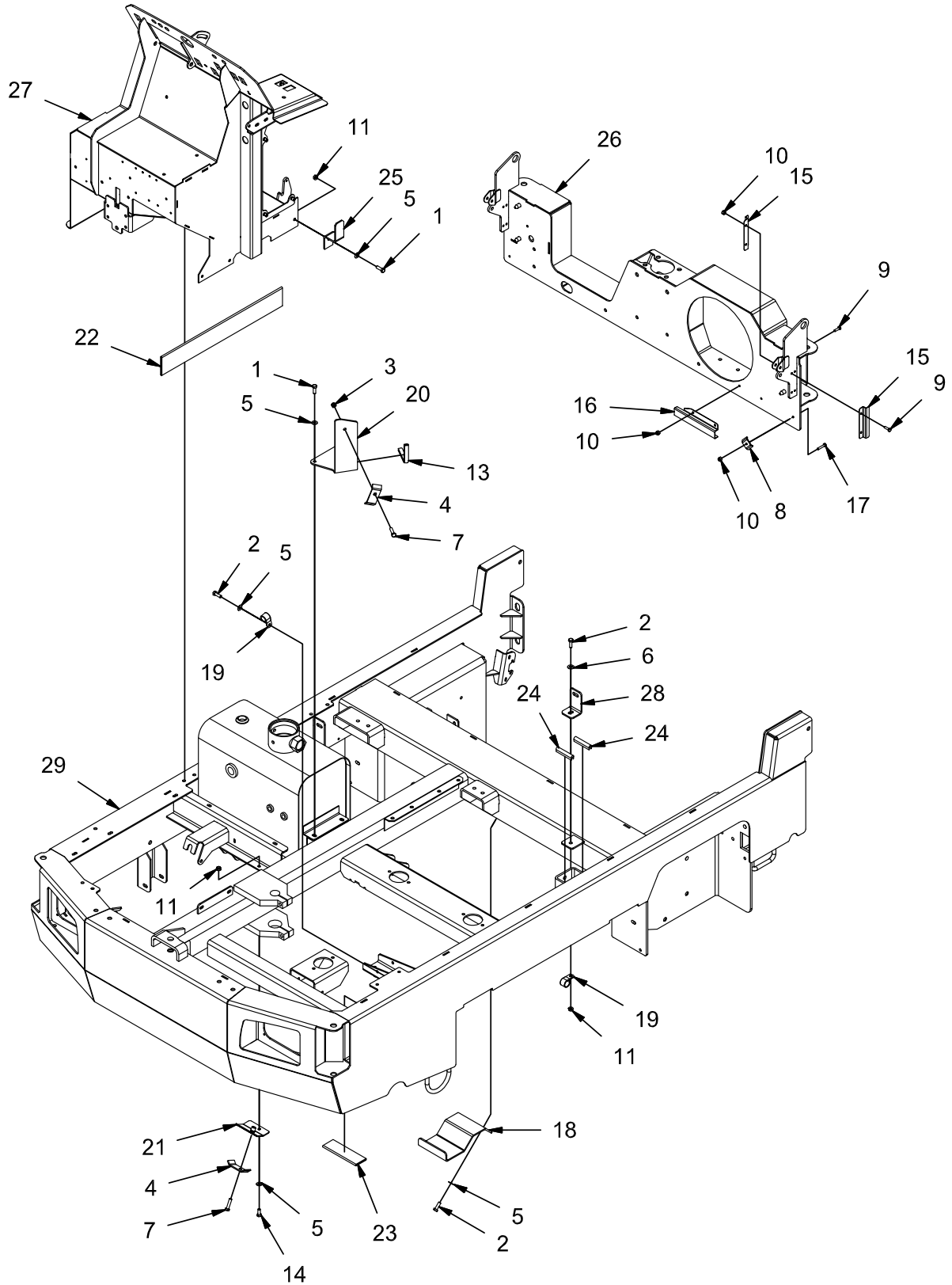


REV C

HYDRAULIC HOSE GROUP (730148)

Parts List 730148			
ITEM	PART NUMBER	QTY	DESCRIPTION
1	731051	1	HOSE, 20 STR - 20 STR SUC (RES TO AUX PUMP IN)
2	731052	1	HOSE, 12 STR - 12 STR SUC (RES TO VDP CASE)
3	731053	1	HOSE, 16 STR - 16 90 RET (COOLER UPPER TO RES)
4	731054	1	HOSE, 10 STR - 10 STR RET (VALVE T2 TO COOLER)
5	731055	1	HOSE, 10 STR - 8 90 RET (VDP CASE TO RES)
6	731056	1	HOSE, 8 STR - 10 90 MED (MB LEFT TO VALVE T2)
7	731057	1	HOSE, 8 STR - 10 STR MED (IMP SOL T TO COOLER)
8	731058	1	HOSE, 8 STR - 8 STR MED (AUX PUMP 2 TO IMP SOL P)
9	731059	1	HOSE, 8 STR - 8 STR MED (AUX PUMP 1 TO VALVE P2)
10	731060	1	HOSE, 8 STR - 8 90 MED (VALVE MB OUT TO MB RIGHT)
11	731061	1	HOSE, 8 STR - 8 90 MED (IMP SOL VF OUT TO IMP LEFT)
12	731062	1	HOSE, 8 STR - 8 90 MED (IMP RIGHT TO IMP SOL VF IN)
13	731063	1	HOSE, 6 STR - 6 45 MED (AUX PUMP 3 TO VALVE P1)
14	731064	1	HOSE, 6 STR - 6 90 MED (VALVE P1 TO STR PRESS)
15	731065	1	HOSE, 6 STR - 8 STR RET (STR TANK TO VDP CASE)
16	731066	1	HOSE, 6 STR - 6 STR MED (STR LEFT TO CYL F)
17	731067	1	HOSE, 6 STR - 6 STR MED (STR RIGHT TO CYL R)
18	731068	1	HOSE, 4 STR - 4 45 MED (VALVE BL A TO SH CYL F)
19	731069	1	HOSE, 4 STR - 4 45 MED (VALVE BL B TO SH CYL R)
20	731070	1	HOSE, 4 STR - 4 STR MED (VALVE SG B TO SQU CYL F)
21	731071	1	HOSE, 4 STR - 4 STR MED (VALVE SG A TO SQU CYL R)
22	731072	1	HOSE, 4 STR - 4 45 MED (MB CASE TO MB MOTOR)
23	731073	1	HOSE, 4 STR - 4 90 MED (MB CASE TO IMP CASE)
24	731074	1	HOSE, 4 STR - 4 90 MED (IMP CASE TO RES)
25	731075	1	HOSE, 4 STR - 4 90 MED (VALVE T1 TO RES)
26	731076	1	HOSE, 4 STR - 4 45 MED (WHEEL DRIVE CASE TO RES)
27	731077	1	HOSE, 8 STR - 8 45 SPCL (VDP L TO WHEEL DRIVE R)
28	731078	1	HOSE, 8 STR - 8 45 SPCL (VDP R TO WHEEL DRIVE F)

HOSE CLAMP GROUP (730149)

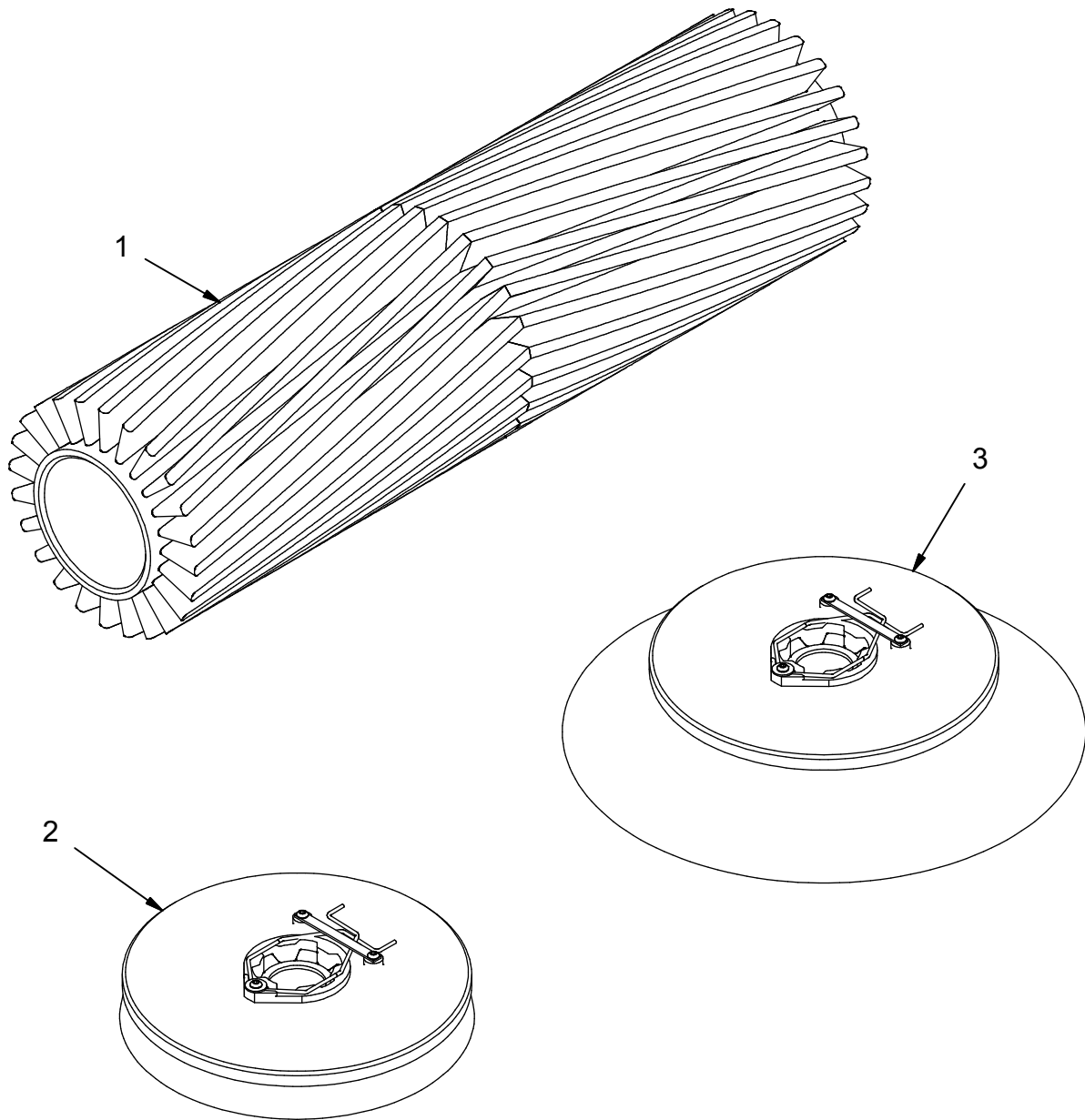


REV B

HOSE CLAMP GROUP (730149)

Parts List			
ITEM	PART NUMBER	QTY	DESCRIPTION
1	11038247	3	BLT-HH M8-1.25 X 25 STL ZINC
2	11039567	4	BOLT, M8-1.25 X 25 HH SS
3	12040259	1	NUT, M8-1.25 ESN SS
4	3305398	2	RETAINER, HOSE, OFFSET, 8
5	3400384	7	WASHER, 5/16 BELLEVILLE
6	3400385	1	WASHER, 3/8, BELLEVILLE
7	600918	2	BOLT, M8-125 X 35 HH
8	600822	1	RETAINER, HOSE, SYM, 6
9	600913	4	BOLT, M6-1.00 X 20 HH SS
10	600933	5	NUT, M6-1.00 ESN SS
11	600934	5	NUT, M8-1.25 FLNG
12	600952	1	BOLT, M6-1.00 X 35 HH
13	620039	1	EDGING, 3/16 X 5.75"
14	717030	1	BOLT, M8-1.25 X 20 HH SS
15	730880	2	HOSE RETAINER, SINGLE
16	730881	1	HOSE RETAINER, DOUBLE
17	731050	1	BOLT, M6-100 X 30 HH SS
18	731145	1	BRACKET, HOSE TRAY
19	731146	2	CLAMP, HOSE, .88
20	731147	1	TRAY, REAR HOSE
21	731148-1	1	ASSEMBLY, HOSE CLAMP BRACKET
22	731150	1	SLEEVE, AS-B-33 X 22.0"
23	731151	1	SLEEVE, AS-B-17 X 6.0"
24	731152	2	EDGING, .31 X 2.75"
25	731153	1	BRACKET, CENTER HOSE
26	REF.	-	REAR BUMPER
27	REF.	-	CONSOLE
28	REF.	-	BRACKET, TANK MNT
29	REF.	-	FRAME

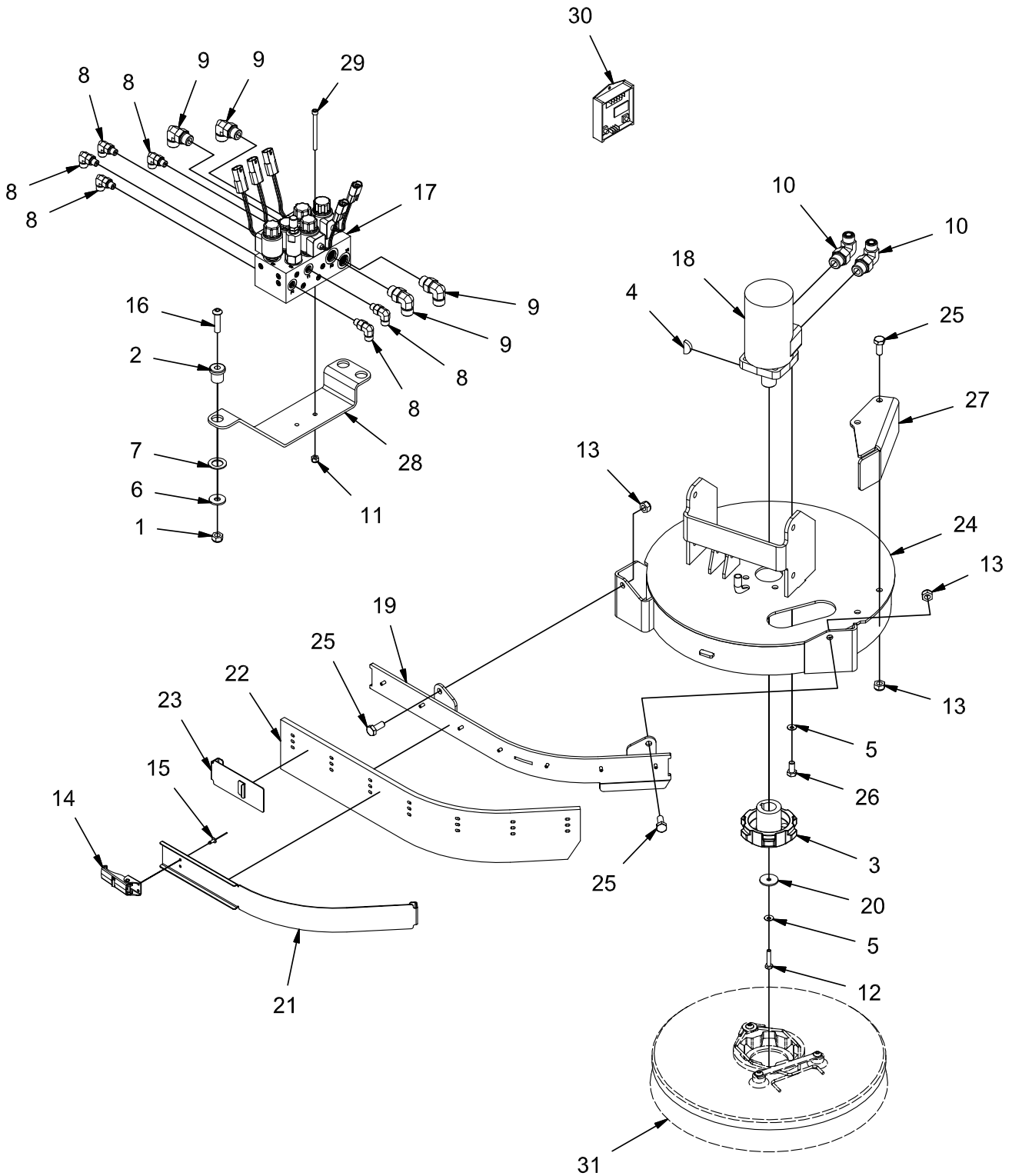
BRUSH/BROOM GROUP (730175)



BRUSH/BROOM GROUP (730175)

Parts List - 730175			
ITEM	PART NUMBER	QTY	DESCRIPTION
1	731090	1	BRUSH, CYLINDRICAL, 45", NYLON
1	731091	1	BRUSH, CYLINDRICAL, 45", POLY
1	731092	1	BRUSH, CYLINDRICAL, 45", 80 GRIT ABRASIVE
1	731093	1	BRUSH, CYLINDRICAL, 45", 180 GRIT ABRASIVE
2	3313128	1	BRUSH, DISC, 16", PURPLE
2	3313126	1	BRUSH, DISC, 16", BLACK
2	3332545	1	BRUSH, DISC, 16", BLUE
2	3315385	1	BRUSH, DISC, 16", RED
2	3313136	1	BRUSH, DISC, 16", NYLON
3	731259	1	SIDE BROOM, 24", POLY

OPTION - SIDE BRUSH GROUP (730000)

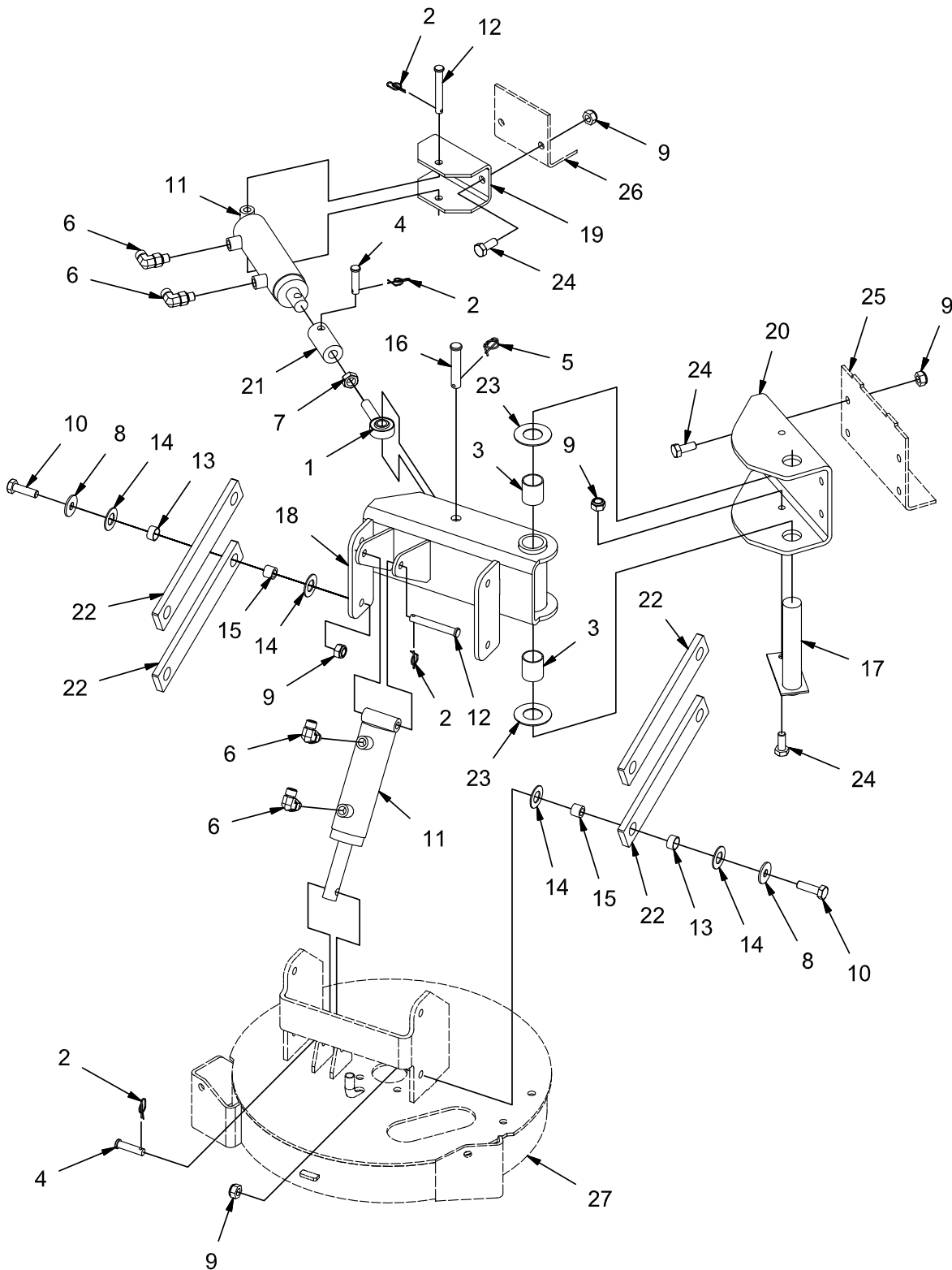


REV *

OPTION - SIDE BRUSH GROUP (730000)

Parts List 730000			
ITEM	PART NUMBER	QTY	DESCRIPTION
1	12040069	3	NUT, M10-1.50 ESN
2	3300465	3	ISOLATOR, VIB
3	3324451	1	HUB, DRIVE
4	3330338	1	KEY, WOODRUFF .25 X .50
5	3400383	5	WASHER, 1/4 BELLEVILLE
6	600363	3	WASHER, ISOLATOR
7	66-431-A	3	WASHER, .77 B 1.25 OD .075 T
8	675507	6	FITTING, 90, 4 ORFS - 4 SAE
9	675523	4	FITTING, 90, 8 ORFS - 8 SAE
10	675528	2	FITTING, 90, 8 ORFS - 10 SAE
11	711373	2	NUT, FIBER INSERT 1/4-20
12	712566	1	SCREW, 1/4-20 X 1.25 HH SS
13	730339	4	NUT, M10-1.50 ESN SS
14	730652	1	LATCH, UNDER CENTER
15	730654	2	RIVET,BLIND, .156 D X .062 - .125 GRIP SS
16	730698	3	BOLT, M10-1.50 X 40 BUTTON HD CAP
17	730795	1	MANIFOLD, SSB
18	730892	1	MOTOR, 9.7 DISP
19	730927	1	WELDMENT, SSB SQU MNT
20	730933	1	WASHER, .28 B, 1.25 OD, .105 T SS
21	730938	1	SSB SQU RETAINER
22	730939	1	SSB SQUEEGEE
23	730940	1	WELDMENT, SSB REAR RET
24	730942	1	WELDMENT, SSB MOUNT
25	730958	4	BOLT, M10-1.50 X 25 HH SS
26	730959	4	SCREW, 3/8-16 X .750 HHC SS
27	730963	1	WELDMENT, SSB GUARD
28	730964	1	MOUNT, SSB MANIFOLD
29	730965	2	BOLT, 1/4-20 X 3.00 SOC HD CAP
30	731126	1	PROPORTIONAL VALVE DRIVER - DOUBLE
31	REF.	-	SCRUB BRUSH, 16 D

OPTION - SIDE BRUSH LIFT GROUP (730001)

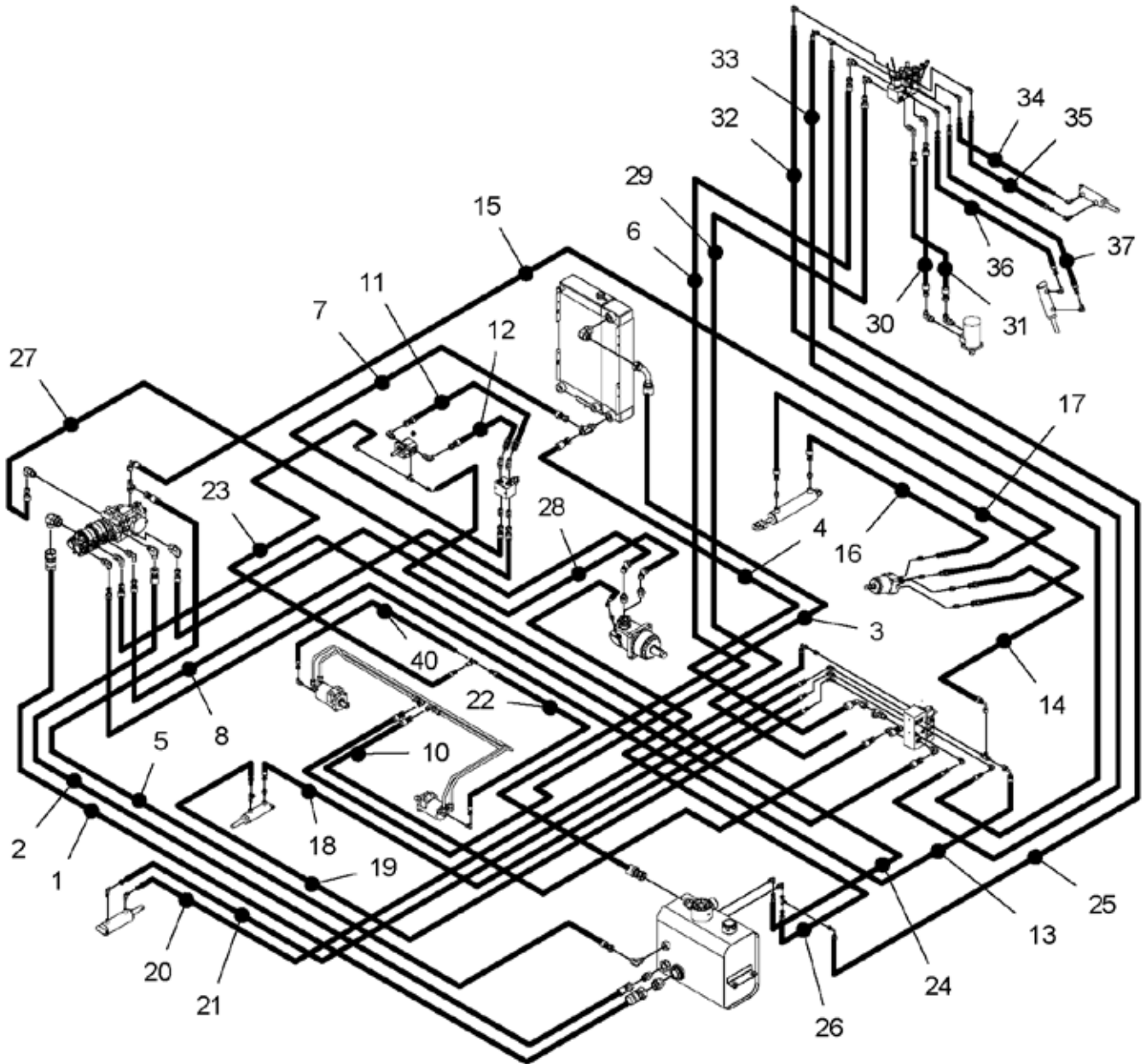


REV 4

OPTION - SIDE BRUSH LIFT GROUP (730001)

Parts List 730001			
ITEM	PART NUMBER	QTY	DESCRIPTION
1	3311977	1	ROD END, MALE, 1/2-20
2	3400125	4	RUE-RING, .375
3	600174	2	BEARING, FIBERGLIDE 1.00 ID 1.25 T
4	600573	2	PIN, CLEVIS, 3/8 X 1.50
5	600578	1	RUE-RING, .50
6	675507	4	FITTING, 90, 4 ORFS - 4 SAE
7	711337	1	NUT, HEX JAM 1/2-20
8	717040	8	WASHER, FENDER, .413 B 1.18 OD .098 T SS
9	730339	15	NUT, M10-1.50 ESN SS
10	730345	8	BOLT, M10-1.50 X 35 HH SS
11	730548	2	CYLINDER, HYD, 1.50 B X 2.88 STK
12	730602	2	PIN, CLEVIS, .375 X 2.75
13	730646	8	BEARING, DU, .63 B .72 OD .38 T
14	730647	16	WASHER, THRUST, .66 B 1.25 OD .06 T
15	730648	8	SPACER, .406 B .624 OD .515 T SS
16	730875	1	PIN, CLEVIS 1/2 X 2.50 ZP
17	730907	1	WELDMENT, PIN
18	730910	1	WELDMENT, SSB ARM
19	730923	1	SSB CYL MNT
20	730924	1	SSB MNT
21	730925	1	SSB ADJ TUBE
22	730926-1	4	SSB LINK
23	730957	2	WASHER, THRUST, 1.03 B 2.00 OD .063 T
24	730958	7	BOLT, M10-1.50 X 25 HH SS
25	REF.	-	FRAME
26	REF.	-	FRAME
27	REF.	-	SSB MOUNT

OPTION - SIDE BRUSH HYDRAULIC HOSE GROUP (730011)

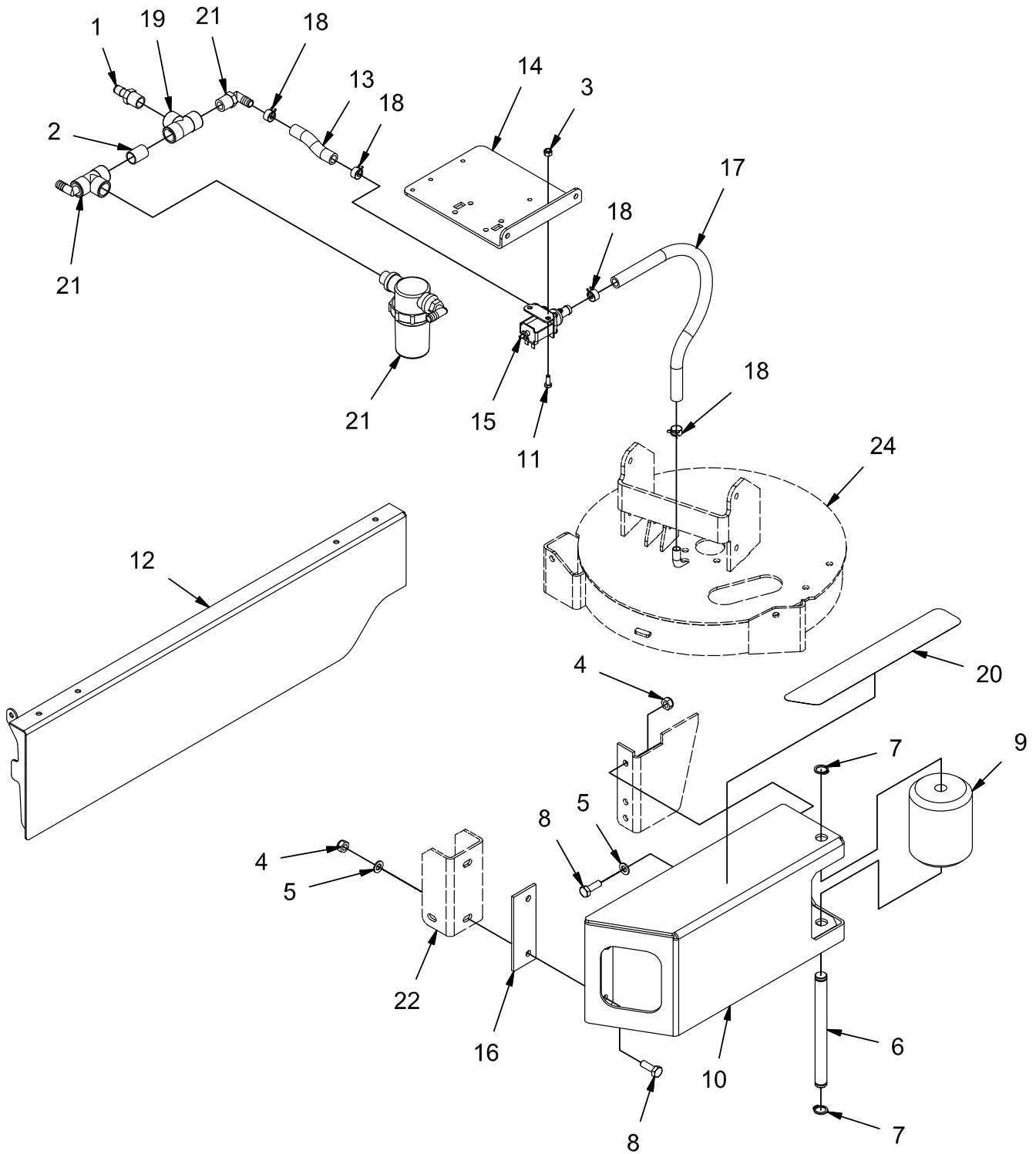


REV *

OPTION - SIDE BRUSH HYDRAULIC HOSE GROUP (730011)

Parts List 730011			
ITEM	PART NUMBER	QTY	DESCRIPTION
1	731051	1	HOSE, 20 STR - 20 STR SUC (RES TO AUX)
2	731052	1	HOSE, 12 STR - 12 STR SUC (RES TO CASE)
3	731053	1	HOSE, 16 STR - 16 90 RET (COOLER TO RES)
4	731054	1	HOSE, 12 STR - 12 90 RET (VALVE T2 TO COOLER)
5	731055	1	HOSE, 10 STR - 10 STR RET (CASE TO RES)
6	731079	1	HOSE, 8 STR - 10 STR RET (MB TO VALVE T2)
7	731057	1	HOSE, 8 STR - 10 STR RET (IMP SOL T TO COOLER)
8	731058	1	HOSE, 8 STR - 8 STR MED (AUX 1 TO IMP SOL P)
9	731059	1	HOSE, 8 STR - 8 STR MED (AUX 2 TO VALVE P2)
10	731060	1	HOSE, 8 STR - 8 STR MED (VALVE MB OUT TO MB)
11	731061	1	HOSE, 8 STR - 8 STR MED (IMP SOL VF OUT TO IMP)
12	731062	1	HOSE, 8 STR - 8 STR MED (IMP TO IMP SOL VF IN)
13	731063	1	HOSE, 6 STR - 6 90 MED (AUX 3 TO VALVE P1)
14	731064	1	HOSE, 6 STR - 6 90 MED (VALVE P1 TO STR)
15	731065	1	HOSE, 6 STR - 8 90 RET (STR TO VDP CASE)
16	731066	1	HOSE, 6 STR - 6 STR MED (STR TO CYL F)
17	731067	1	HOSE, 6 STR - 6 STR MED (STR TO CYL R)
18	731068	1	HOSE, 6 STR - 6 STR MED (VALVE BL A TO SH CYL F)
19	731069	1	HOSE, 6 STR - 6 STR MED (VALVE BL A TO SH CYL R)
20	731070	1	HOSE, 6 STR - 6 90 MED (VALVE SG A TO SQU CYL R)
21	731071	1	HOSE, 6 STR - 6 STR MED (VALVE SG B TO SQU CYL F)
22	731072	1	HOSE, 4 STR - 4 STR RET (MB CASE TO SCRUB HEAD)
23	731073	1	HOSE, 4 STR - 4 90 RET (SCRUB HD TO IMP CASE)
24	731074	1	HOSE, 4 STR - 4 90 RET (IMP CASE TO RES)
25	731080	1	HOSE, 4 STR - 4 90 RET (VALVE T1 TO RES)
26	731076	1	HOSE, 4 STR - 4 45 RET (WHEEL DRIVE CASE TO RES)
27	731077	1	HOSE, 8 STR - 8 45 SPCL (VDP L TO WHEEL DRIVE R)
28	731078	1	HOSE, 8 STR - 8 45 SPCL (VDP R TO WHEEL DRIVE F)
29	731081	1	HOSE, 8 STR - 8 STR MED (SSB VALVE T2 TO VALVE T2)
30	731082	1	HOSE, 8 STR - 8 STR MED (SSB VALVE SB OUT TO SB R)
31	731083	1	HOSE, 8-STR - 8 STR MED (SSB VALVE SB IN TO SB F)
32	731084	1	HOSE, 4-STR - 4 STR MED (VALVE PB TO SSB VALVE P1)
33	731085	1	HOSE, 4 STR - 4 90 MED (VALVE T1 TO SSB VALVE T1)
34	731086	1	HOSE, 4 STR - 4 STR MED (SSB VALVE SBE A TO EXT CYL L)
35	731087	1	HOSE, 4 STR - 4 STR MED (SSB VALVE SBE B TO EXT CYL R)
36	731088	1	HOSE, 4 STR - 4 STR MED (SSB VALVE SBL A TO LIFT CYL U)
37	731089	1	HOSE, 4 STR - 4 STR MED (SSB VALVE SBL B TO LIFT CYL L)

OPTION - SIDE BRUSH SOLUTION CONTROL GROUP (730002)

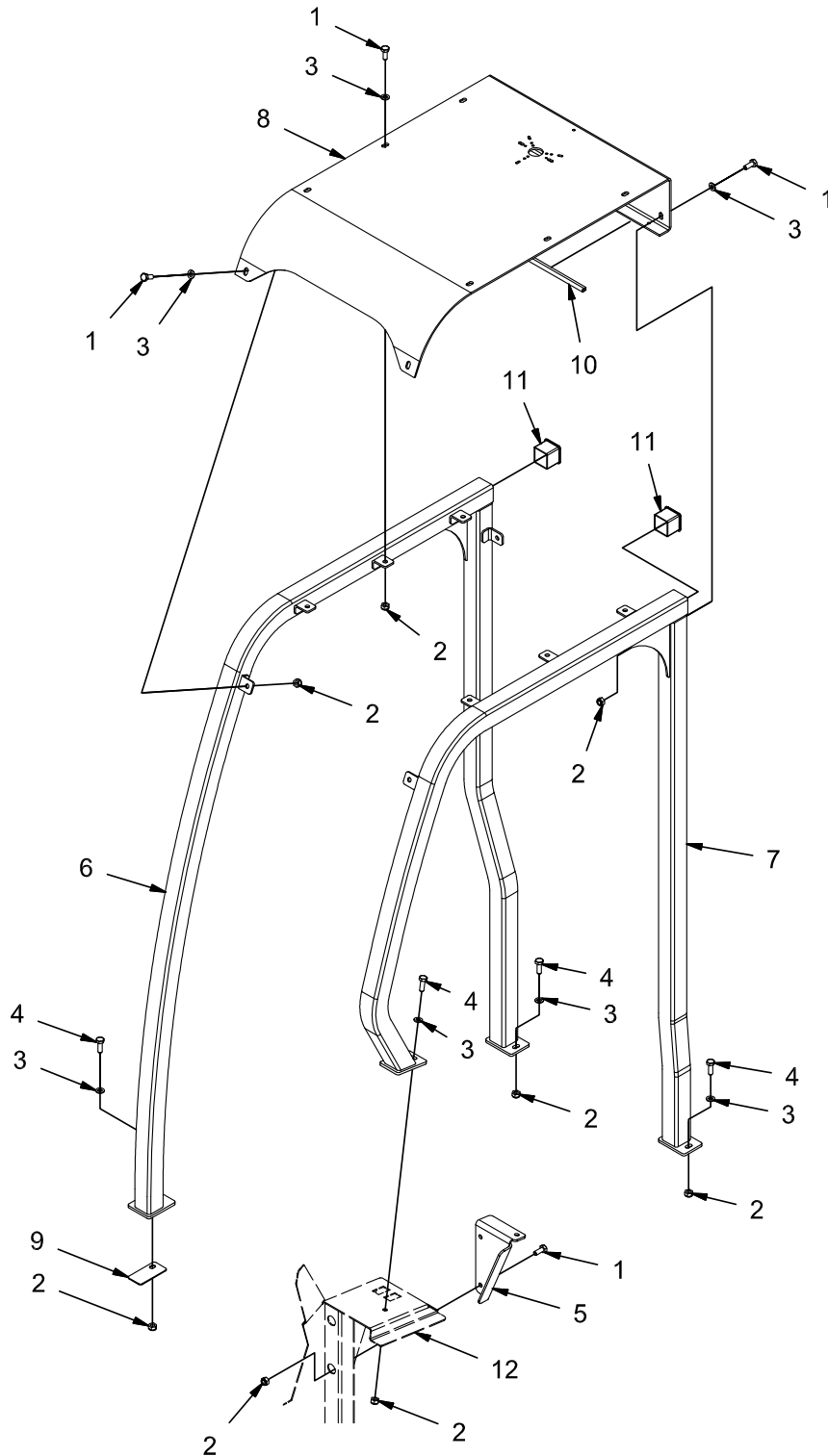


REV *

OPTION - SIDE BRUSH SOLUTION CONTROL GROUP (730002)

1	3315534	1	FITTING, PLASTIC, STR, .50 NPT .50 BARB
2	383465	1	1/2 NPT CLOSE PIPE NIPPLE, BRASS
3	600933	2	NUT, M6-1.00 ESN SS
4	730339	4	NUT, M10-1.50 ESN SS
5	730344	4	WASHER, M10 SS
6	730876	1	PIN, ROLLER
7	730877	2	RETAINING RING, EXT, .750
8	730878	4	BOLT, M10-1.50 X 30 HH SS
9	730915	1	ROLLER, SSB
10	730916	1	WELDMENT, SSB GUARD
11	730934	2	BOLT, M6-1.00 X 16 HH SS
12	730952	1	WELDMENT, SSB DOOR
13	730954	1	TUBING, .50 ID X .13 WALL BRAIDED VINYL
14	730955	1	BRACKET, FILTER MNT
15	730956	1	VALVE, SOLENOID, 12V, ADJ
16	730960	1	SPACER PLT
17	730961	1	TUBING, .50 ID X .13 WALL BRAIDED VINYL
18	730962	4	CLAMP, WIRE HOSE
19	730966	1	FITTING, PVC TEE, FEMALE 1/2 NPT
20	730967	1	PAD, STEP
21	REF.	-	FILTER AND STD FITTING COMPONENTS
22	REF.	-	FRAME
23	REF.	-	FRAME
24	REF.	-	SSB MOUNT

OPTION - OVERHEAD GUARD GROUP (730003)

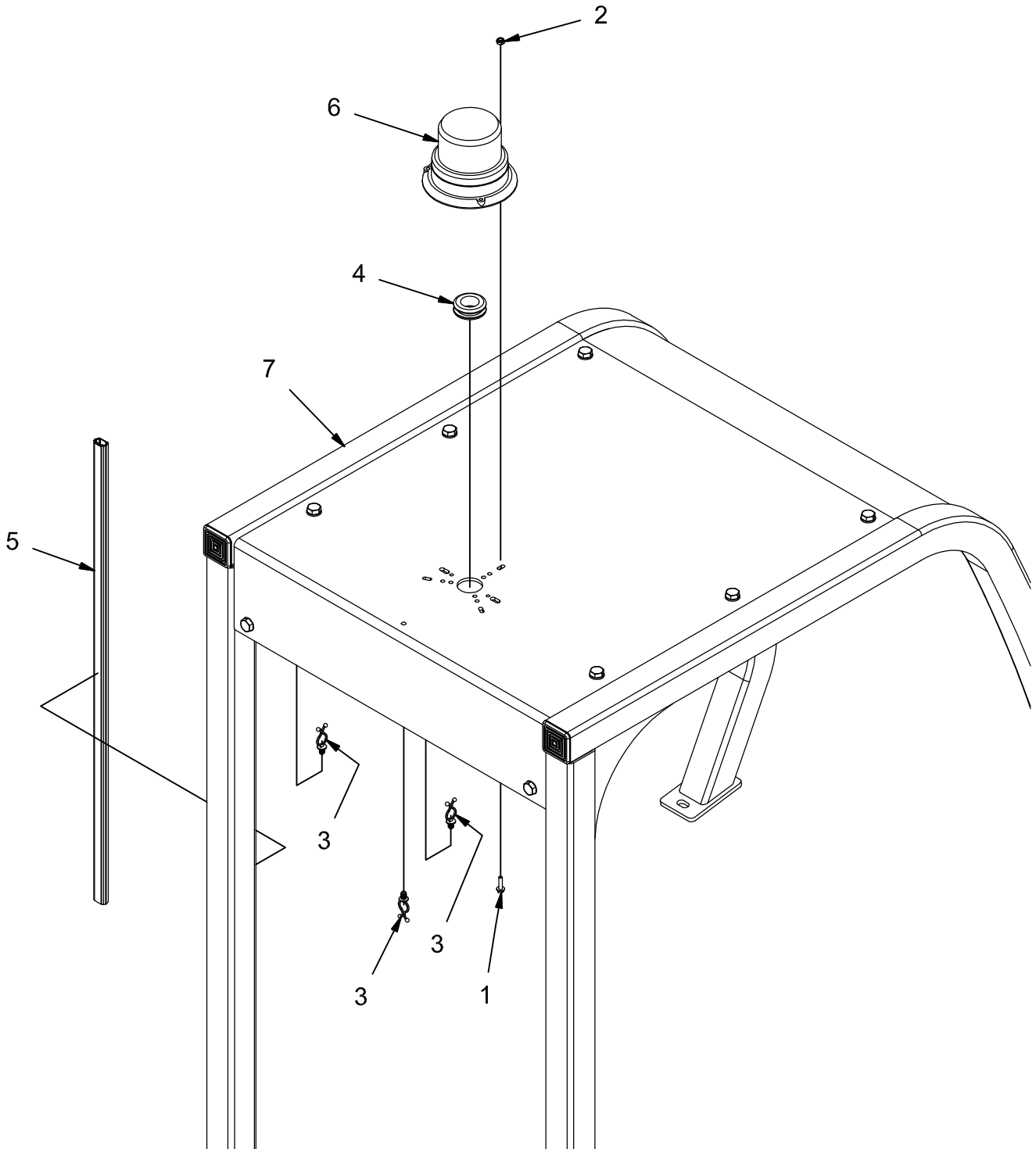


REV *

OPTION - OVERHEAD GUARD GROUP (730003)

Parts List - 730003			
ITEM	PART NUMBER	QTY	DESCRIPTION
1	11038346	12	BOLT, M10-1.50 X 25 HH
2	12040069	16	NUT, M10-1.50 ESN
3	12310058	14	WASHER, M10
4	3401051	4	BOLT, M10-1.50 X 30 HH
5	730697	1	BRACKET, OHG
6	731012	1	WELDMENT, OHG, RH SIDE
7	731020	1	WELDMENT, OHG, LH SIDE
8	731024	1	OHG, TOP PLT
9	731026	1	PLATE, SPACER
10	731027	1	EDGING, 3/16 X 23.62"
11	731028	2	PLUG, TUBING
12	REF.	-	CONSOLE

OPTION - STROBE LIGHT GROUP (ON OVERHEAD GUARD) (730004)

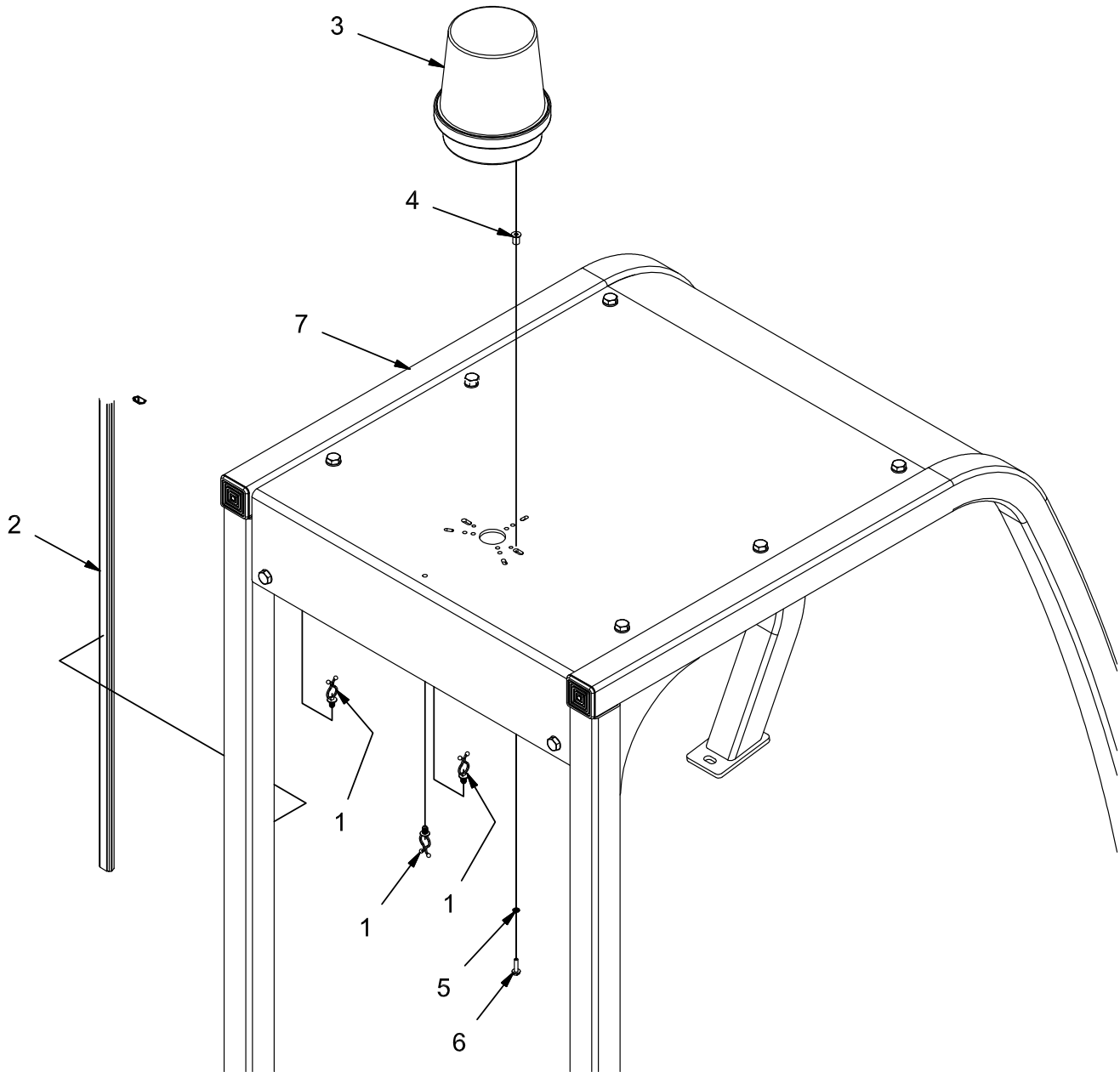


REV *

OPTION - STROBE LIGHT GROUP (ON OVERHEAD GUARD) (730004)

Parts List - 730004			
ITEM	PART NUMBER	QTY	DESCRIPTION
1	3400044	3	SCR-HEX,#10-32 X 0.75 ZP
2	3400172	3	NUT, 10-32 ESN
3	600581	3	CLAMP, WIRE CLIP
4	620160	1	GROMMET, 1.00 ID .1.375 OD .25 T
5	731029	1	WIRE CHANNEL
6	748918	1	ASSEMBLY, AMBER STROBE LIGHT
7	REF.	-	OVERHEAD GUARD
	748958	1	HARNESS, SAFETY LIGHT, OHG
	748947	1	QC7, WIRE JUNCTION

OPTION - ROTATING LIGHT GROUP (ON OVERHEAD GUARD) (730005)

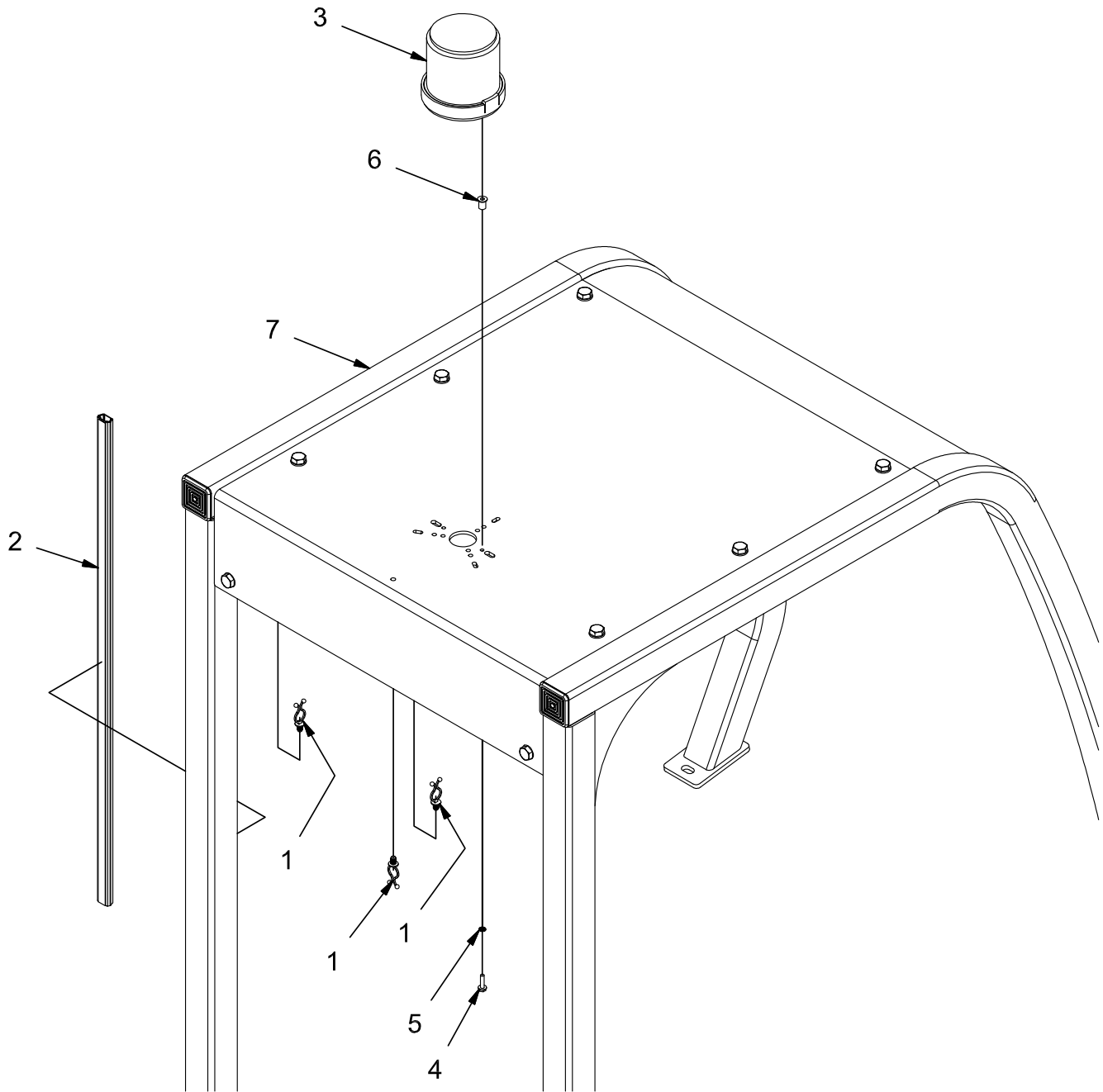


REV *

OPTION - ROTATING LIGHT GROUP (ON OVERHEAD GUARD) (730005)

Parts List - 730005			
ITEM	PART NUMBER	QTY	DESCRIPTION
1	600581	3	CLAMP, WIRE CLIP
2	731029	1	WIRE CHANNEL
3	748919	1	ASSEMBLY, AMBER ROTATING LIGHT
4	PART OF 748919	2	NUT, EXPANSION
5	PART OF 748919	2	STAR WASHER
6	PART OF 748919	2	SCREW
7	REF.	-	OVERHEAD GUARD
	748958	1	HARNESS, SAFETY LIGHT, OHG
	748947	1	QC7, WIRE JUNCTION

OPTION - FLASHING LIGHT GROUP (ON OVERHEAD GUARD) (730006)

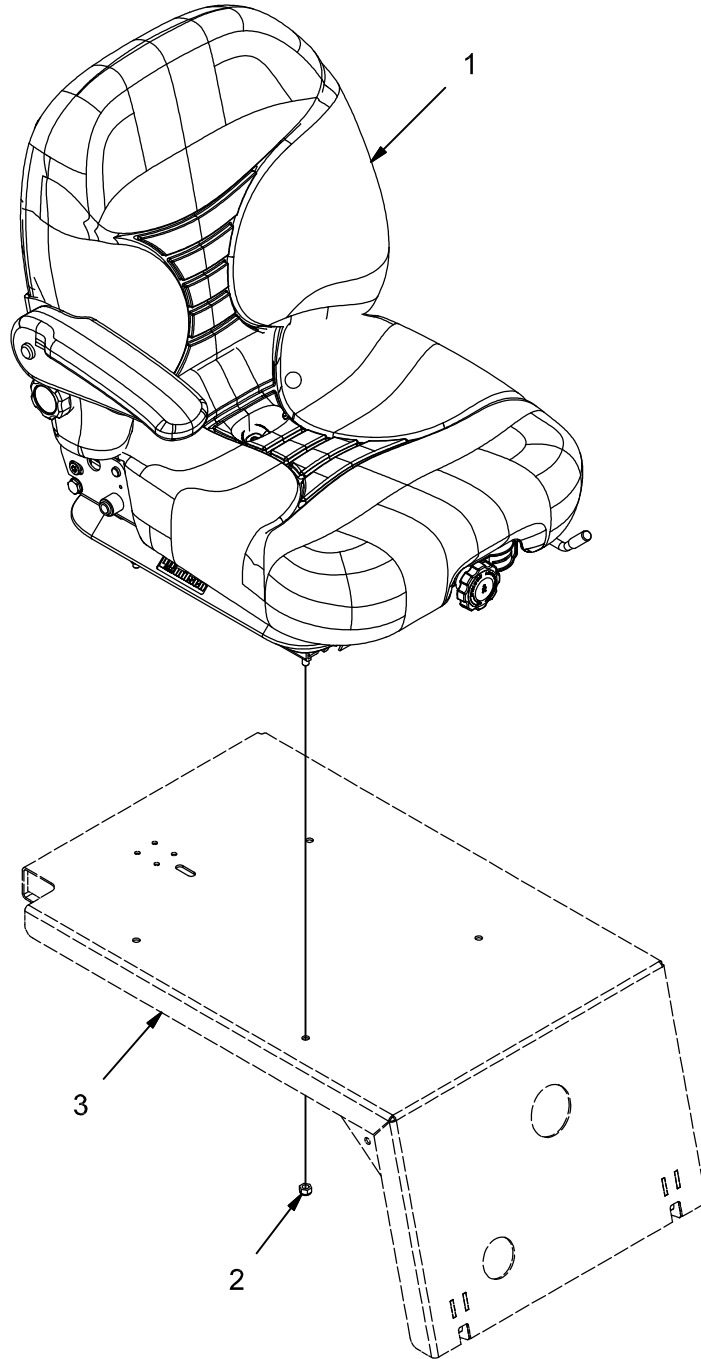


REV *

OPTION - FLASHING LIGHT GROUP (ON OVERHEAD GUARD) (730006)

Parts List - 730006			
ITEM	PART NUMBER	QTY	DESCRIPTION
1	600581	3	CLAMP, WIRE CLIP
2	731029	1	WIRE CHANNEL
3	748920	1	ASSEMBLY, AMBER FLASHING LIGHT
4	PART OF 748920	2	SCREW
5	PART OF 748920	2	STAR WASHER
6	PART OF 748920	2	NUT, EXPANSION
7	REF.	-	OVERHEAD GUARD
	748958	1	HARNESS, SAFETY LIGHT, OHG
	748947	1	QC7, WIRE JUNCTION

OPTION - SUSPENSION SEAT GROUP (730007)

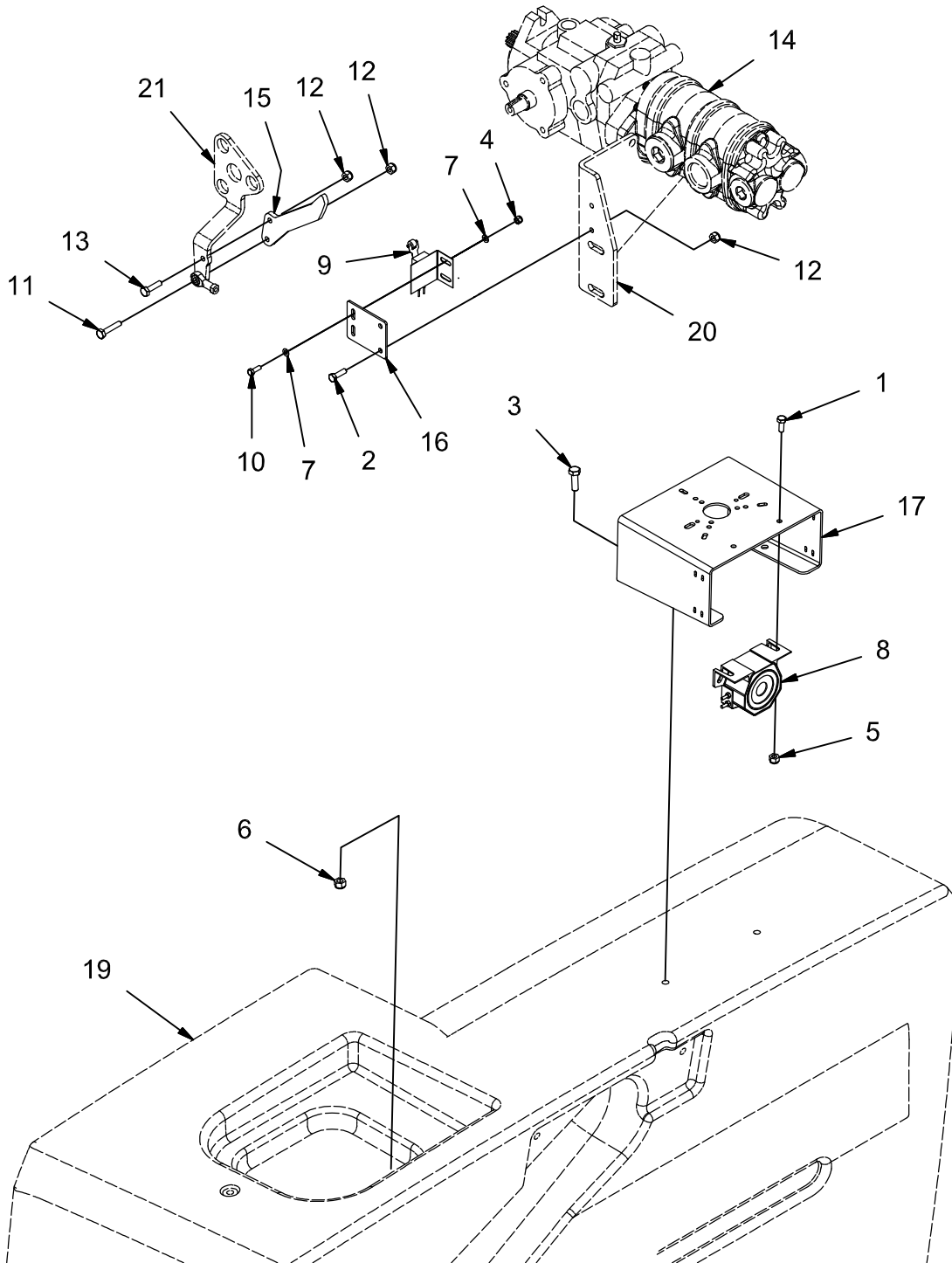


REV *

OPTION - SUSPENSION SEAT GROUP (730007)

Parts List - 730007			
ITEM	PART NUMBER	QTY	DESCRIPTION
1	620191	1	SEAT, SUSPENSION
2	711374	4	NUT, FIBER INSERT 5/16-18
3	REF.	-	SEAT MOUNT

OPTION - BACKUP ALARM GROUP (730008)

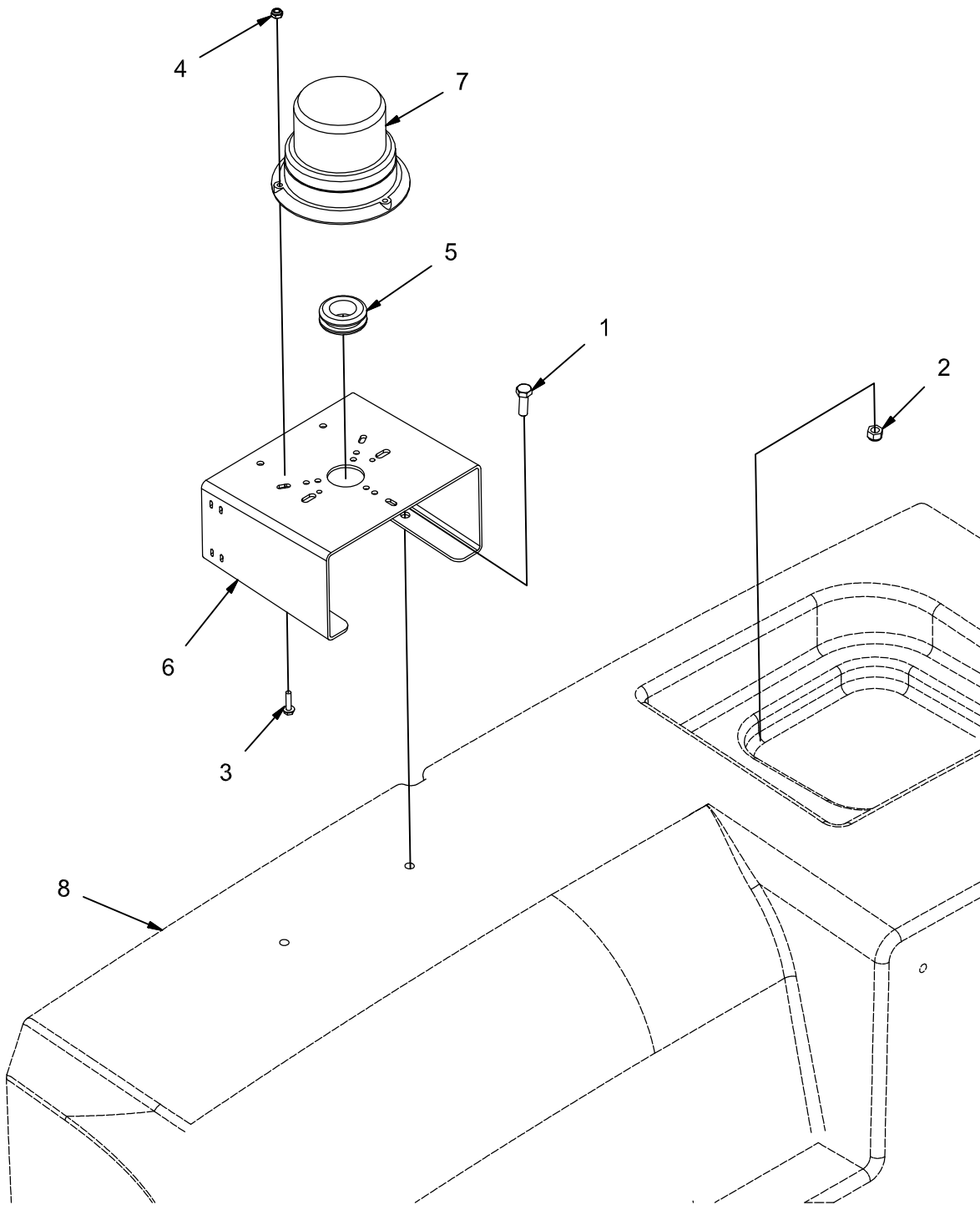


REV *

OPTION - BACKUP ALARM GROUP (730008)

Parts List 730008			
ITEM	PART NUMBER	QTY	DESCRIPTION
1	11038072	2	BOLT, M6-1.00 X 16 HH
2	11038098	2	BOLT, M6-100 X 20 HH
3	11039567	2	BOLT, M8-1.25 X 25 HH SS
4	12040036	2	NUT, M5 - 0.8 ESN
5	12040044	2	NUT, M6-1.00 ESN
6	12040259	2	NUT, M8-1.25 ESN SS
7	12310025	4	WASHER, M5
8	3303002	1	ALARM, BACKUP
9	600853-1	1	SWITCH, LIMIT, N.O.
10	600911	2	BOLT, M5-0.8 X 14 HH
11	711210	1	SCREW, 1/4-20 X 1.25 ZP FULL THREAD
12	711373	4	NUT, FIBER INSERT 1/4-20
13	713003	1	SCREW, 1/4-20 X 1.00 HH
14	REF	1	PUMP, AUX
15	731000	1	CAM, SWITCH
16	731002	1	MOUNT, REVERSE SWITCH
17	731030	1	MOUNT, SAFETY LIGHTS
18	REF.	-	PUMP ASSEMBLY
19	REF.	-	SOLUTION TANK
20	REF.	-	HYDROBACK MOUNT
21	REF.	-	DIR CONT ARM

OPTION - STROBE LIGHT GROUP (ON SOLUTION TANK) (730012)

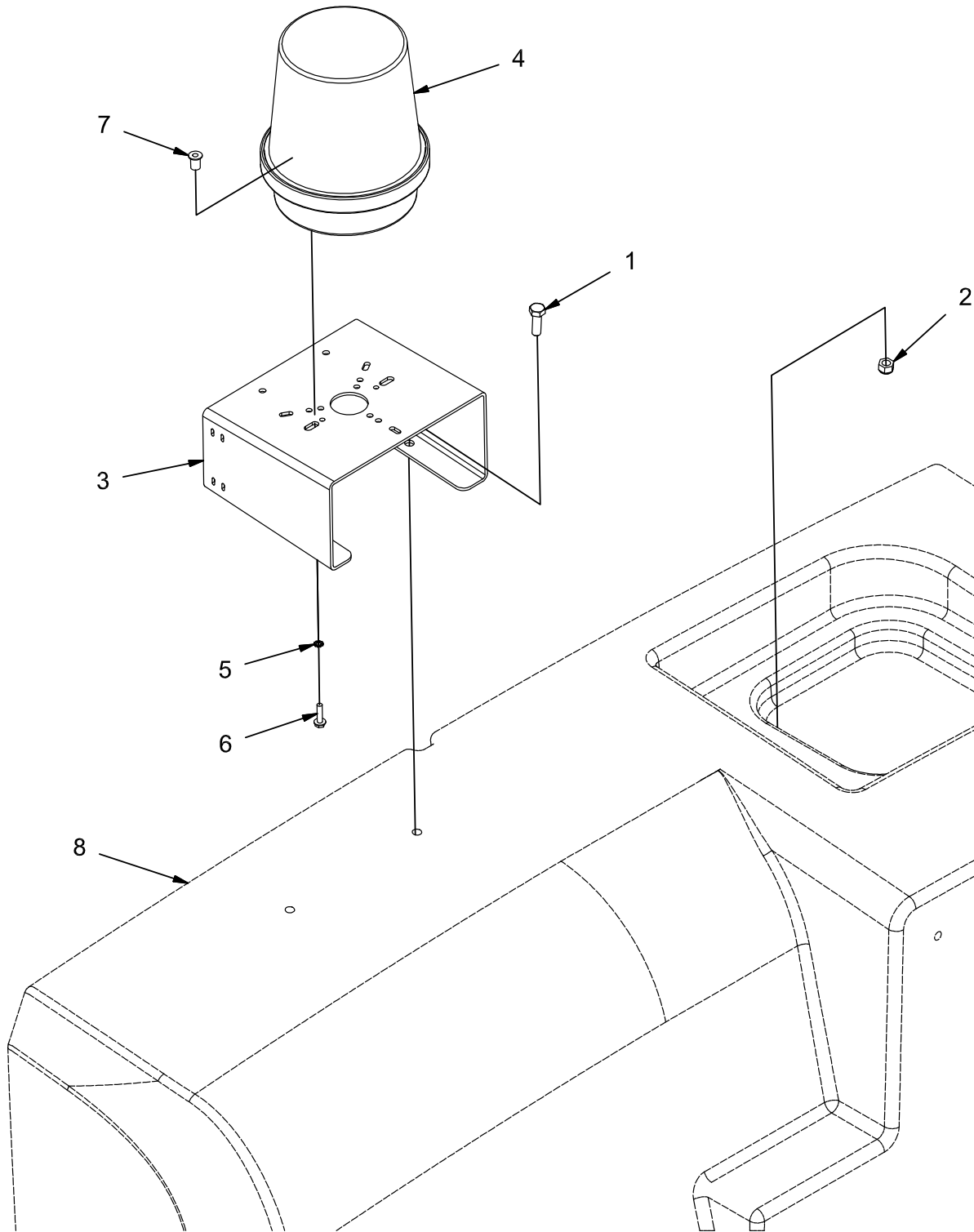


REV *

OPTION - STROBE LIGHT GROUP (ON SOLUTION TANK) (730012)

Parts List 730012			
ITEM	PART NUMBER	QTY	DESCRIPTION
1	11039567	2	BOLT, M8-1.25 X 25 HH SS
2	12040259	2	NUT, M8-1.25 ESN SS
3	3400044	3	SCR-HEX,#10-32 X 0.75 ZP
4	3400172	3	NUT, 10-32 ESN
5	620160	1	GROMMET, 1.00 ID .1.375 OD .25 T
6	731030	1	MOUNT, SAFETY LIGHTS
7	748918	1	ASSEMBLY, AMBER STROBE LIGHT
8	REF.	-	SOLUTION TANK
-	748959	1	HARNES, SAFETY LIGHT, SOL TANK
-	748947	1	QC7, WIRE JUNCTION

OPTION - ROTATING LIGHT GROUP (ON SOLUTION TANK) (730013)

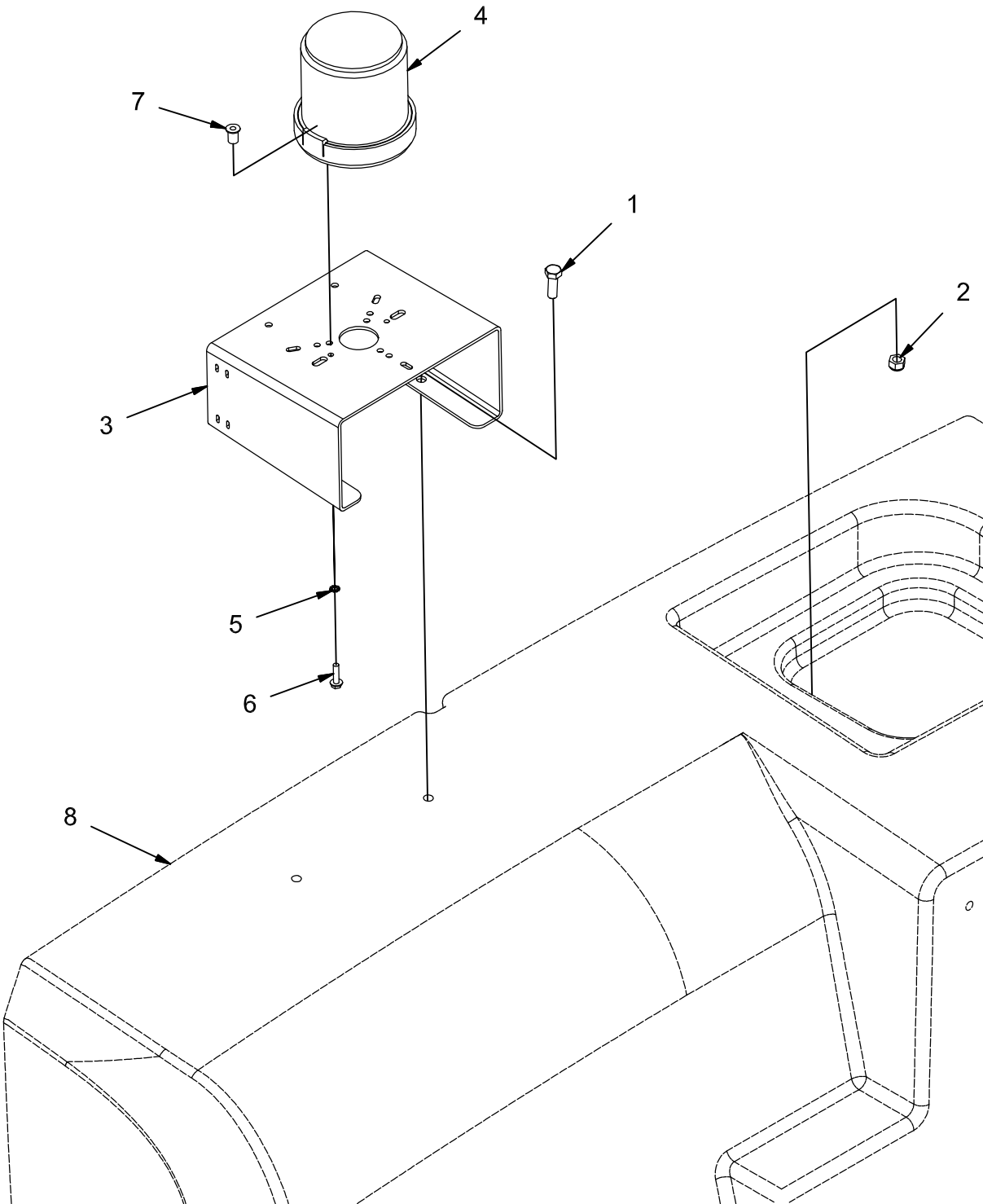


REV *

OPTION - ROTATING LIGHT GROUP (ON SOLUTION TANK) (730013)

Parts List 730013			
ITEM	PART NUMBER	QTY	DESCRIPTION
1	11039567	2	BOLT, M8-1.25 X 25 HH SS
2	12040259	2	NUT, M8-1.25 ESN SS
3	731030	1	MOUNT, SAFETY LIGHTS
4	748919	1	ASSEMBLY, AMBER ROTATING LIGHT
5	PART OF 748919	2	STAR WASHER
6	PART OF 748919	2	SCREW
7	PART OF 748919	2	NUT, EXPANSION
8	REF.	-	SOLUTION TANK
	748959	1	HARNESS, SAFETY LIGHT, SOL TANK
	748947	1	QC7, WIRE JUNCTION

OPTION - FLASHING LIGHT GROUP (ON SOLUTION TANK) (730014)

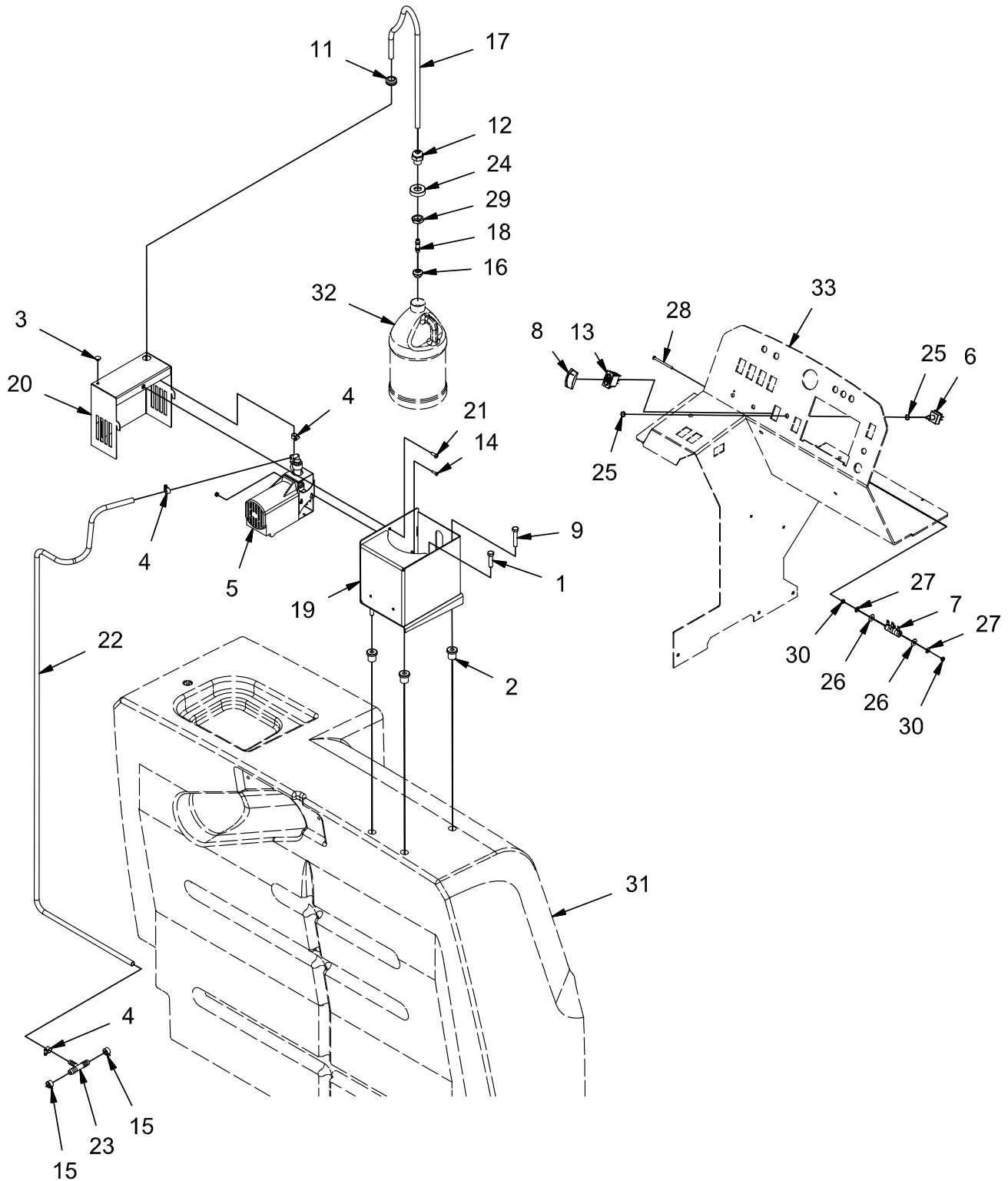


REV *

OPTION - FLASHING LIGHT GROUP (ON SOLUTION TANK) (730014)

Parts List 730014			
ITEM	PART NUMBER	QTY	DESCRIPTION
1	11039567	2	BOLT, M8-1.25 X 25 HH SS
2	12040259	2	NUT, M8-1.25 ESN SS
3	731030	1	MOUNT, SAFETY LIGHTS
4	748920	1	ASSEMBLY, AMBER FLASHING LIGHT
5	PART OF 748920	2	STAR WASHER
6	PART OF 748920	2	SCREW
7	PART OF 748920	2	NUT, EXPANSION
8	REF.	-	SOLUTION TANK
	748959	1	HARNESS, SAFETY LIGHT, SOL TANK
	748947	1	QC7, WIRE JUNCTION

OPTION - CHEMICAL METERING GROUP (730015)

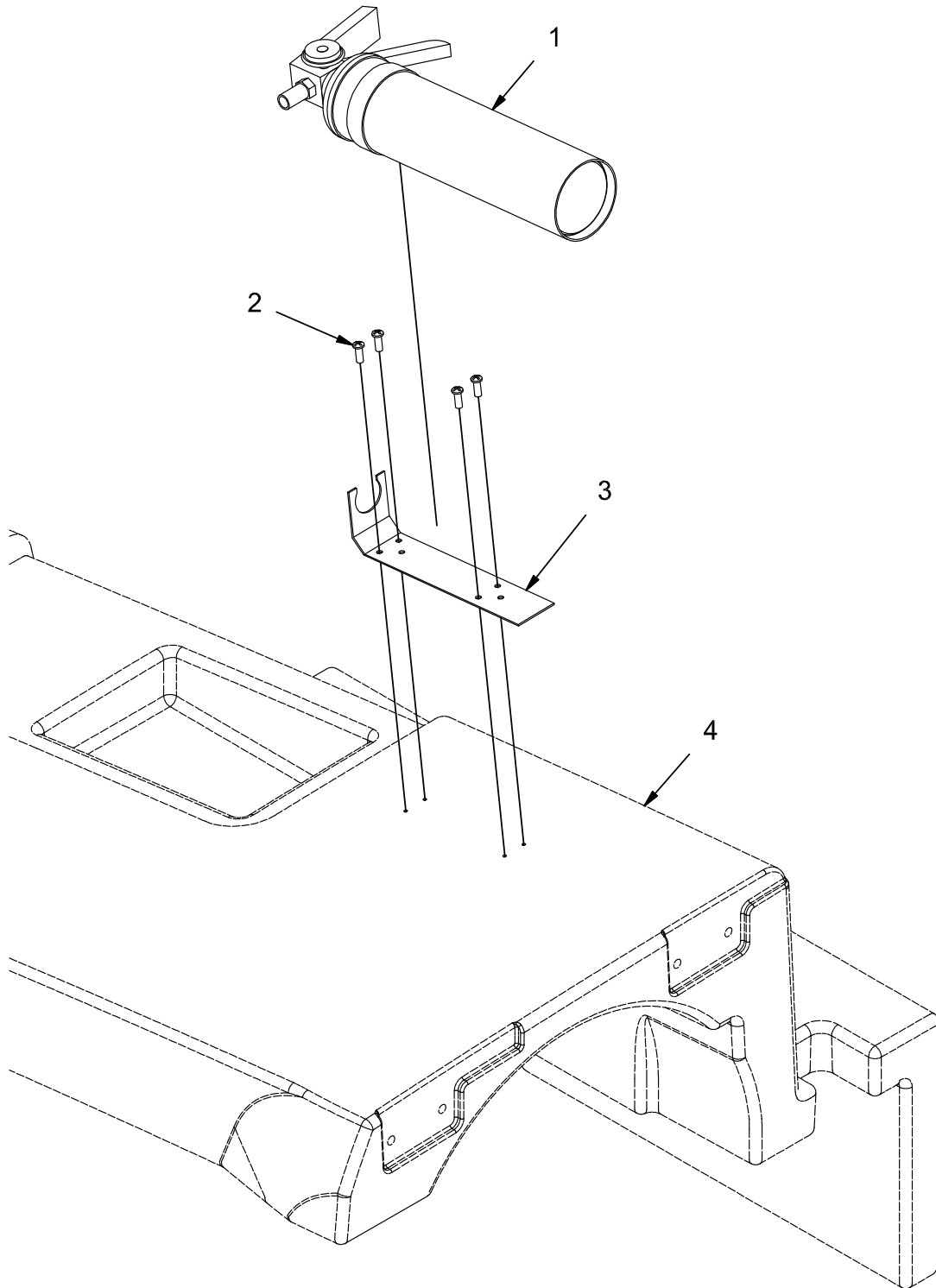


REV *

OPTION - CHEMICAL METERING GROUP (730015)

Parts List 730015			
ITEM	PART NUMBER	QTY	DESCRIPTION
1	3400455	2	SCREW, 3/8-16 X 1.50 HH SS
2	3300465	3	ISOLATOR, VIB
3	3300526	1	BUMPER, .25 ID .125 T
4	3302144	3	CLAMP, HOSE, .50 - 1.00
5	3303001	1	PUMP, METERING
6	3303072	1	SWITCH, ROTARY, 4-WAY
7	3323992	1	RESISTOR
8	3342273	1	SWITCH COVER - BLACK, CLEAR LENS
9	731213	1	SCREW, 3/8-16 X 2.00 HH SS
10	3400082	2	NUT, FIBER INSERT #8-32
11	600151	1	GROMMET, .63 ID .88 OD .25 T
12	600482	1	STRAIN RELIEF
13	620137	1	SWITCH BODY, DPST W/GREEN LAMP
14	710230	2	SCREW, #8-32 X .62 PAN HD
15	730962	2	CLAMP, WIRE HOSE
16	731105	1	STAINER, SUCTION, 40 MESH
17	731106	1	HOSE, SUCTION
18	731107	1	FITTING, .38 HOSE BARB COUPLING, NYLON
19	731111	1	WELDMENT, CHEMICAL PUMP MNT
20	731114-1	1	ASSEMBLY, PUMP COVER
21	731116	1	SCREW, M6-1.00 X 16 BUTTON HD CAP ZP
22	731117	1	HOSE, DELIVERY
23	172400	1	FITTING, TEE, .38 X .50 X .50 POLY
24	731119	1	CAP, CHEMICAL CONTAINER
25	PART OF 3303072	2	NUT
26	PART OF 3323992	2	FLAT WASHER, .31
27	PART OF 3323992	2	WASHER, RIDGE
28	PART OF 3323992	1	SCREW, #10-32 X 2.63
29	PART OF 600151	1	NUT, PLASTIC
30	PART OF 3323992	2	NUT, #19-32
31	REF.	-	SOLUTION TANK
32	REF.	-	CHEMICAL CONTAINER
33	REF.	-	CONSOLE

OPTION - FIRE EXTINGUISHER GROUP (730016)

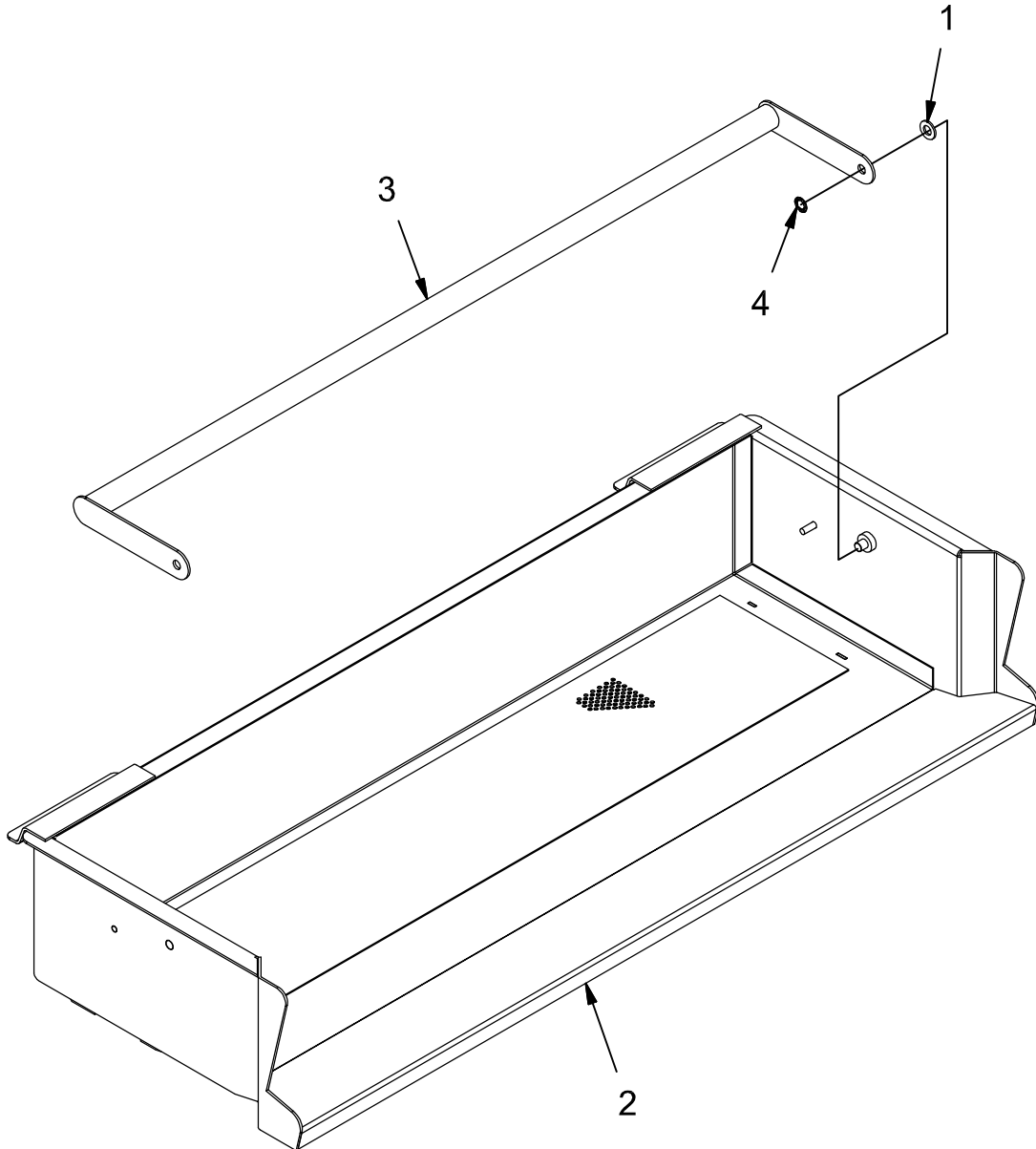


REV *

OPTION - FIRE EXTINGUISHER GROUP (730016)

Parts List 730016			
ITEM	PART NUMBER	QTY	DESCRIPTION
1	3302769	1	FIRE EXTINGUISHER
2	731099	4	SCREW, M6 X 16 PAN HD ZP FOR PLASTIC
3	PART OF 3302769	1	MOUNT, EXTINGUISHER
4	REF.	-	TOP COVER

OPTION - STAINLESS STEEL HOPPER GROUP (730027)

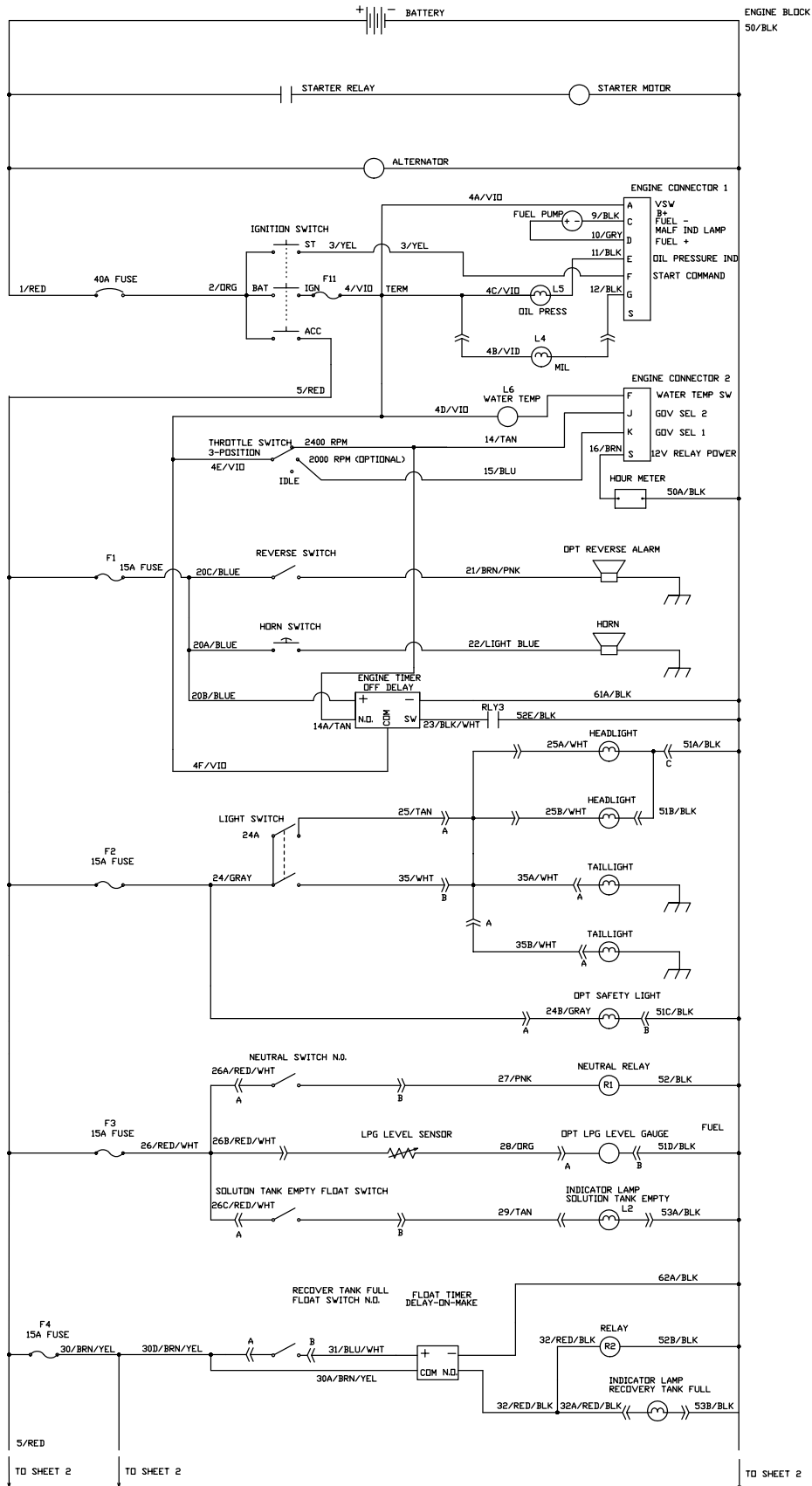


REV *

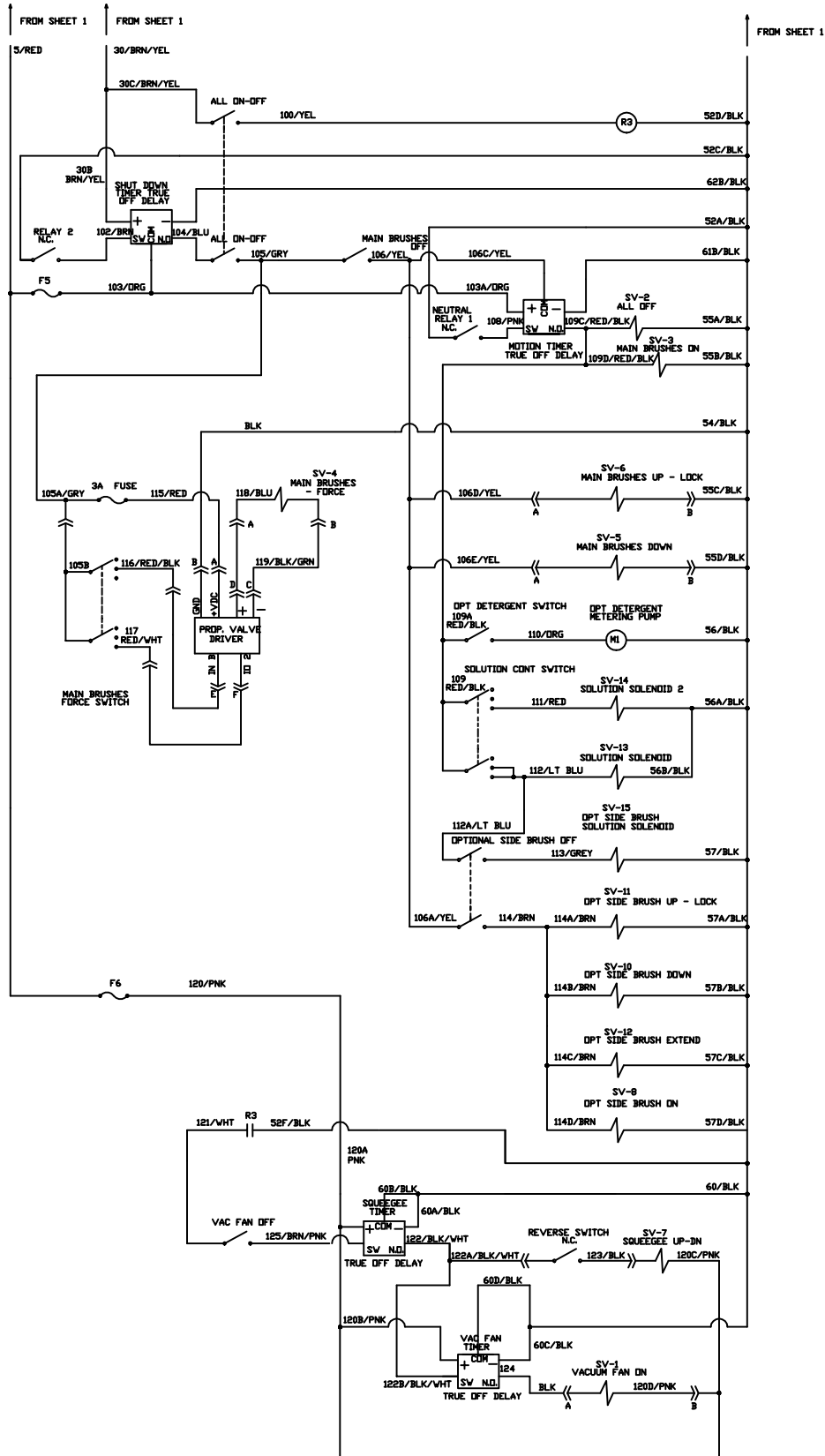
OPTION - STAINLESS STEEL HOPPER GROUP (730027)

Parts List 730124			
ITEM	PART NUMBER	QTY	DESCRIPTION
1	730344	2	WASHER, M10 SS
2	730815	1	WELDMENT, HOPPER
3	730835	1	WELDMENT, HANDLE
4	730844	2	RETAINING CLIP, .375 SS

ELECTRICAL SCHEMATIC LAYOUT

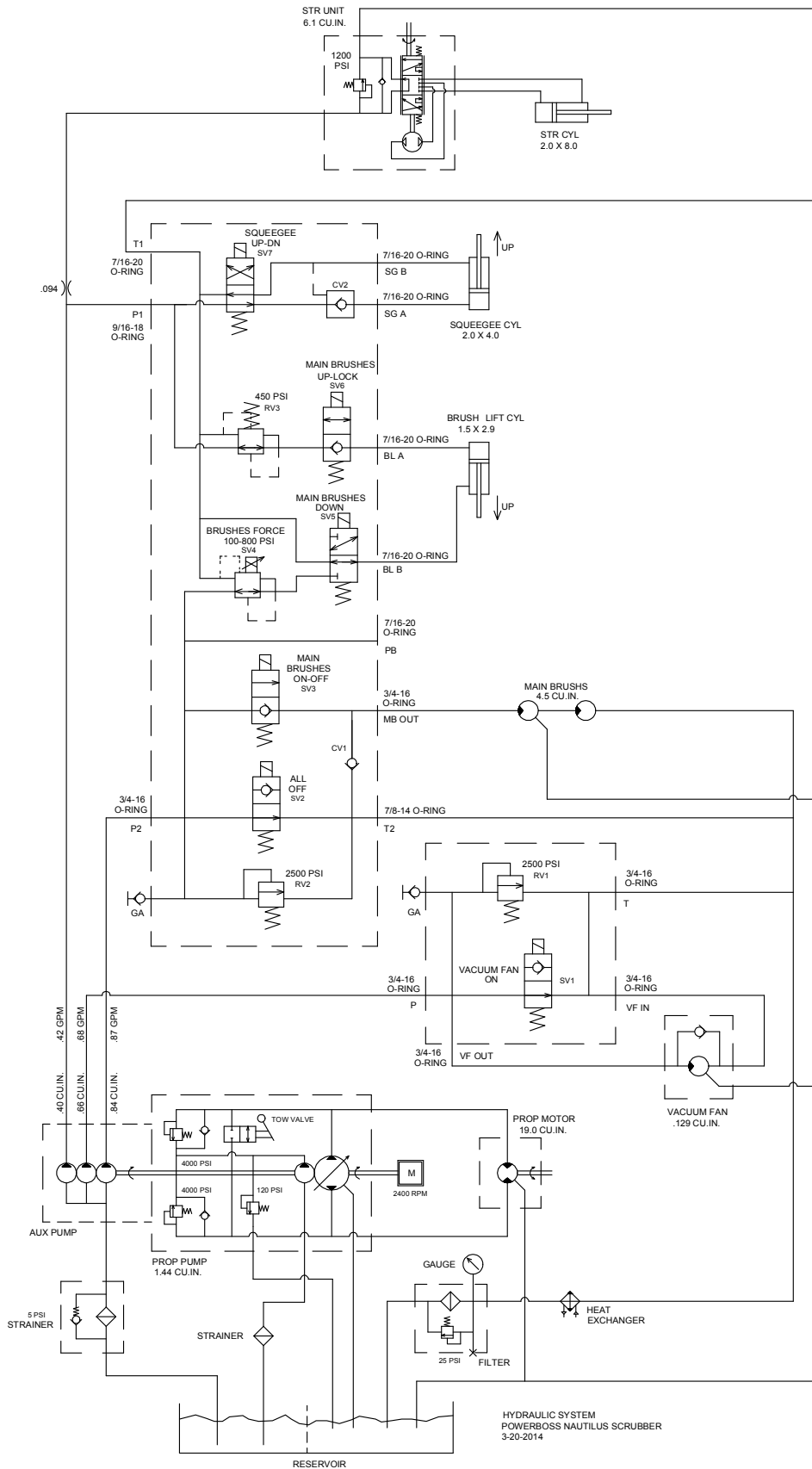


ELECTRICAL SCHEMATIC LAYOUT



745925-2, REV *
12/20/2013

HYDRAULIC SYSTEM LAYOUT



WARRANTY

Revision J
 Effective December 2013
 PowerBoss Made Simple Industrial Limited Warranty

Minuteman International owner of PowerBoss warrants to the original purchaser/user that the product is free from defects in workmanship and materials under normal use. PowerBoss will, at its option, repair or replace without charge, parts that fail under normal use and service when operated and maintained in accordance with the applicable operation and instruction manuals. All warranty claims must be submitted through and approved by factory authorized repair stations.

This warranty does not apply to normal wear, or to items whose life is dependent on their use and care. Parts not manufactured by PowerBoss are covered by and subject to the warranties and/or guarantees of their manufacturers. Please contact Minuteman International for procedures in warranty claims against these manufacturers.

Special warning to purchaser -- Use of replacement parts not manufactured by PowerBoss or its designated licensees, will void all warranties expressed or implied. A potential health hazard exists without original equipment replacement.

All warranted items become the sole property of Minuteman International or PowerBoss or its original manufacturer, whichever the case may be.

PowerBoss disclaims any implied warranty, including the warranty of merchantability and the warranty of fitness for a particular purpose. PowerBoss assumes no responsibility for any special, incidental or consequential damages.

This limited warranty is applicable only in the U.S.A. and Canada, and is extended only to the original user/purchaser of this product. Customers outside the U.S.A. and Canada should contact their local distributor for export warranty policies. PowerBoss is not responsible for costs or repairs performed by persons other than those specifically authorized by PowerBoss. This warranty does not apply to damage from transportation, alterations by unauthorized persons, misuse or abuse of the equipment, use of non-compatible chemicals, or damage to property, or loss of income due to malfunctions of the product. If a difficulty develops with this machine, you should contact the dealer from whom it was purchased.

This warranty gives you specific legal rights, and you may have other rights, which vary from state to state. Some states do not allow the exclusion or limitation of special, incidental or consequential damages, or limitations on how long an implied warranty lasts, so the above exclusions and limitations may not apply to you.

	Travel *	Labor	Parts	Engine	Extended Warranty	Costs
Walk Behind						****
Battery Sweepers	90 Days	12 months	12 months	N/A	N/A	-
IC Sweepers	90 Days	12 months	12 months	Through Eng. Mfg.	N/A	-
Battery Scrubbers	90 Days	24 months	36 months	N/A	N/A	-
Riders						
Battery Scrubbers	90 Days	24 months	36 months or 2000 hr.	N/A	36 months parts + 24 labor (or 3000 Hours)	5%
IC Sweeper/Scrubbers 82 & 90	90 Days	6 months	24 months or 2000 hr.	24 months or 3000 hrs**	36 months parts + 24 months labor (or 3000 Hours) + 180 days travel	5%
I.C. Sweepers 9X, 10X	90 days	6 months	48 months or 3000 hrs.	60 months or 3000 hrs**	48 months parts + 24 months labor (or 3000 Hours) + 180 days travel	5%
NAUTILUS Scrubber	180 Days	24 months	36 months or 2000 hr.	36 months or 2000 hrs**	48 months parts + 24 months labor (or 3000 Hours) + 180 days travel	3%
All Rider, I.C. (excluding APEX series)					Bumper to Bumper 5000 hr max. 48 months parts, 48 months labor, 180 days travel	8%
Exceptions						
Apex Series Sweeper	90 Days	12 months	12 months or 1000 hr.	12 months or 1000 hrs**	24 months parts + 24 months labor (or 2000 Hours)	5%
6X Sweeper	90 Days	6 months	24 months or 2000 hr.	24 months or 2000 hours**	36 months parts + 24 months labor (or 3000 Hours) + 180 day travel	5%

Tank Bladders Eight years/ no additional labor
Polyethylene plastic tanks Ten years/ no additional labor
Batteries 0-3 months full replacement, 4-12 prorated credit
Chargers One-year replacement
Aftermarket Replacement parts Ninety days from date of purchase

*Two-Hour Cap Per Service Call

**Through Engine Manufacturer. See Section 3 of Warranty Manual for Engine Warranty Exceptions

*** Based Upon Dealer's Certification Status:

Extended Warranty MUST Be Signed Up Within 30 Days of Delivery to End User
 (Dealer Has 1 Year From Receiving Machine To Sign Up For Extended Warranty)

***All above labor and travel reimbursed at 65% or 75% of the published shop rate.



“The Power of Clean”

**PowerBoss® Is A Full Line Manufacturer Of Sweepers and Scrubbers,
For Industrial Facilities.**

PowerBoss® 14N845 U.S. Route 20 Pingree Grove IL 60140
Phone: 800-323-9420 www.PowerBoss.com e-mail: tech@powerboss.com
A Member Of The Hako Group